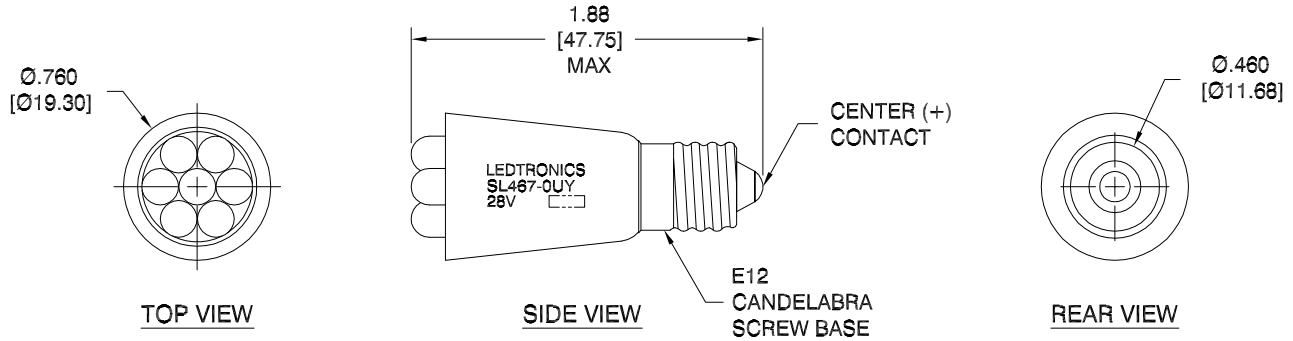


LTR	REVISION	DATE	APPD
-	RELEASED	02-03-20	



NOTES:

1. ALL DIMENSIONS ARE IN INCHES [MILLIMETERS].
2. SLEEVE MATERIAL COLOR: RYNITE FR530 / YELLOW
3. BASE MATERIAL: BRASS, NICKEL PLATED BRASS

REVISION NOTIFICATION	
<input type="checkbox"/>	DLC
<input type="checkbox"/>	UL/ETL
<input type="checkbox"/>	MADE IN USA
<input type="checkbox"/>	CUSTOMER _____
<input type="checkbox"/>	OTHER
REDLINE CHECKLIST	
<input type="checkbox"/>	REDLINE(YES)
<input type="checkbox"/>	DATE: _____
<input type="checkbox"/>	INITIATED BY: _____
<input type="checkbox"/>	ECR REQUIRED YES <input type="checkbox"/> NO <input type="checkbox"/>
<input type="checkbox"/>	WORK ORDER# _____

ELECTRICAL-OPTICAL CHARACTERISTICS (Ta = 25°C)

SL467-0UY-028P	SUPER YELLOW	28Vdc	0.020 A	590nm	30°
LEDTRONICS PART NO.	COLOR EMITTED	INPUT VOLTAGE, V	CURRENT (A)	λ_P nm	VIEWING ANGLE (FULL BEAM WIDTH @ 50% INTENSITY)

 LEDTRONICS,™ INC. 23105 KASHIWA COURT TORRANCE, CA 90505	-PROPRIETARY- This document contains Proprietary information of LEDTRONICS,™ INC. It may not be copied, used or disclosed for any purpose without the prior express written consent of LEDTRONICS,™ INC.		TITLE SL467-0UY-028P			
	.XXX ± .010 TOLERANCE PER ANSI-Y14.5 .XX ± .025 (UNLESS OTHERWISE STATED) ANGLES ± 0°,30' FRACT. ± 1/32		DWG NO	SCALE	SHEET	DATE
	CODE IDENT NO.	DWG BY GP	CHK BY	QA SB	MFG LD	R&D UF
8Z410	02-03-20		02-03-20	02-03-20	02-03-20	