



23105 Kashiwa Court, Torrance, CA 90505
Phone: (800) 579-4875 or (310) 534-1505 Fax: (310) 534-1424
E-mail: info@ledtronics.com
Website: http://www.ledtronics.com

SM110Tx4 (BULK) SM110Tx4-TR (1K/RL)

(3mm) SMD LED; Rt. Angle
Diffused Lens; 6.5mm Height

Mono-colors: Hi-Eff Green, Hi-Eff Red, Hi-Eff Yellow



DWG BY:
MM / GP / HF
02-22-94

R&D:
UF
12-13-24

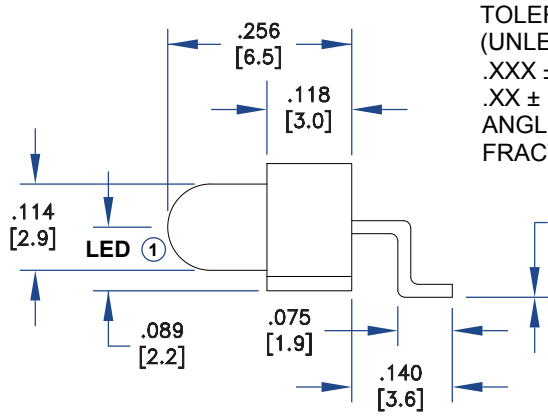
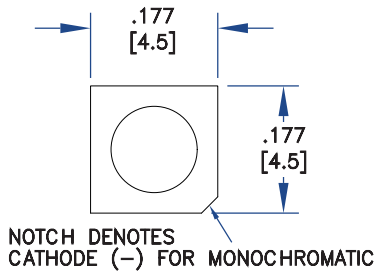
MFG:
PP
12-13-24

QA:
RR
12-13-24

REVISION LTR: K
ECR#: 120524-PP01
12-11-24

● **Dimensions**

BULK ORDER ONLY

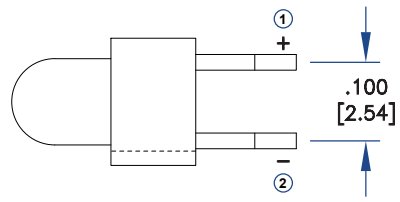
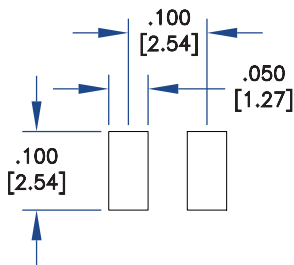


TOLERANCE PER ANSI-Y14.5
(UNLESS OTHERWISE STATED)
.XXX ± .010
.XX ± .025
ANGLES ± 0°, 30'
FRACT. ± 1/32

SPECIALS

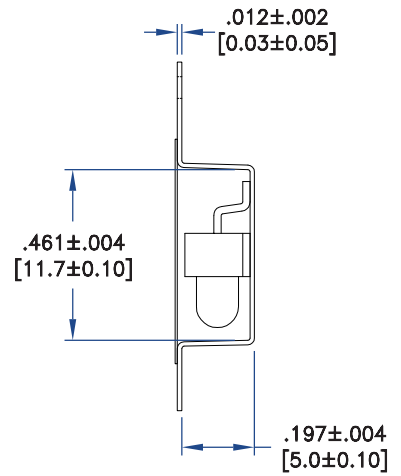
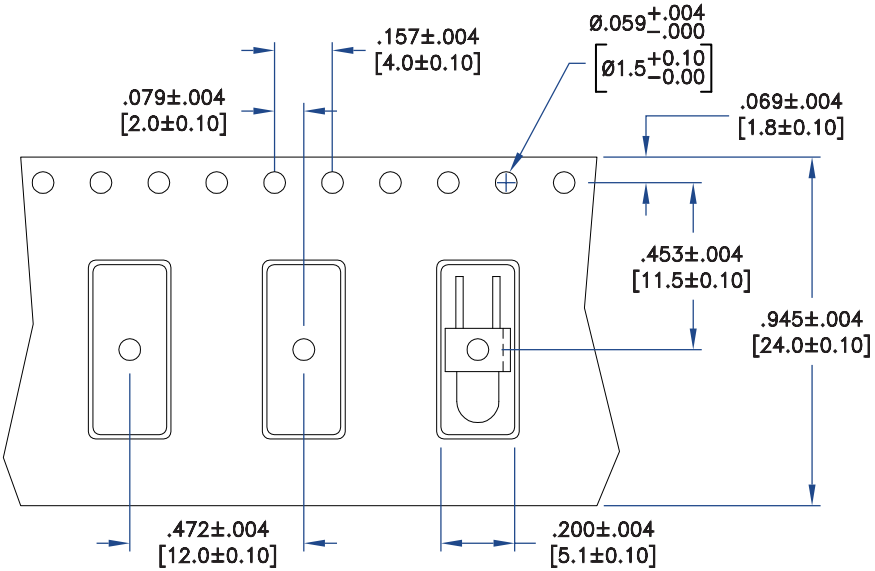
- CLEAR LENS
- OTHER COLORS
- LOW CURRENT

PCB LAYOUT



● **Taping & Packaging Specifications: (Units: Inches [mm])**
Quantity: 1,000 pcs. / reel

TAPE & REEL DATA FOR TAPED PARTS ONLY



L.E.D. POSITION	LEDTRONICS PART NO	L.E.D. EMITTED COLOR	LENS APPEARANCE	PIN NUMBERS [(-), (+)]
1	SM110TG4 SM110TG4-TR	HI-EFF GREEN	GREEN DIFFUSED	① ANODE (+) ② CATHODE (-)
	SM110TR4 SM110TR4-TR	HI-EFF RED	RED DIFFUSED	
	SM110TY4 SM110TY4-TR	YELLOW	YELLOW DIFFUSED	

● Electrical and Optical Characteristics (Ta=25°C)

LEDTRONICS PART NO.	L.E.D RADIATION COLOR	LENS COLOR	I _F = mA typ.	I _V = mcd min./typ.	V _F = V typ./max	Viewing Angle	λ P nm
SM110TG4 SM110TG4-TR	HI-EFF GREEN	GREEN DIFFUSED	10	1.7 / 5.6	2.2 / 2.5	60	565
SM110TR4 SM110TR4-TR	HI-EFF RED	RED DIFFUSED	10	1.7 / 5.6	2.0 / 2.5	60	630
SM110TY4 SM110TY4-TR	YELLOW	YELLOW DIFFUSED	10	1.7 / 5.5	2.1 / 2.5	60	590

● Readings for Low Current - Electrical and Optical Characteristics (Ta=25°C)

LEDTRONICS PART NO.	L.E.D RADIATION COLOR	LENS COLOR	I _F = mA typ.	I _V = mcd min./typ.	V _F = V typ./max	Viewing Angle	λ P nm
SM110TG4 SM110TG4-TR	HI-EFF GREEN	GREEN DIFFUSED	2	0.7 / 1.4	1.8 / 2.4	60	565
SM110TR4 SM110TR4-TR	HI-EFF RED	RED DIFFUSED	2	0.4 / 0.8	1.7 / 2.4	60	630
SM110TY4 SM110TY4-TR	YELLOW	YELLOW DIFFUSED	2	0.7 / 1.4	1.8 / 2.4	60	590

NOTES:

1. ALL DIMENSIONS ARE IN INCHES [MILLIMETERS].
2. DIAMETER OF TAPE REEL TO BE 13" DIA., 30mm WIDE.
3. 1000 pcs. PER REEL.
4. REEL MATERIAL: BLACK CONDUCTIVE POLYSTYRENE.
5. TAPE & REEL IN ACCORDANCE WITH EIA-STD-481
6. RECOMMENDED FOR HAND SOLDERING ONLY.
7. LEAD COPLANARITY WILL BE PER THE SPECS.
8. **BASE MATERIAL / COLOR: NYLON / BLACK**