

# 5269-N



Color:  Black

UPC Code: 07847785157

Country Of Origin: Mexico

NEMA:  
5-15R



## Brand Features

When it comes to the demanding nature of today's commercial and industrial electrical environments, ruggedness and ease of installation are the features you look for first in any line of plugs and connectors. Leviton's Python straight-blade plugs and connectors hold up under the most exacting requirements, the toughest conditions, the roughest handling. Python's exceptional design features meet your needs for a quick, easy-to-wire plug and connector system, a must in today's faced-paced world where lost minutes on a job can translate into lost profits.

## Item Description

15 Amp, 125 Volt, NEMA 5-15R, 2P, 3W, Connector, Straight Blade, Industrial Grade, Grounding - BLACK

## Technical Information

### Electrical Specifications

**Grounding:** Grounding

**Amperage:** 15 A

**Voltage:** 125 VAC

**Pole:** 2

**Wire:** 3

**Temperature Rise:** Max 30C after 250 cycles OL at 200 percent rated current

**Dielectric Voltage:** Withstands 2000V per UL498

**Current Interrupting:** Certified for current interrupting at full rated current

### Environmental Specifications

**Flammability:** Rated HB or better UL94

**Operating Temperature:** -40°C to 60°C

**Environment:** Dry

### Material Specifications

**Body Material:** Impact Modified Nylon

**Back Cover:** Thermoplastic

**Wire Module:** Nylon

**Cord-Clamp:** Nylon

**Clamp Insert:** Nylon

**Blades/Contacts:** Solid Brass

**Terminal Screws:** Brass

**Assembly Screws:** Steel, Zinc Plated

**Color:** Black

### Mechanical Specifications

**Terminal ID:** Brass-Hot, Green-Ground, Silver-Neutral

**Terminal Accom.:** 18-10 AWG

**Product ID:** Ratings and NEMA I.D. permanently marked on device

**Cord Range:** .245 - .700

### Product Features

**NEMA:** 5-15R

**Color:** Black

**Brand:** Python

**Device Type:** Straight Blade Connector

### Standards and Certifications

**NEMA:** WD-6

**ANSI:** C-73

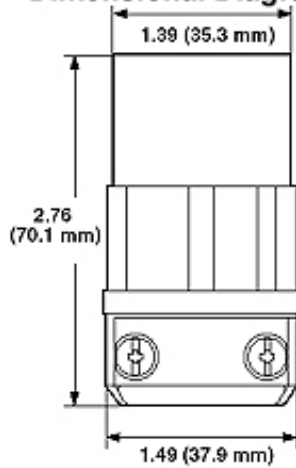
**UL 498:** File E13399

**CSA C22.2 No. 42:** File LR-406

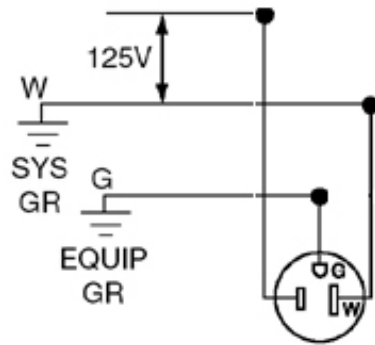
**NOM:** 057

**Warranty:** Lifetime Warranty

### Dimensional Diagram



### Wiring Diagram



5-15R

### SPECIFICATION SUBMITTAL

JOB NAME: <input type="text"/>	CATALOG NUMBERS: <input type="text"/>	
JOB NUMBER: <input type="text"/>	<input type="text"/>	<input type="text"/>

#### Leviton Manufacturing Co., Inc.

201 North Service Road, Melville, NY 11747

Teléfono: +1-800-323-8920 · FAX: +1-800-832-9538 · Tech Line (8:30AM-7:30PM E.S.T. Monday-Friday): +1-800-824-3005

#### Leviton Manufacturing of Canada, Ltd.

165 Hymus Boulevard, Pointe Claire, Quebec H9R 1E9 · Telephone: +1-800-469-7890 ·

FAX: +1-800-824-3005 · [www.leviton.com/canada](http://www.leviton.com/canada)

#### Leviton S. de R.L. de C.V.

Lago Tana 43, Mexico DF, Mexico CP 11290 · Tel.: (+52)55-5082-1040 · FAX: (+52)5386-

1797 · [www.leviton.com.mx](http://www.leviton.com.mx)

Visit our Website at: [www.leviton.com](http://www.leviton.com)

© 2018 Leviton Manufacturing Co., Inc. Todos los derechos reservados. Subject to change without notice.

#### Leviton has a global presence.

If you would like to know where your local Leviton office is located please go to:

[www.leviton.com/international/contacts/](http://www.leviton.com/international/contacts/)

