

# Product data sheet

Specifications



## Power relay, SE Relays, DPST, 40A, 24 VAC, open type, heavy duty

199AX-8

**Product availability: Non-Stock - Not normally stocked in distribution facility**

### Main

|                     |             |
|---------------------|-------------|
| Product Type        | Power relay |
| Switch Function     | DPST-NO     |
| Contact Composition | 2 NO        |
| Cover Type          | Open cover  |

### Complementary

|                            |  |
|----------------------------|--|
| Input Current              | 40 A   |
| Short Circuit Current      | 3 kA   |
| Associated Fuse Rating     | 50 A gG at 690 V coordination type 2 for power circuit   |
| Average Pole Impedance     | 4 mOhm   |
| Contacts Material          | Silver alloy contacts  |
| Wire Strip Length          | 0.3 in (8 mm)  |
| Rated Operational Voltage  | 6...600 V AC 50-60 Hz<br>6...250 V DC  |
| Minimum Switching Current  | 1000 mA 5 V AC/DC  |
| Coil Resistance            | 12 Ohm   |
| Input voltage              | 24 V AC  |
| Drop-out Voltage Threshold | $\geq 0.1 U_c$ AC/DC   |
| Rated Operational Current  | 40 A at 300 V AC (on resistive load) conforming to UL<br>40 A at 28 V DC (on resistive load) conforming to UL<br>5 A at 480 V AC (on resistive load) conforming to UL<br>5 A at 600 V AC (on resistive load) conforming to UL<br>15 A at 120 V AC (tungsten filament) conforming to UL |
| Power consumption in W     | 4 W DC   |
| Power consumption in VA    | 10 VA AC   |
| Voltage Range              | 0.85...1.1 $U_n$ AC/DC   |
| Maximum Switching Voltage  | 600 V AC   |
| Motor Power HP             | 2 hp 120...600 V AC 50/60 Hz   |
| Connections Terminals      | screw terminal - 1 x 0.009 in <sup>2</sup> (6 mm <sup>2</sup> )  |
| Terminal Tightening Torque | 10.6...15.05 lbf.in (1.2...1.7 N.m)  |

### Environment

|                                       |                             |
|---------------------------------------|-----------------------------|
| Ambient Air Temperature for Operation | -67...131 °F (-55...55 °C)  |
| Ambient Air Temperature for Storage   | -67...212 °F (-55...100 °C) |

Price is "List Price" and may be subject to a trade discount – check with your local distributor or retailer for actual price.

|                               |  |
|-------------------------------|--|
| <b>Product Certifications</b> | UL Listed<br>CSA<br>CE   |
| <b>Electrical Durability</b>  | 50000 cycles resistive   |
| <b>Dielectric Strength</b>    | 2200 V AC between coil and contact<br>2200 V AC between poles<br>1500 V AC between open contacts |

## Ordering and shipping details

|                          |               |
|--------------------------|---------------|
| <b>Category</b>          | US10CP221127  |
| <b>Discount Schedule</b> | 0CP2          |
| <b>GTIN</b>              | 3606480275869 |
| <b>Returnability</b>     | No            |
| <b>Country of origin</b> | CN            |

## Packing Units

|                                     |                   |
|-------------------------------------|-------------------|
| <b>Unit Type of Package 1</b>       | PCE               |
| <b>Number of Units in Package 1</b> | 1                 |
| <b>Package 1 Height</b>             | 2.50 in (6.36 cm) |
| <b>Package 1 Width</b>              | 2.49 in (6.32 cm) |
| <b>Package 1 Length</b>             | 1.95 in (4.96 cm) |
| <b>Package 1 Weight</b>             | 10.4 oz (295 g)   |

## Environmental Data

Schneider Electric aims to achieve Net Zero status by 2050 through supply chain partnerships, lower impact materials, and circularity via our ongoing "Use Better, Use Longer, Use Again" campaign to extend product lifetimes and recyclability.

[Environmental Data explained >](#)

[How we assess product sustainability >](#)

### Environmental footprint

[Environmental Disclosure](#)

[Product Environmental Profile](#)

## Use Better

### Materials and Substances

Packaging without single use plastic

No

[EU RoHS Directive](#)

Pro-active compliance (Product out of EU RoHS legal scope)

REACH Regulation

[REACH Declaration](#)

California proposition 65

**WARNING:** This product can expose you to chemicals including: Nickel compounds, which is known to the State of California to cause cancer, and Di-isodecyl phthalate (DIDP), which is known to the State of California to cause birth defects or other reproductive harm. For more information go to [www.P65Warnings.ca.gov](http://www.P65Warnings.ca.gov)


## Use Again

### Repack and remanufacture

Circularity Profile

No need of specific recycling operations

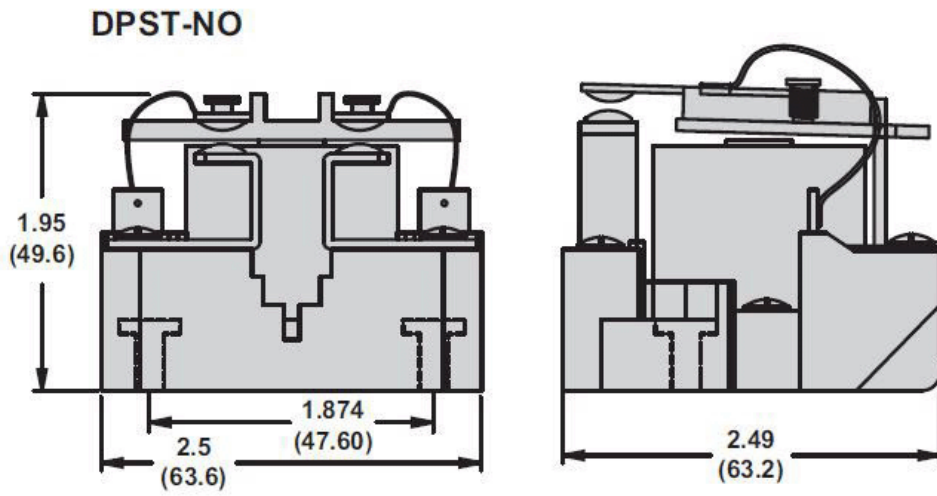
WEEE

 The product must be disposed on European Union markets following specific waste collection and never end up in rubbish bins.

Dimensions Drawings

Approximate Dimensions

---



Connections and Schema

Connections and Wiring Diagrams

---

