

Product data sheet

Specifications



Relay, SE Relays, solid state, SPST
NO, 20A, 24...480 VAC, 90...280
VAC U_c, SCR, AC zero cross, 22
mmm

SSR220DIN-AC22

! Discontinued

! Discontinued on: Oct 22, 2024

**Product availability: Non-Stock - Not normally stocked in
distribution facility**

Main

Range	Legacy
Product Type	Solid state relay
maximum output current	20 A
Mounting Support	Panel DIN rail
Network Number of Phases	1 phase
Output Voltage	24...280 V AC

Complementary

Input Current Limits	5 mA at 240 V AC typical
Switch Function	SPST
Contacts Type and Composition	NO
Tightening Torque	0.6...0.7 N.m for input 0.6...0.7 N.m for output
Connections Terminals	Input screw AWG 10) Output screw AWG 10)
Local Signalling	1 LED (green) for input status
Switching Voltage	110 V AC turn-on 18 V AC turn-off
Switching Device	SCR output Zero voltage switching
Maximum Peak Voltage	600 V
Surge Current	250 A 16.6 ms
Voltage Drop	<1.6 V on-state
Maximum I ² t for fusing	260 A ² .s 8.3 ms
Leakage Current	10 mA at off-state
DV/dt	500 V/μs off-state maximum
Response Time	10 ms (turn-on) 40 ms (turn-off)
Height	3.8 in (97.7 mm)
Width	0.9 in (22.4 mm)

Price is "List Price" and may be subject to a trade discount – check with your local distributor or retailer for actual price.

Depth	3.1 in (80 mm)
Product Weight	9.9 oz (280 g)

Environment

Product Certifications	CSA CE
Ambient Air Temperature for Operation	-40...176 °F (-40...80 °C)
Ambient Air Temperature for Storage	-40...257 °F (-40...125 °C)

Ordering and shipping details

Category	US10CP221127
Discount Schedule	0CP2
GTIN	3606480282782
Returnability	No
Country of origin	CN

Packing Units

Unit Type of Package 1	PCE
Number of Units in Package 1	1
Package 1 Height	3.53 in (8.97 cm)
Package 1 Width	0.88 in (2.24 cm)
Package 1 Length	3.85 in (9.77 cm)
Package 1 Weight	9.6 oz (272.0 g)


Environmental Data

Schneider Electric aims to achieve Net Zero status by 2050 through supply chain partnerships, lower impact materials, and circularity via our ongoing "Use Better, Use Longer, Use Again" campaign to extend product lifetimes and recyclability.

[Environmental Data explained >](#)

[How we assess product sustainability >](#)

Use Better

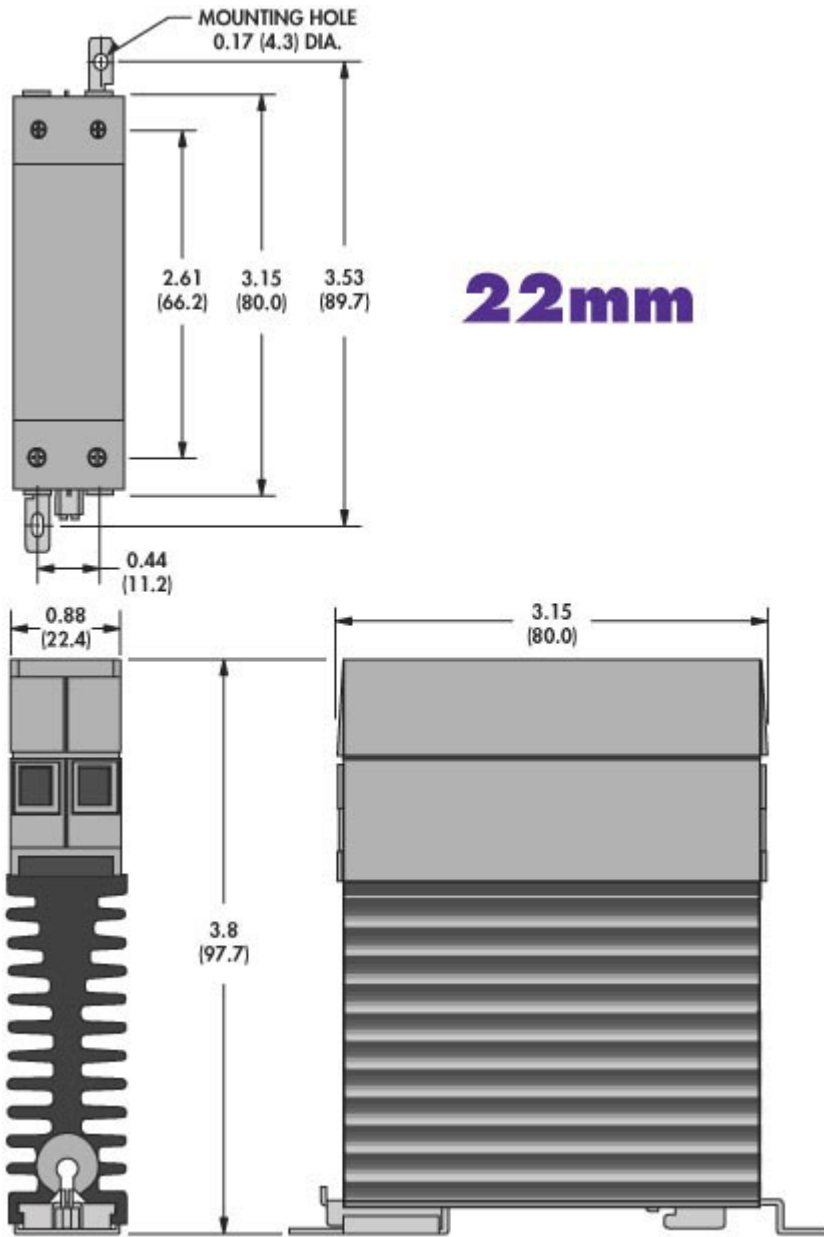
 Materials and Substances	
Packaging without single use plastic	Yes
EU RoHS Directive	Pro-active compliance (Product out of EU RoHS legal scope)
SCIP Number	134201bc-d293-4667-9cca-10a7f11729e0
California proposition 65	WARNING: This product can expose you to chemicals including: Lead and lead compounds, which is known to the State of California to cause cancer and birth defects or other reproductive harm. For more information go to www.P65Warnings.ca.gov

Use Again

 Repack and remanufacture	
WEEE	 The product must be disposed on European Union markets following specific waste collection and never end up in rubbish bins.

Dimensions Drawings

Approximate Dimensions



Connections and Schema

Connections and Wiring Diagrams

