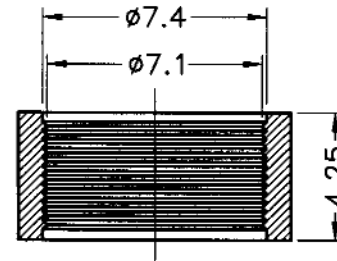
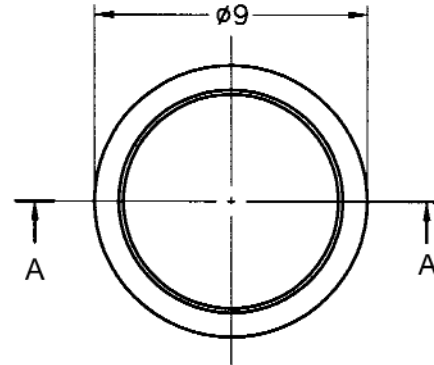


**Mounting Hole:  $\phi 6.7$**



SECTION A-A

**Material: NYLON 66 UL94V-2**

TITLE		SCALE
<b>5mm LED HOLDER</b>		<b>NTS</b>
DRAWING NO. <b>55-550</b>		
		UNITS <b>mm</b>
FILE NAME <b>55-550.pdf</b>		SHEET <b>1/1</b>