

# MIH Series

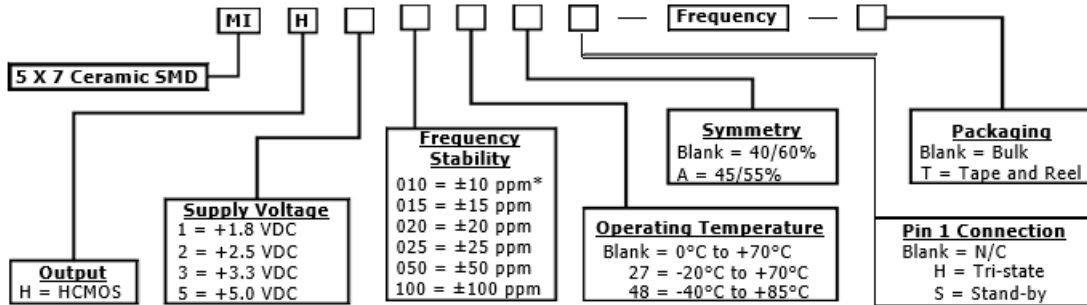


- **Low Profile SMD Package**
- **Hermetically Sealed**
- **RoHS Compliant**
- **Wide Frequency Range**



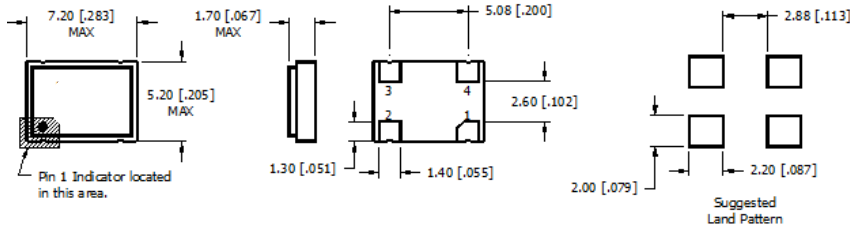
Frequency Range	1.500MHZ to 156.250MHZ			
Temperature Stability*	(See Part Number Guide for Options)			
Operating Temperature Range	(See Part Number Guide for Options)			
Storage Temperature Range	-55°C to +125°C			
Aging (+25°C ±3°C)	±5ppm for first year			
Waveform	HCMOS			
Supply Voltage ±5% (Vdd)	+1.80 VDC	+2.50 VDC	+3.30 VDC	+5.00 VDC
Supply Current	15mA	40mA	40mA	70mA
Load	15pF	15pF	10 TTL Gates or 30pF	10 TTL Gates or 50pF
Logic "0"	10% Vdd max			
Logic "1"	90% Vdd min			
Rise/Fall Time (10% to 90% of Supply Voltage)	4nSec			
Symmetry (50% of waveform)	40%/60% (45%/55% optional)			
Start-up Time	10mSec max			
Jitter (RMS)	Less than 1 pSec			
Tri-State Operation	Vih = 70% of Vdd min to Enable Output Vil = 30% max or grounded to Disable Output (High Impedance)			
Standby Current Consumption	10uA			
* Inclusive of Temperature., Load and Voltage				

### Part Number Guide



Please Consult with MMD Sales Department for any other Parameters or Options  
\* Not available in +1.8 VDC and +2.5 VDC

### Mechanical Details



Pin Connections	
Pin 1	N/C, Tri-state or Stand by
Pin 2	Case Ground
Pin 3	Output
Pin 4	Supply Voltage

- Notes:
1. Dimensions in brackets are in inches.
  2. An External Bypass Capacitor is recommended.
  3. Pads plating  
Base or under conductor Ni thickness: 1.3 um to 8.8 um  
Final plating: Au (99.9%) less than 0.5 um, 0.3 um typ

### Tape & Reel Dimensions

