

PLEASE CHECK WWW.MOLEX.COM FOR LATEST PART INFORMATION

Part Number: [0512810594](#)
Status: **Active**
Overview: [FFC-FPC \(SMT\)](#)
Description: 0.50mm Pitch FFC/FPC Connector, Surface Mount, Right Angle, Non-ZIF, Dual Contact Style, 1.20mm Mated Height, 5 Circuits, Gold (Au) Plating

Documents:

[3D Model](#) [Packaging Specification SPK-51281-001-001 \(PDF\)](#)
[Drawing \(PDF\)](#) [RoHS Certificate of Compliance \(PDF\)](#)
[Product Specification PS-51281-003-001 \(PDF\)](#)

General

Product Family [FFC/FPC Connectors](#)
Series [51281](#)
Overview [FFC-FPC \(SMT\)](#)
Product Name [Non-ZIF](#)
UPC [822348700110](#)

Physical

Circuits (Loaded) [5](#)
Color - Resin [Natural](#)
Contact Position [Dual](#)
Durability (mating cycles max) [20](#)
Entry Angle [90° Angle](#)
Mated Height [1.20mm](#)
Material - Metal [Phosphor Bronze](#)
Material - Plating Mating [Gold](#)
Material - Plating Termination [Tin](#)
Net Weight [46.619/mg](#)
Number of Rows [1](#)
Orientation [Right Angle](#)
PCB Locator [No](#)
PCB Retention [Yes](#)
Packaging Type [Embossed Tape on Reel](#)
Pitch - Mating Interface [0.50mm](#)
Plating min - Mating [0.102µm](#)
Plating min - Termination [1.016µm](#)
Polarized to PCB [Yes](#)
Stackable [No](#)
Surface Mount Compatible (SMC) [N/A](#)
Temperature Range - Operating [-20°C to +85°C](#)
Termination Interface: Style [Surface Mount](#)
Wire/Cable Type [FFC/FPC](#)

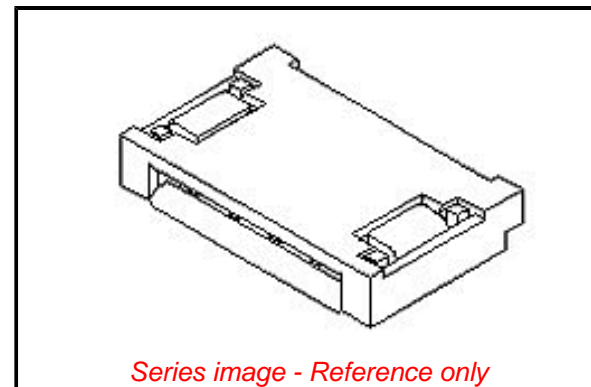
Electrical

Current - Maximum per Contact [0.5A](#)
Voltage - Maximum [50V](#)

Material Info

Reference - Drawing Numbers

[Packaging Specification](#) [SPK-51281-001-001](#)
[Product Specification](#) [PS-51281-003-001](#)
[Sales Drawing](#) [SD-51281-011, SD-51281-012](#)



EU ELV

Not Relevant

EU RoHS

Compliant

REACH SVHC

Not Contained Per -
ED/30/2017 (7 July
2017)

Halogen-Free

Status

Low-Halogen

Need more information on product environmental compliance?

Email productcompliance@molex.com
Please visit the [Contact Us](#) section for any non-product compliance questions.

China ROHS

ELV

RoHS Phthalates

Green Image

Not Relevant

Not Contained

Search Parts in this Series

[51281 Series](#)

PLEASE CHECK WWW.MOLEX.COM FOR LATEST PART INFORMATION