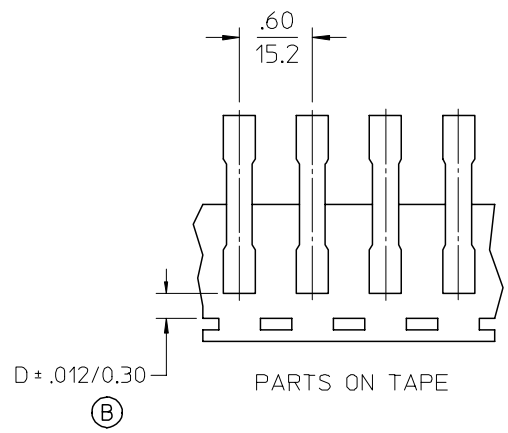
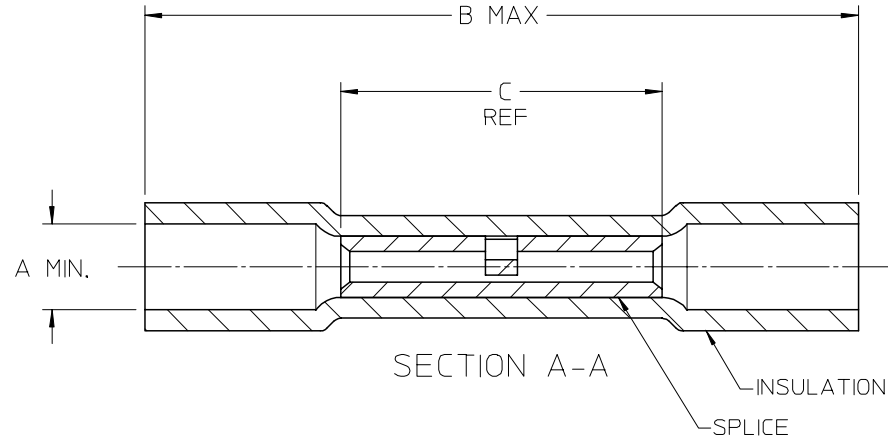
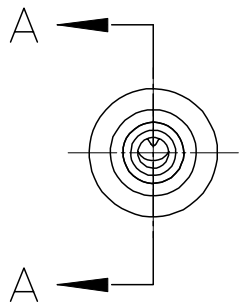
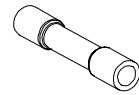


10	9	8	7	6	5	4	3	2
LOOSE PIECE	TAPE MOUNTED	WIRE SIZE	DIM A (I.D.) MIN.	DIM B MAX.	DIM C REF.	DIM D ±.012/0.30		
190400001	190400006	22-18 AWG	∅.190/4.83	1.54/39.1	.66/16.8	.35/8.9		
190400002	190400007	16-14 AWG	∅.200/5.08	1.54/39.1	.66/16.8	.30/7.6		
190400003	190400008	12-10 AWG	∅.280/7.11	1.77/45.0	.81/20.6	.35/8.9		
190400004	190400009	8 AWG	∅.305/7.75	2.09/53.1	.84/21.3	.30/7.6		
190400005	190400010	6 AWG	TBD	TBD	1.02/25.9	.30/7.6		



- NOTES:  
 1. SPLICE MATERIAL: COPPER  
 2. SPLICE PLATING: ELECTRO-TIN  
 3. INSULATION MATERIAL: POLYOLEFIN

REVISED DIMENSION EC NO: ETC2005-0068 DRWN: BENDERLE2004/10/26 CHKD: R DEROSS2004/10/26 APPR: RDEROSS 2004/10/27	QUALITY SYMBOLS	GENERAL TOLERANCES (UNLESS SPECIFIED)		SCALE 4:1	DESIGN UNITS INCH	THIRD ANGLE PROJECTION	REVISE ON CAD ONLY
	DESCRIPTION	mm	INCH	DIMENSION STYLE IN/MM		TITLE HEAT SHRINK TERMINAL BUTT SPLICE ASSEMBLY	
	▽ = 0	4 PLACES ± --- ± ---	3 PLACES ± --- ± .005	DRAWN BY BRUPERT	DATE 01/07/25	MATERIAL NO. SEE CHART	
	▽ = 0	2 PLACES ± 0.13 ± .01	1 PLACE ± 0.3 ± ---	CHECKED BY JPAWLICK	DATE 01/07/27	DOCUMENT NO. SD-19040-002	
	ANGULAR ± 1 °	DRAFT WHERE APPLICABLE		APPROVED BY RDEROSS	DATE 01/07/30	SHEET NO. 1 OF 1	
		MUST REMAIN WITHIN DIMENSIONS		THIS DRAWING CONTAINS INFORMATION THAT IS PROPRIETARY TO MOLEX INCORPORATED AND SHOULD NOT BE USED WITHOUT WRITTEN PERMISSION			