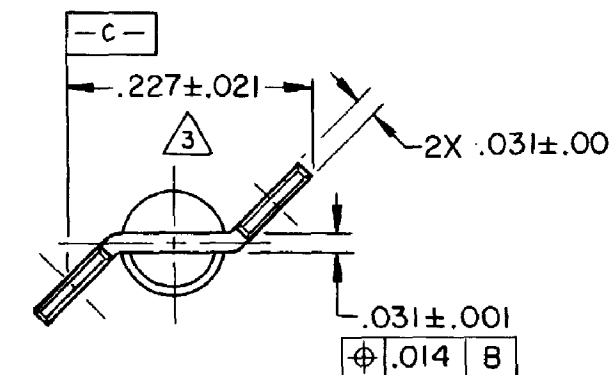
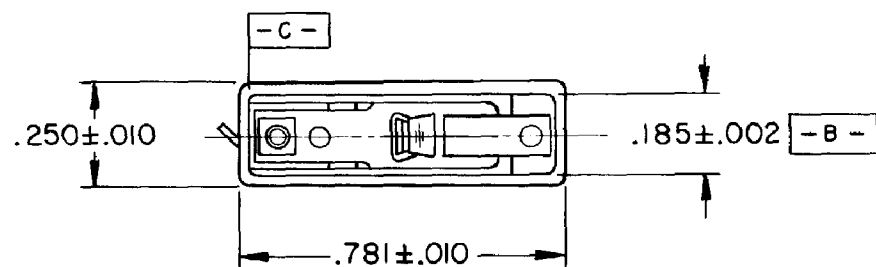
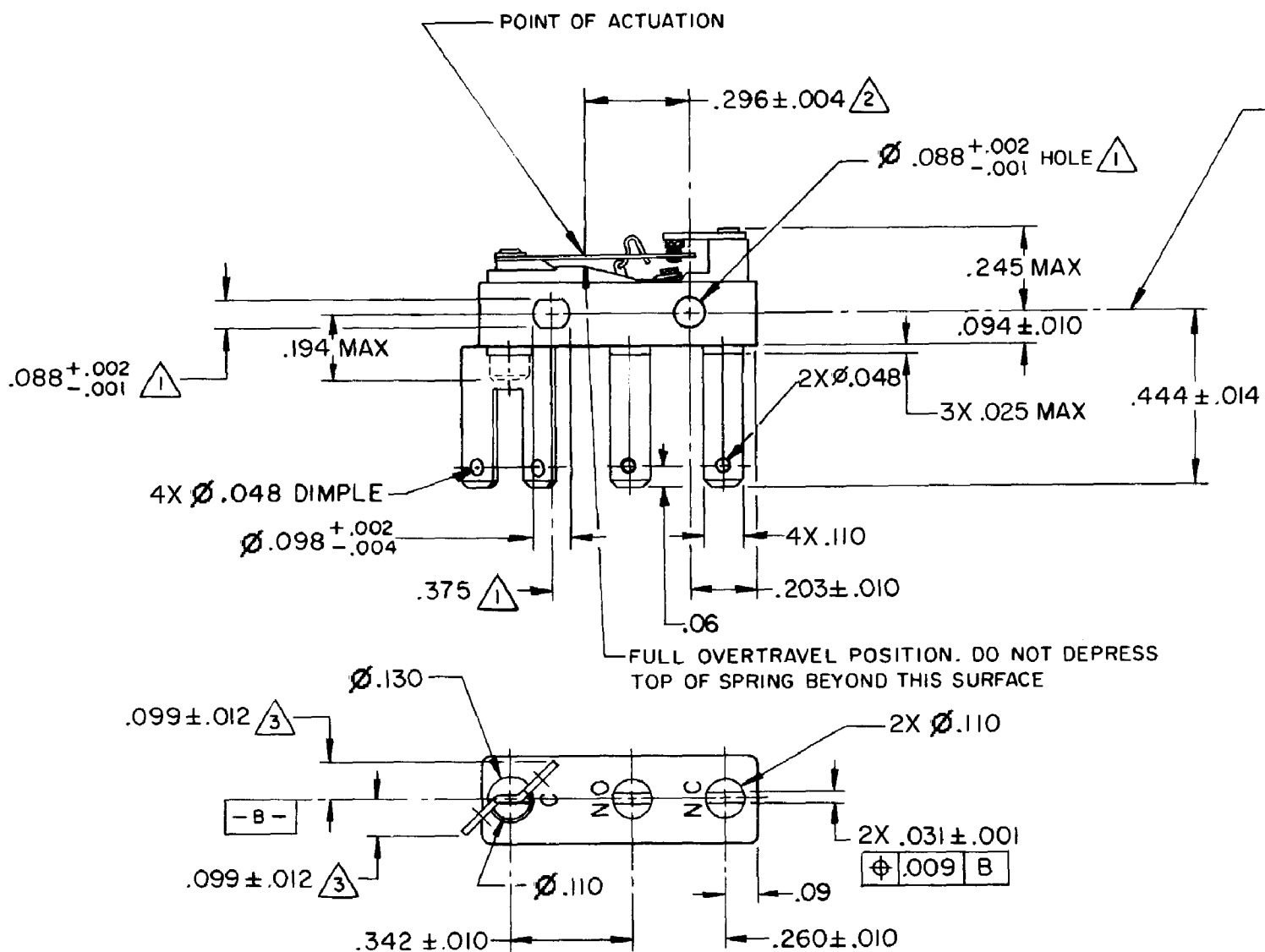


HONEYWELL PART NUMBER
11SM44-H7
PRODUCT CODE TWT4302
JG-80231

REV	DOCUMENT	CHANGED BY	CHECK
17	0038442	SSK 31MAR08	BLR



TERMINAL DETAIL



WHEN OPERATED AT THE SPECIFIED ACTUATION POINT, THE OPERATING POSITION WILL BE .136 ± .015 ABOVE ϕ OF MTG HOLES

NOTES

- 1 MOUNTING HOLES WILL ACCEPT PINS OR SCREWS OF ϕ .087 MAX ON .375 ± .002 CENTERS
- 2 THE FOLLOWING CHARACTERISTICS MUST BE MET WITH SM BASIC IN OIL TIGHT DEVICE TO ATTAIN - 1,000,000 MECHANICAL CYCLES
 - A - OPERATING LEVER MUST ACTUATE WITHIN .296 ± .004 FROM ROUND MOUNTING HOLE
 - B - DEVICE MUST BE FULLY OVERTRAVELED
 - C - DEVICE MUST HAVE 0.004 RELEASED TRAVEL
 - D - TOTAL TRAVEL .024 MAX
- 3 MEASURED FLUSH WITH CASE
- 4 - COMMON TERMINAL TO WITHSTAND 15 LB FORCE APPLIED LONGITUDINALLY
- 5 - SILVER PLATED TERMINALS

RELEASE NO.	PR-2115
REPLACES	-

CHARACTERISTICS	
OPERATING FORCE --	3 - 5 OZ
RELEASE FORCE - - - -	1 OZ MIN
DIFFERENTIAL TRAVEL - - -	.004 MAX
OVERTRAVEL - - - - -	Δ .005 MIN

ELECTRICAL DATA	
CONTACT ARRANGEMENT SPDT	

DESIGN UNITS: INCH	
TOLERANCES UNLESS NOTED:	
NO PLACE	X ±
ONE PLACE	.X ±
TWO PLACE	.XX ±
THREE PLACE	.XXX ±
FOUR PLACE	.XXXX ±
ANGLES	±

THIRD ANGLE PROJECTION

DRAWN	VK	28 JAN 08
CHECK	RJ	28 JAN 08
THIS DRAWING COVERS A PROPRIETARY ITEM AND IS THE PROPERTY OF HONEYWELL. THIS DRAWING IS NOT TO BE COPIED OR USED WITHOUT THE PERMISSION OF HONEYWELL.		
INTERPRET PER ANSI Y14.5M-1982 OTHER HONEYWELL ENGINEERING STANDARDS MAY APPLY		
RASTER		

Honeywell			
TITLE SWITCH - BASIC			
SIZE	TYPE	DRAWING NAME	REV
B	I	11SM44-H7	17
SCALE	-	WEIGHT .006 LB MAX	SHEET 1 OF 1