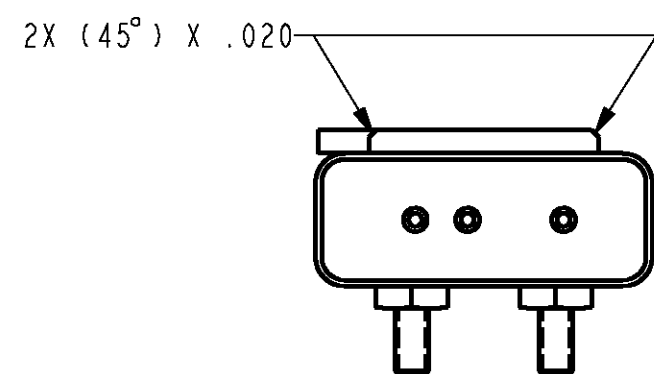
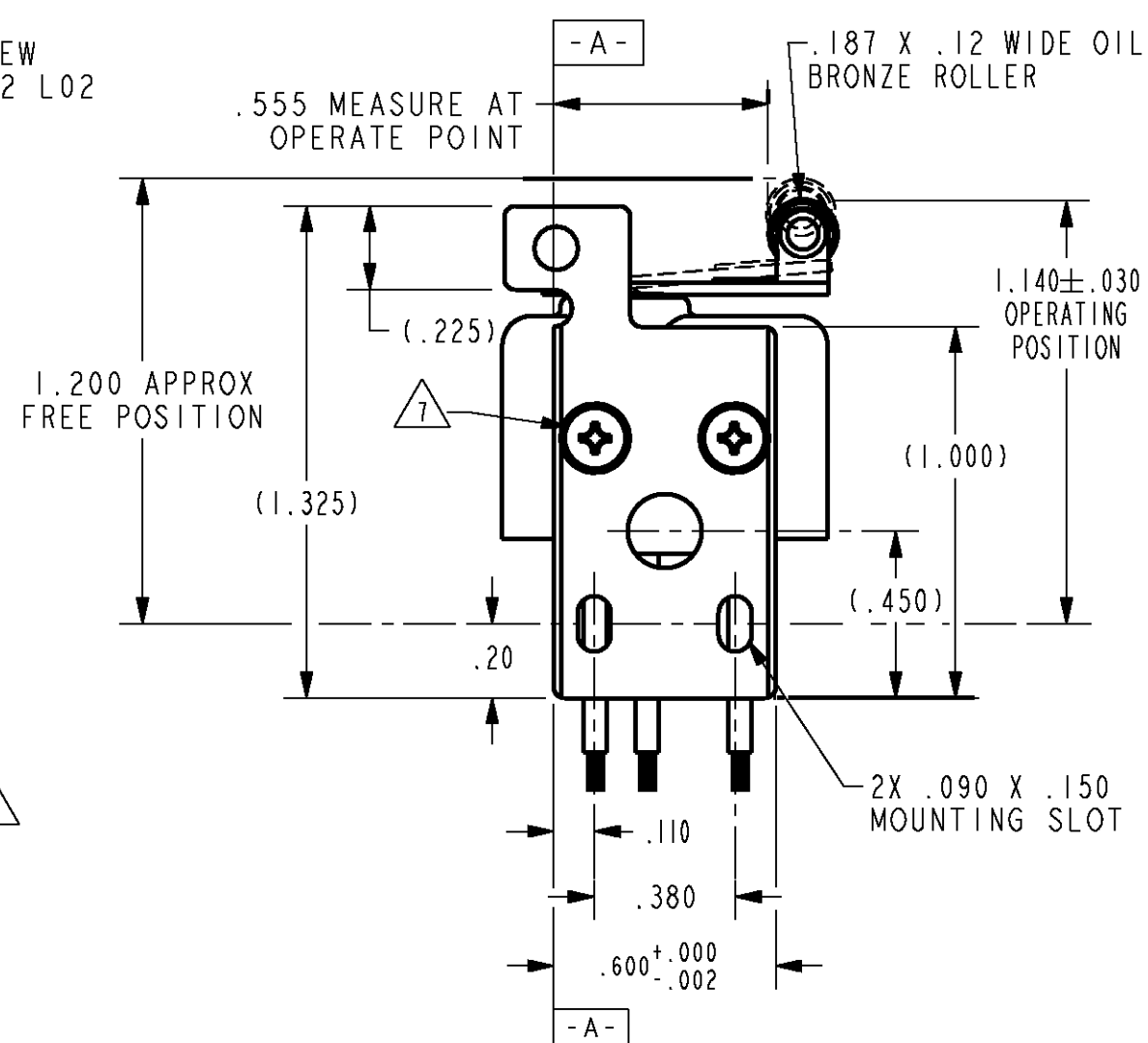
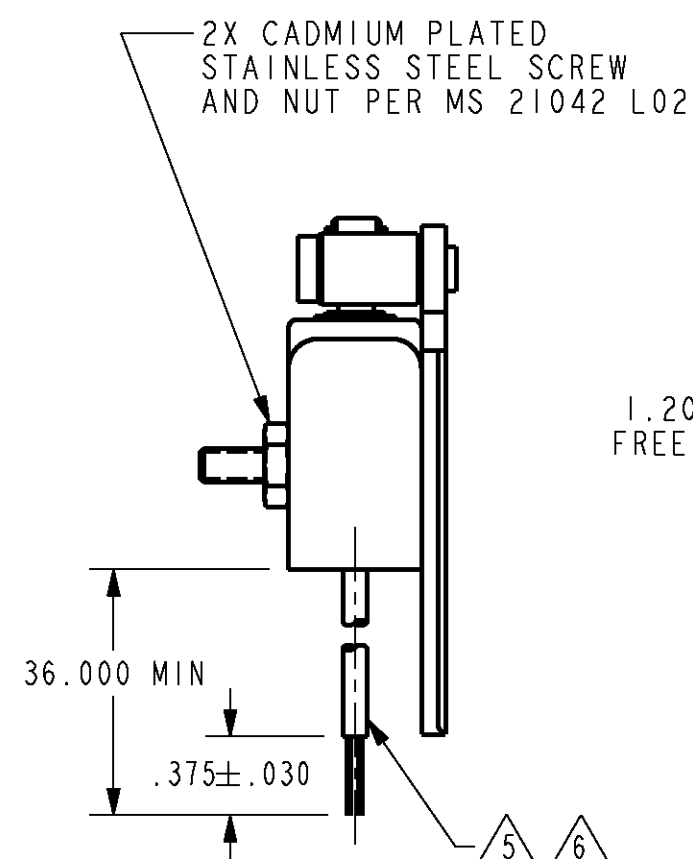
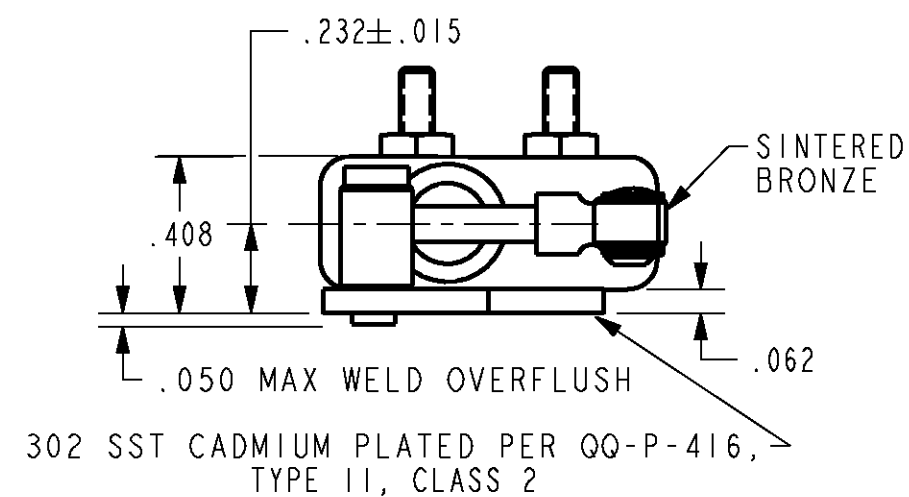


M

39SE9

SPECIFICATION DETAILS:

STANDARD:	CONFORMS TO MS27994-1 (MIL-S-8805/32), EXCEPT AS NOTED		
CONSTRUCTION:			
ENCLOSURE DESIGN	WATERTIGHT SEAL PER MIL-S-8805, SYMBOL 3		
CONTACT MATERIAL & CONFIGURATION	SMOOTH SILVER CONTACTS		
CIRCUIT CONFIGURATION	S.P.D.T.		
TERMINATION	LEADWIRES PER MIL-W-22759/11		
WEIGHT	2.0 OZ MAX		
EXPOSED METALS	CORROSION RESISTANT EXCEPT OIL BRONZE ROLLER		
ELECTRICAL CHARACTERISTICS:			
MAX ELECTRICAL RATINGS			
	VOLTAGE	RESISTIVE	INDUCTIVE
-SEA LEVEL	28 VDC	5.0A	3.0A
-50,000 FEET	28 VDC	5.0A	2.5A
DIELECTRIC STRENGTH & INSULATION RESISTANCE			
	DIELECTRIC STRENGTH (60 Hz FOR 5 SECONDS)		INSULATION RESISTANCE (500 VDC $\pm 10\%$)
-BETWEEN TERMINALS AND EXPOSED NON-CURRENT CARRYING METAL	1000 V Rms, 500 μ A MAX		1000 Megohms
-BETWEEN TERMINALS OF MUTUALLY INSULATED CIRCUITS	:		:
-BETWEEN ALL UNCONNECTED TERMINALS OF THE SAME POLE	:		:
SWITCH RESISTANCE	N/A		
RECOMMENDATION FOR USE IN APPLICATIONS LESS THAN .5 amps AND/OR 12 volts $\triangle 1$	ACCEPTABLE $\triangle 2$		
MECHANICAL CHARACTERISTICS:			
OPERATING FORCE	6 OZ MAX		
RELEASE FORCE	2 OZ MIN		
DIFFERENTIAL TRAVEL	.016 MAX		
OVERTRAVEL	.010 MIN		
MOUNTING STRENGTH	N/A		
ACTUATOR STRENGTH	N/A		
LIFE:			
MECHANICAL LIFE	25,000 MIN PER MIL-S-8805/32 $\triangle 3$		
ELECTRICAL LIFE AT FULL RATED LOAD	25,000 MIN PER MIL-S-8805/32 $\triangle 3$		
ENVIRONMENTAL:			
TEMPERATURE RANGE	-55° C TO +85° C		
ALTITUDE RANGE	SEA LEVEL TO 50,000 FEET		
SHOCK	PER MIL-S-8805, (SYMBOL M - 100 g)		
VIBRATION	PER MIL-S-8805, (SYMBOL 2 - 10-2000 Hz. & 15 g PEAK)		
MOISTURE RESISTANCE	PER MIL-S-8805, (10 DAY TEST)#		
THERMAL SHOCK	PER MIL-S-8805, (5 CYCLE TEST)		
SALT SPRAY	PER MIL-S-8805, (96 HOUR TEST)		
PREDICTED LIFE RATINGS BEYOND MIL-S-8805 REQUIREMENTS:			
MECHANICAL LIFE	150,000		
ELECTRICAL LIFE AT 28VDC, 350mA	150,000		



NOTE:

- $\triangle 1$ CONTACT HONEYWELL-MICRO SWITCH IF ADDITIONAL INFORMATION ON LOW ENERGY LOADS IS REQUIRED OR FOR HELP WITH SPECIFIC APPLICATIONS.
- $\triangle 2$ PREFERRED, ACCEPTABLE, OR NOT RECOMMENDED
- $\triangle 3$ LIFE RATINGS ARE PER MIL-S-8805 REQUIREMENTS. ACTUAL LIFE EXCEEDS RATED LIFE. CONTACT HONEYWELL-MICRO SWITCH FOR ADDITIONAL DATA.
- 4 ASSEMBLY INCLUDES AN SE TYPE BASIC SWITCH WITH SILVER CONTACTS AND SPECIAL ACTUATOR AND MOUNTING BRACKET.
- $\triangle 5$ 3X NO. 22 WIRE LEAD PER MIL-W-22759/11 MARKED WITH CIRCUIT IDENTIFICATION AND GAGE (C-22, NO-22, NC-22) AND EMBEDDED IN EPOXY CASTING RESIN.
- $\triangle 6$ WIRE LEAD COLOR IS WHITE TO INDICATE SILVER CONTACT SWITCH.
- $\triangle 7$ 2X SCREW HEADS UNDERFLUSH TO .010 MAX OVERFLUSH

THIS DRAWING COVERS A PROPRIETARY ITEM AND IS THE PROPERTY OF MICRO SWITCH, A DIVISION OF HONEYWELL. THIS DRAWING IS NOT TO BE COPIED OR USED WITHOUT THE APPROVAL OF MICRO SWITCH.

MICRO SWITCH
a Honeywell Division

SWITCH - ASSEMBLY

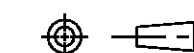
CATALOG LISTING

39SE9

ANSI Y14.5M-1982 APPLIES

FED. MFG. CODE 91929

THIRD ANGLE PROJECTION



SCALE 2 : 1

DO NOT SCALE PRINT

UNLESS OTHERWISE SPECIFIED TOLERANCES ARE

ONE PLACE (.0) $\pm .030$

TWO PLACES (.00) $\pm .015$

THREE PLACES (.000) $\pm .005$

ANGLES \pm

WEIGHT

39SE9
DRAWING NUMBER
11
ISSUE
P.T.C./CAD 2D
DRAWN
TSM
14DEC99
CHECK
SAV
14DEC99
CHECK
REPLACES
RELEASE NO. PR-21831-T