

MICRO SWITCH
 FREEPORT, ILLINOIS, U.S.A.
 A DIVISION OF HONEYWELL
 FED. MFG. CODE 91929

SWITCH ENCLOSED

CATALOG LISTING
51ML94

51ML94

M

DRAWING NUMBER

ISSUE

2

REVISIONS

A 0074287
 6 J W
 21 APR 93

CHECK

CHECK

CHECK

CHECK

CHECK

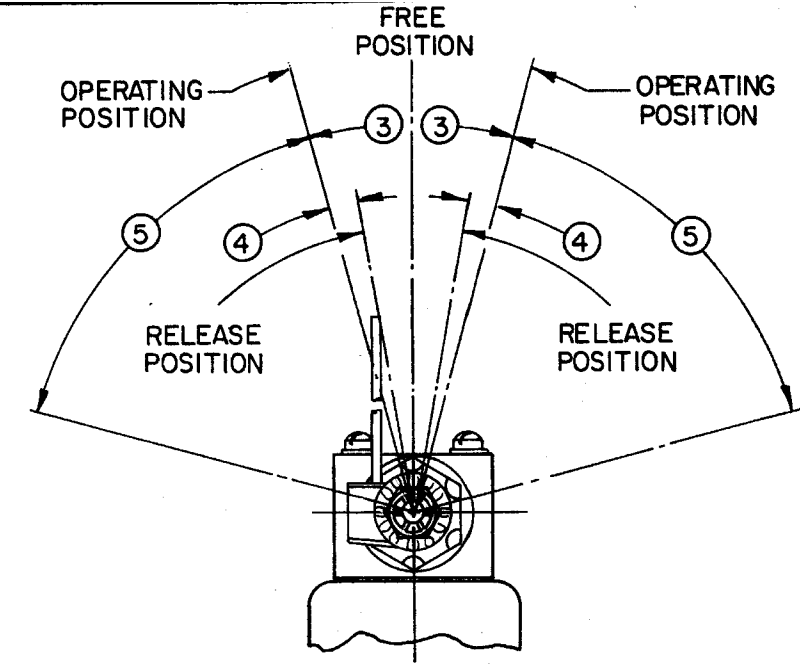
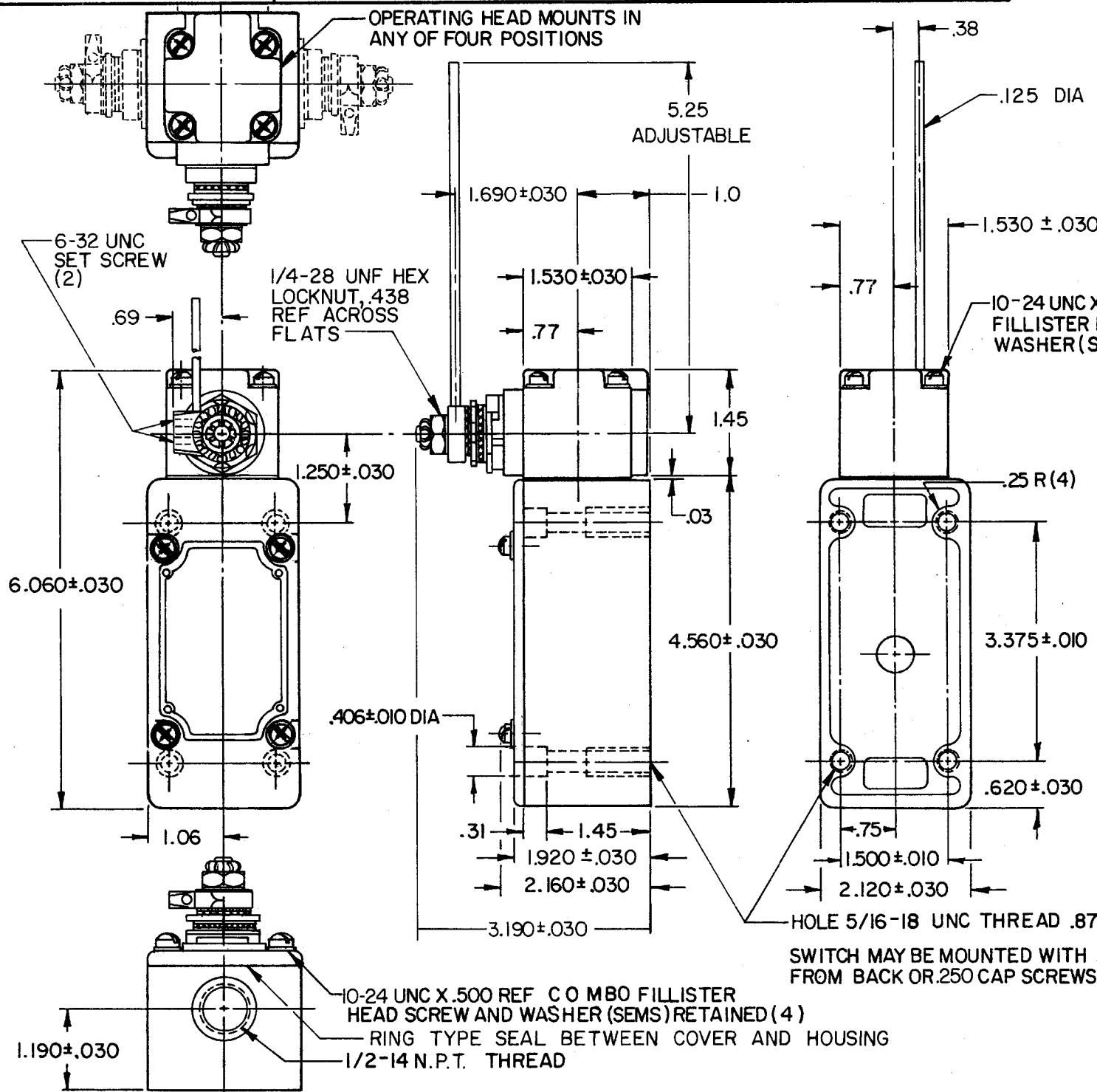
CHECK

CHECK

CHECK

FO-82851-B

REPLACES X81475-ML
 RELEASE NO. PR-13629
 KAG 16 JAN 85
 M A M 16 JAN 85



- NOTES
- 1 - IT IS ESSENTIAL TO PREVENT ENTRANCE OF HARMFUL AGENTS THRU THE CONDUIT OPENING TO OBTAIN THE FULL BENEFIT OF THE SEALED CONSTRUCTION PROVIDED IN THIS UNIT
 - 2 SWITCH IS ASSEMBLED FOR ACTUATION IN COUNTER-CLOCKWISE DIRECTION ONLY
 - 3 TO CONVERT SWITCH FOR ACTUATION IN THE COUNTER-CLOCKWISE DIRECTION ONLY, REMOVE THE HEAD AND SLIDE THE CAM TOWARD THE REAR OF THE HEAD SUFFICIENTLY TO DISENGAGE FROM THE FLATS ON THE SHAFT. ROTATE THE CAM 180° AND RE-ENGAGE THE CAM WITH THE FLATS ON THE SHAFT
 - 4 - LEVER MAY BE POSITIVELY LOCKED AT INTERVALS OF APPROX 0.4° (870 POSITIONS)
 - 5 - LEVER MAY BE ADJUSTED TO ACTUATE THE SWITCH IN THE CLOCKWISE DIRECTION ONLY OR THE COUNTER-CLOCKWISE DIRECTION ONLY

THIS DRAWING COVERS A PROPRIETARY ITEM AND IS THE PROPERTY OF MICRO SWITCH, A DIVISION OF HONEYWELL. THIS DRAWING IS NOT TO BE COPIED OR USED WITHOUT THE APPROVAL OF MICRO SWITCH.

CHARACTERISTICS	
OPERATING FORCE	5 OZ MAX
FULL OVERTRAVEL FORCE	7 OZ MAX
RELEASE FORCE	3/4 OZ MIN
PRETRAVEL	③ 12° MAX
DIFFERENTIAL TRAVEL	④ 4° MAX
OVERTRAVEL	⑤ 60° MIN
SWITCH - BASIC REPLACEMENT IMK5	

ELECTRICAL DATA	
CONTACT ARRANGEMENT	
S P D T	
20A 120, 240, 480, OR 600 VAC	
3/4 HP 120 VAC, 1 1/2 HP 240 VAC	
1/2 A 115 VDC, 1/4 A 230 VDC	
PILOT DUTY 600 VAC MAX	

SCALE 1/2 TO 1
DO NOT SCALE PRINT
TOLERANCES
APPLY TO DESIGN UNITS. CONVERSIONS ARE ONLY FOR REFERENCE. UNLESS NOTED, TOLERANCES ARE ±
DIM. TOL. DIM. TOL.
mm mm/in in mm/in
NO PLACES X 1.04
ONE PLACE X, X 0.4/0.18 X, X 0.8/0.8
TWO PLACES X, XX 0.15/0.008 X, XX 0.38/0.018
THREE PLACES X, XXX 0.13/0.006 X, XXX 0.13/0.006
ANGLES
DESIGN UNITS
SI METRIC <input type="checkbox"/> US CUSTOMARY <input checked="" type="checkbox"/>
THIRD ANGLE PROJECTION
WEIGHT

