

**MICRO SWITCH**  
a Honeywell Division

FED. MFG. CODE 91929

**SWITCH - ENCLOSED**

CATALOG LISTING  
**604CH45-R**

CATALOG LISTING  
**604CH45-R**

PAGE 1 OF 1

ISSUE  
**6**

REPLACES

RELEASE NO. PR-20377

CHECK

REVISIONS

A	PR20377	TSM	18 NOV 92
B	C074935	TSM	19 APR 93
C	C076648	GRT	10 DEC 93
D	CO-80179	KDR	18 APR 95

CHECK

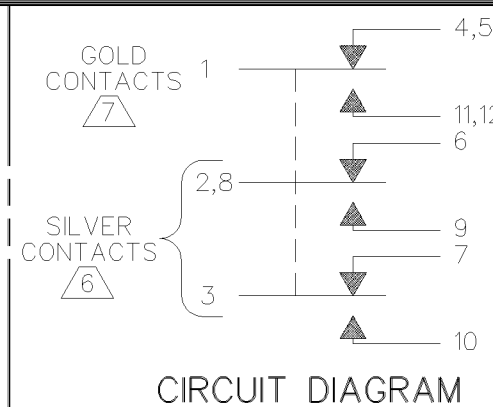
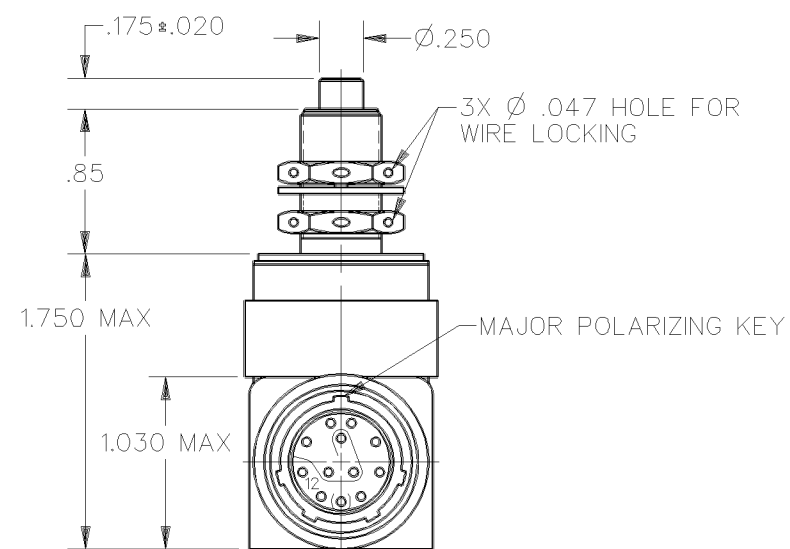
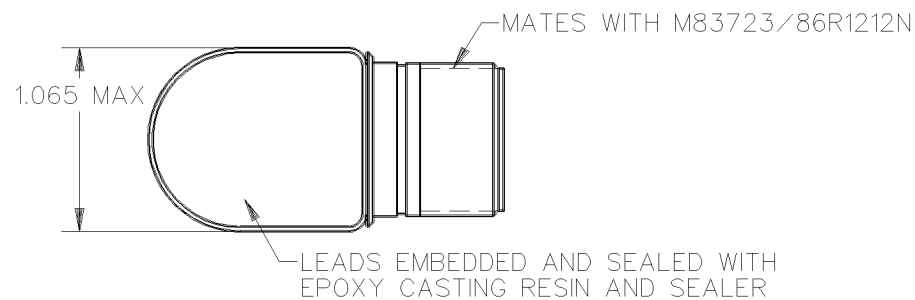
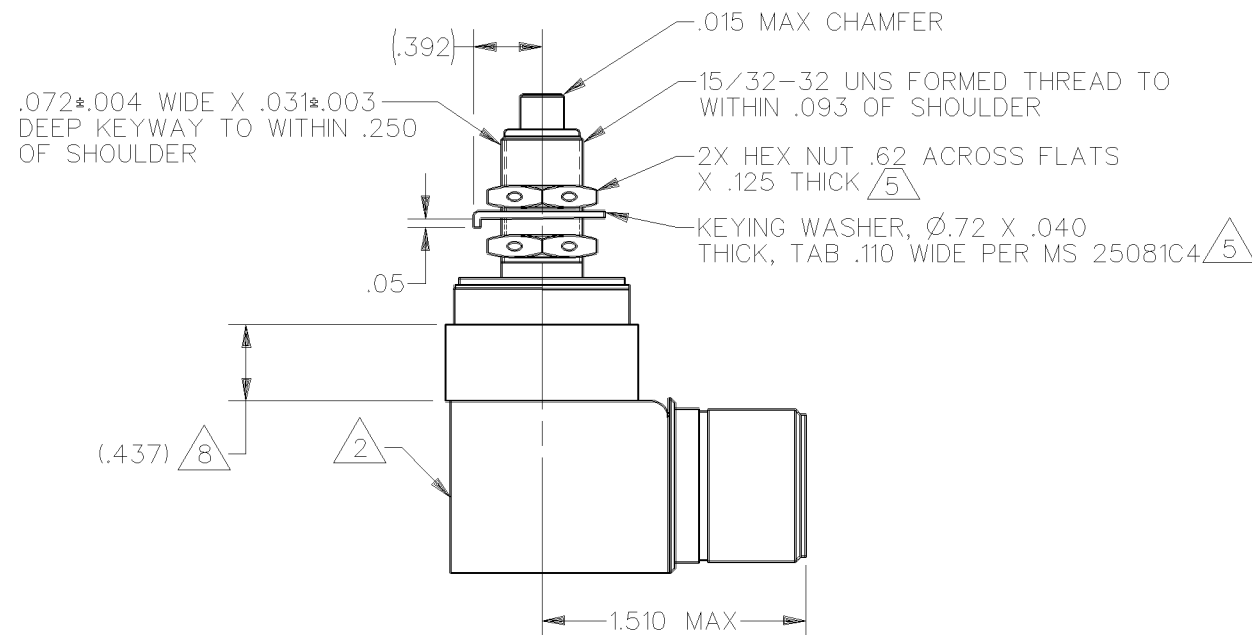
18 NOV 92

A W

18 NOV 92

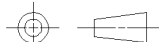
DDM/CAD

DRAWN



THIS DRAWING COVERS A PROPRIETARY ITEM AND IS THE PROPERTY OF MICRO SWITCH, A DIVISION OF HONEYWELL. THIS DRAWING IS NOT TO BE COPIED OR USED WITHOUT THE APPROVAL OF MICRO SWITCH

THIRD ANGLE PROJECTION



CHARACTERISTICS	
OPERATING FORCE	6-12 LB
FULL OVERTRAVEL FORCE	30 LB MAX
RELEASE FORCE	4 LB MIN
PRETRAVEL	.030 MAX
DIFFERENTIAL TRAVEL	.010 MAX
OVERTRAVEL	.100 MIN

ELECTRICAL DATA				
CONTACT ARRANGEMENT				
2X S P D T				
28 VDC				
LOAD	SEA LEVEL	50,000 FT		
RES	7	1	7	1
IND	4	.5	2.5	.5
MOTOR	4			

SCALE	
FULL	
DO NOT SCALE PRINT	
UNLESS OTHERWISE SPECIFIED TOLERANCES ARE	
ONE PLACE	(.0) ±.030
TWO PLACE	(.00) ±.015
THREE PLACE	(.000) ±.005
ANGLES	±
WEIGHT	6.5 OZ MAX

NOTES

- 1 - SWITCH SEALED PER MIL-S-8805 SYMBOL 3
- (2) CIRCUIT DIAGRAM, CATALOG LISTING AND MICRO SWITCH IDENTIFICATION PERMANENTLY MARKED ON SIDE OF SWITCH
- 3 - ALL EXPOSED PARTS ARE CORROSION RESISTANT
- 4 - COINCIDENCE OF OPERATING AND RELEASING POINTS: .010 OF PLUNGER TRAVEL
- (5) HARDWARE MAY BE PACKAGED PER MIL-S-8805
- (6) RATING APPLIES TO SILVER CONTACTS ONLY
- (7) RATING APPLIES TO GOLD CONTACTS ONLY
- (8) RED HEAT SHRINK PER MIL-I-23053/5 FOR IDENTIFICATION

ANSI Y14.5M-1982 APPLIES