

MICRO SWITCH
 FREEPORT ILLINOIS U.S.A.
 A DIVISION OF HONEYWELL
 FED. MFG. CODE 91928

SWITCH-ENCLOSED

CATALOG LISTING
604EN7-6

604EN7-6

M

DRAWING NUMBER

ISSUE

15

CHECK

REVISIONS

A	CO	44351
B	GLH	5 MAR 80
C	JAP	7 AUG 80
D	DJW	28 SEPT 81
E	TAD	15 MAY 85

CHECK

6 MAR 80

CHECK

6 MAR 80

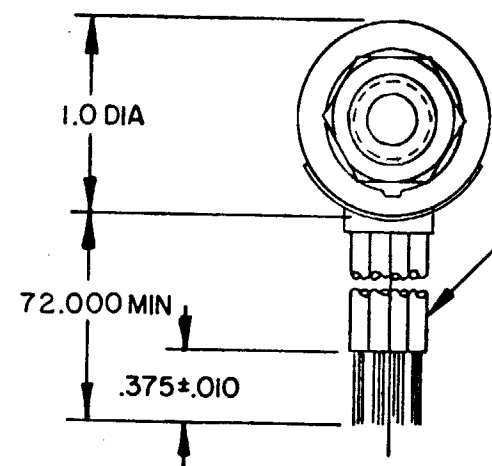
CHECK

5 MAR 80

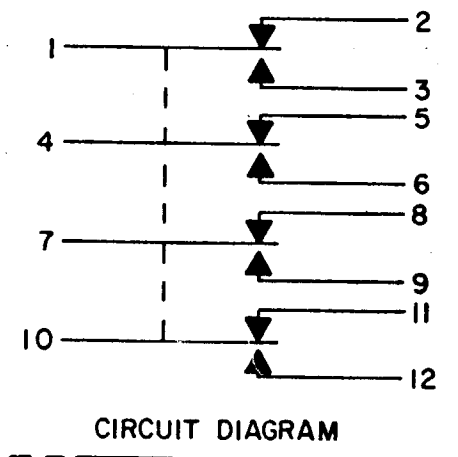
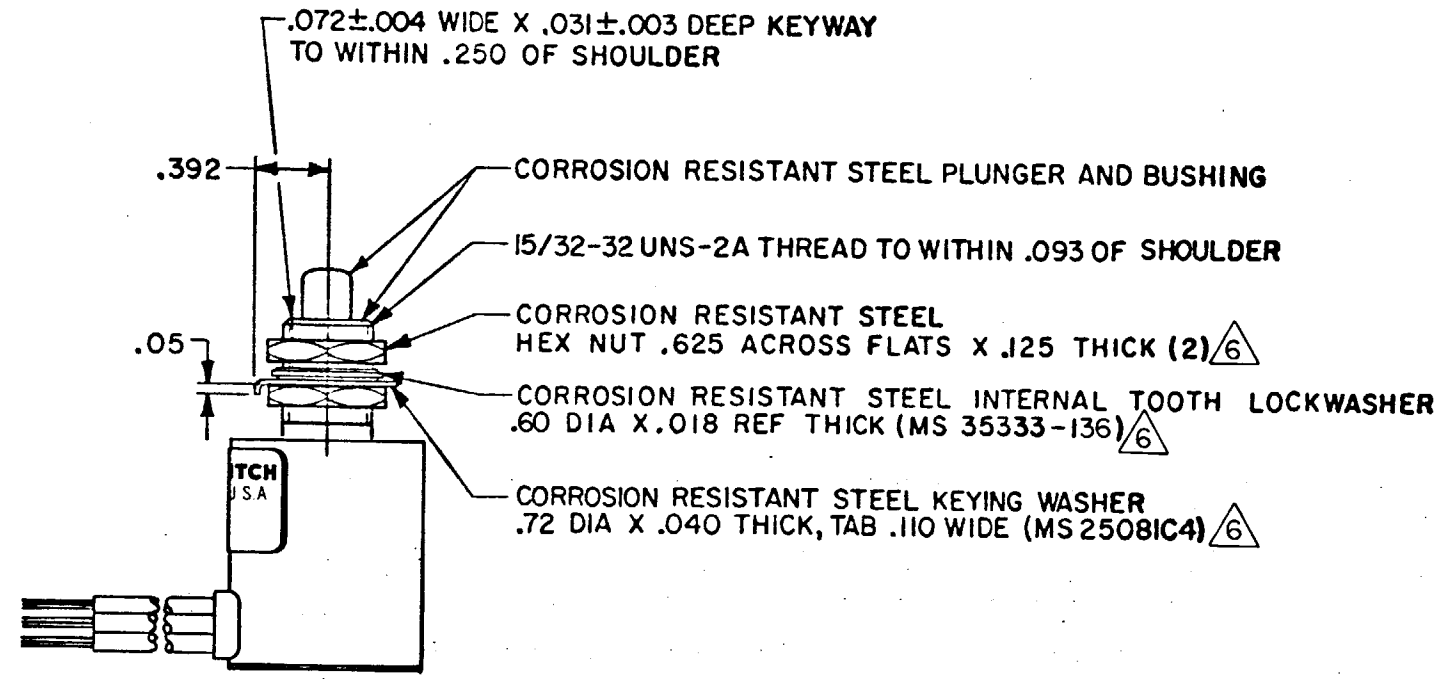
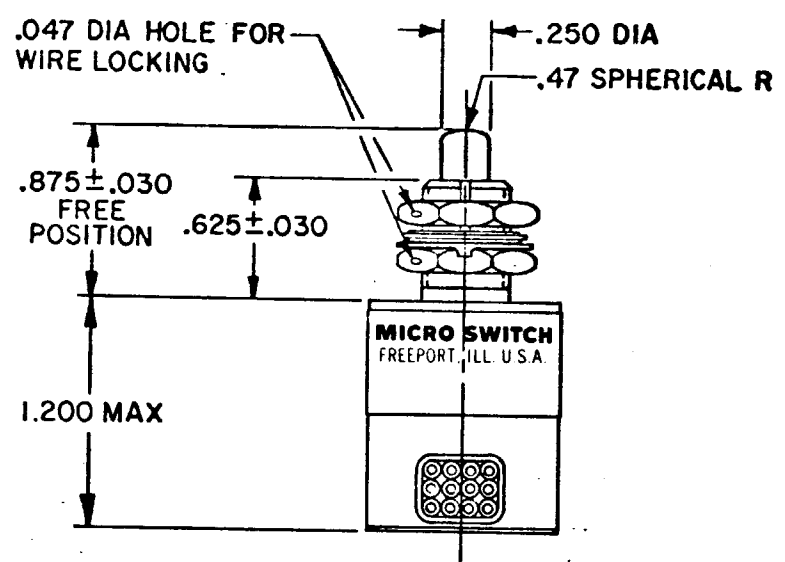
DRAWN

FO-52851-A

RELEASE NO. SR-12721

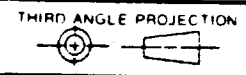


NO. 20 WIRE LEAD PER MIL-W-22759/7
 MARKED WITH CIRCUIT IDENTIFICATION
 AND WIRE GAGE (1-20, 2-20, ECT.) PER MIL-W-5088 (12)



- NOTES**
- 1 - CORROSION RESISTANT STEEL ENCLOSURE
 - 2 - SWITCH SEALED PER MIL-S-8805 SYMBOL 4
 - 3 - CIRCUIT DIAGRAM AND CAT. LIST. ARE SHOWN ON NAMEPLATE
 - 4 - COINCIDENCE OF OPERATING AND RELEASING POINTS: .010 OF PLUNGER TRAVEL
 - 5 - FLUOROSILICONE "O" RING SEAL
 - 6 - HARDWARE MAY BE PACKAGED UNASSEMBLED PER MIL-S-8805

THIS DRAWING COVERS A PROPRIETARY ITEM AND IS THE PROPERTY OF MICRO SWITCH, A DIVISION OF HONEYWELL. THIS DRAWING IS NOT TO BE COPIED OR USED WITHOUT THE APPROVAL OF MICRO SWITCH.



SCALE FULL			
DO NOT SCALE PRINT			
TOLERANCES			
APPLY TO DESIGN UNITS. CONVERSIONS ARE ONLY FOR REFERENCE. UNLESS NOTED, TOLERANCES ARE 2			
DIM.	TOL.		
mm	mm/in		
NO PLACES	X	1/64	0.015
ONE PLACE	X, X	0.010	0.015
TWO PLACES	X, XX	0.005	0.0075
THREE PLACES	X, XXX	0.0005	0.00075
ANGLES	X, XXX		0.0005
DESIGN UNITS			
BY METRIC	<input type="checkbox"/>		
US CUSTOMARY	<input checked="" type="checkbox"/>		
RAW MATERIAL - COMMERCIAL STANDARD			
MICRO SWITCH STANDARDS APPLY			
DIMENSIONS ARE TO BE MET BEFORE PROTECTIVE COATINGS ARE APPLIED			
WEIGHT	13.1 OZ MAX		

CHARACTERISTICS		ELECTRICAL DATA			
OPERATING FORCE	6-12 LB	CONTACT ARRANGEMENT			
FULL OVERTRAVEL FORCE	30 LB MAX	SPDT (4)			
RELEASE FORCE	4 LB MIN	LOAD	28 VDC		
PRETRAVEL	.040 MAX			SEA LEVEL	50,000 FT.
DIFFERENTIAL TRAVEL	.020 MAX			RES	7
OVERTRAVEL	.125 MIN			IND	4
				MOTOR	4
		LAMP			