

HONEYWELL PART NUMBER
624EN338-R
△ <sub>12</sub> FAA-PMA

REV	DOCUMENT	CHANGED BY	CHECK
9	0011614	KSR 04MAR05	AK
10	0014321	JM/AP 28JUL05	PH/AP

SPECIFICATION DETAILS:	
STANDARD:	CONFORMS TO MS27240-4 (MIL-PRF-8805/43), EXCEPT AS NOTED
CONSTRUCTION:	
ENCLOSURE DESIGN	RESILIENT SEAL PER MIL-PRF-8805, SYMBOL 4
CONTACT MATERIAL & CONFIGURATION	PER CIRCUIT DIAGRAM
CIRCUIT CONFIGURATION	4X SPDT
TERMINATION	LEADWIRE PER MIL-W-22759/7 CONNECTOR: BACC45FT12-12P
WEIGHT	8 OZ MAX
EXPOSED METALS	CORROSION RESISTANT STAINLESS STEEL
ELECTRICAL CHARACTERISTICS	

ELECTRICAL DATA	
CONTACT ARRANGEMENT: 4X S P D T	
RATINGS APPLY TO CIRCUITS 7-12	
SEA LEVEL	50,000 FT
LOAD 28 VDC 5VDC 30 mVDC PEAK AC 28 VDC 5VDC	SEA LEVEL 50,000 FT 28 VDC 28 VDC
RES 1.0 0.01 0.01 1.0 0.01	7 7
IND 0.5 0.5	4 2.5
MOTOR	4

DIELECTRIC STRENGTH & INSULATION RESISTANCE	DIELECTRIC STRENGTH ≈ 60 Hz FOR 5 SECONDS	INSULATION RESISTANCE (500 VDC ±10%)
	1000 V Rms, 500 μA (MAX LEAKAGE)	1000 Megohms MIN
	1000 V Rms, 500 μA (MAX LEAKAGE)	1000 Megohms MIN

SWITCH RESISTANCE	N/A CIR 1-6 △ <sub>1</sub> CIR 7-12 △ <sub>1</sub> △ <sub>8</sub>
RECOMMENDATION OR USE IN APPLICATIONS LESS THAN .5 amps AND/OR 12 volts	NO CIR 1-6 △ <sub>2</sub> △ <sub>7</sub> YES CIR 7-12 △ <sub>8</sub>

MECHANICAL CHARACTERISTICS:	
CHARACTERISTICS:	
COINCIDENCE OF OPERATING AND RELEASING POINTS	.010 OF PLUNGER TRAVEL
OPERATING FORCE	6-12 LBS
FULL OVERTRAVEL FORCE	30 LB MAX
RELEASE FORCE	4 LB MIN
PRETRAVEL	.040 MAX
DIFFERENTIAL TRAVEL	.020 MAX
OVERTRAVEL	.125 MIN

MOUNTING STRENGTH	15 IN-LBS
ACTUATOR STRENGTH	30 LBS APPLIED IN A DIRECTION TO CAUSE SWITCH ACTUATION

LIFE:	
MECHANICAL LIFE	25,000 MIN. PER MIL-PRF-8805/43 △ <sub>3</sub>
ELECTRICAL LIFE AT FULL RATED LOAD	25,000 MIN. PER MIL-PRF-8805/43 △ <sub>3</sub>

ENVIRONMENTAL:	
TEMPERATURE RANGE	-55° C TO +85° C
ALTITUDE RANGE	SEA LEVEL TO 50,000 FEET
SHOCK	PER MIL-PRF-8805 SYMBOL M - 100 g
VIBRATION	PER MIL-PRF-8805 SYMBOL 2 - 10-2000 Hz & 15 g peak
MOISTURE RESISTANCE	PER MIL-PRF-8805 (10 DAY TEST)
THERMAL SHOCK	PER MIL-PRF-8805 (5 CYCLE TEST)
SALT SPRAY	PER MIL-PRF-8805 (96 HOUR TEST)

NOTES

△<sub>1</sub> SWITCH RESISTANCE = SWITCH CONTACT RESISTANCE + LEAD LENGTH (OHMS/FT). SWITCH CONTACT RESISTANCE SHALL NOT EXCEED .025 OHM INITIALLY AND .040 OHM AFTER MECHANICAL ENDURANCE TEST. AFTER ELECTRICAL ENDURANCE, THE SWITCH RESISTANCE SHALL NOT EXCEED 1X OF THE LOAD IMPEDANCE USING ELECTRICAL PARAMETERS OF THE ELECTRICAL ENDURANCE TEST LOAD. LEAD WIRE RESISTANCE = .015 OHM/FT

△<sub>2</sub> CONTACT HONEYWELL-MICRO SWITCH IF ADDITIONAL INFORMATION ON LOW ENERGY LOADS IS REQUIRED OR FOR HELP WITH SPECIFIC APPLICATIONS

△<sub>3</sub> LIFE RATINGS ARE PER MIL-PRF-8805 REQUIREMENTS. ACTUAL LIFE EXCEEDS RATED LIFE. CONTACT HONEYWELL-MICRO SWITCH FOR ADDITIONAL DATA.

4 - CIRCUIT DIAGRAM, CATALOG LISTING, DATE CODE, FED MFG CODE AND FAA-PMA ON NAMEPLATE

△<sub>5</sub> HARDWARE MAY BE PACKAGED UNASSEMBLED PER ML-PRF-8805

△<sub>6</sub> KEYWAY .072±.004 WIDE X .031±.003 DEEP TO WITHIN .250 OF SHOULDER

△<sub>7</sub> 1SX TYPE BASIC SWITCH

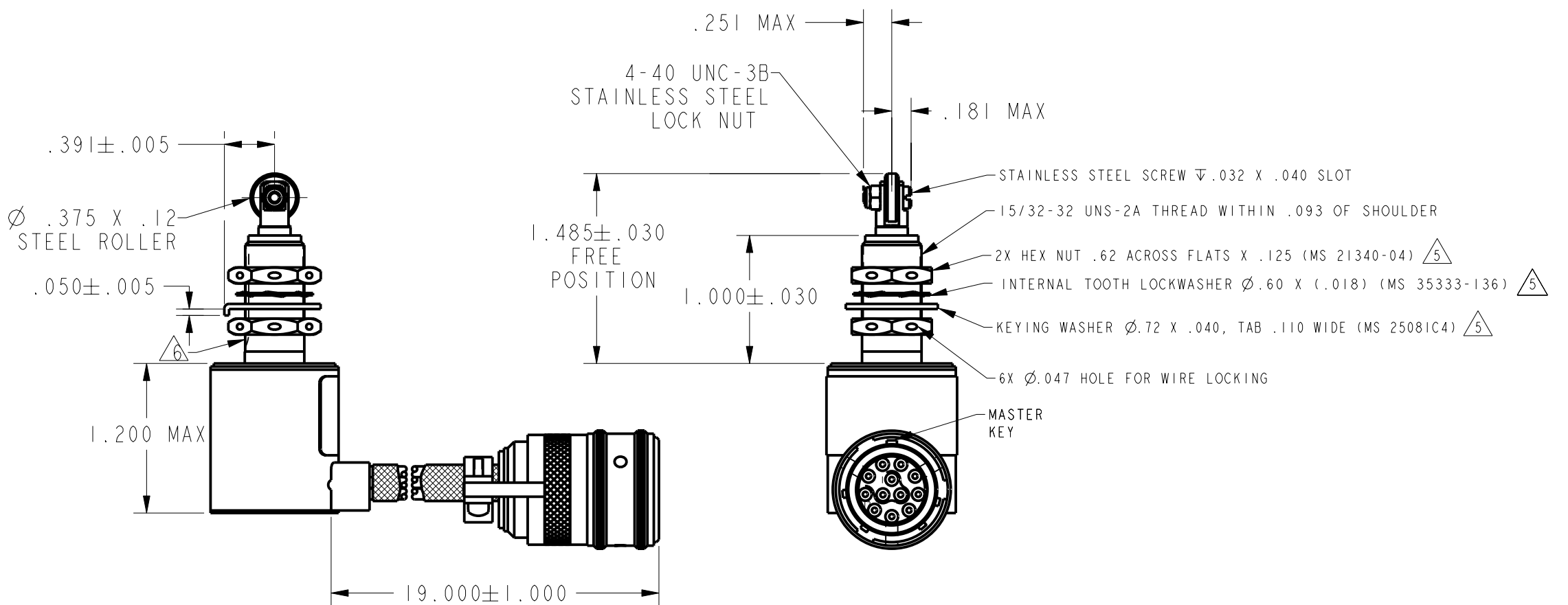
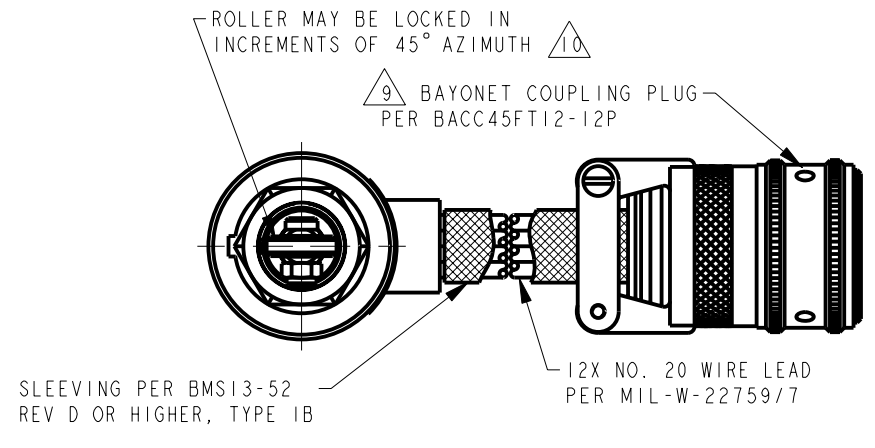
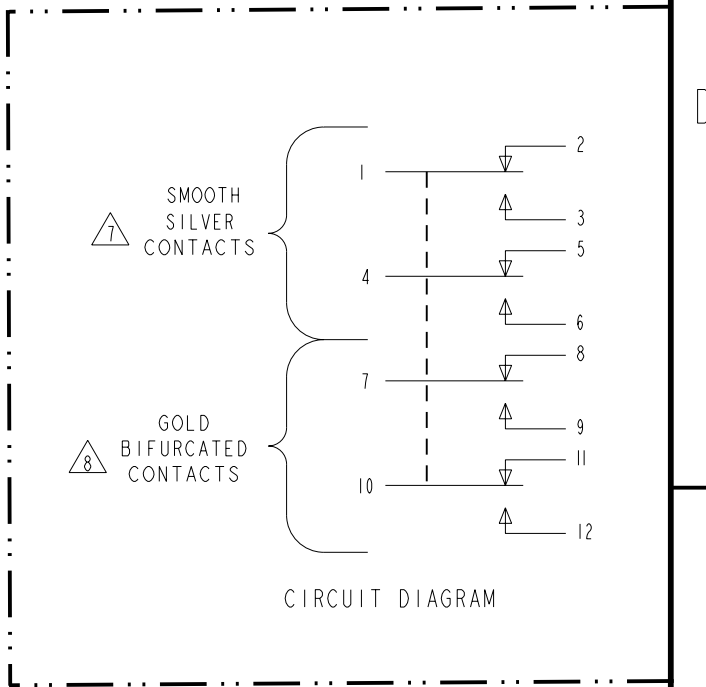
△<sub>8</sub> 12SX TYPE BASIC SWITCH

△<sub>9</sub> FURNISHED WITH SNUG FITTING DUST CAP

△<sub>10</sub> TO ADJUST ROLLER DIRECTION, REMOVE LOCKNUT, SCREW, AND ROLLER. DEPRESS PLUNGER UNTIL IT CAN BE ROTATED TO DESIRED POSITION. RETURN PLUNGER TO FREE POSITION AND RE-ASSEMBLE ROLLER

△<sub>12</sub> MATES WITH BACC45FN12-12S

△<sub>13</sub> FOR MANUFACTURING DETAILS SEE ASSEMBLY DRAWING 624EN338-R FOR FAA-PMA.



DESIGN UNITS: INCH TOLERANCES UNLESS NOTED:	DRAWN GLH 13FEB02 CHECK SAV 13FEB02	<b>Honeywell</b>	
NO PLACE X ± ONE PLACE .X ± .030 TWO PLACE .XX ± .015 THREE PLACE .XXX ± .005 FOUR PLACE .XXXX ± ANGLES X ±	THIS DRAWING COVERS A PROPRIETARY ITEM AND IS THE PROPERTY OF HONEYWELL. THIS DRAWING IS NOT TO BE COPIED OR USED WITHOUT THE PERMISSION OF HONEYWELL.		
THIRD ANGLE PROJECTION	INTERPRET PER ASME Y14.5M-1994 OTHER HONEYWELL ENGINEERING STANDARDS MAY APPLY	SIZE C TYPE I	DRAWING NAME 624EN338-R
	Pro/ENGINEER 2D	SCALE 2:1	REV 10 SHEET 1 OF 1