



## 73JB100K

**73 Series Precision Potentiometer, Wire Wound Element, Solder lug Terminals, 2 W Power Rating, 100 kOhm Resistance Value**

*Representative photograph, actual product appearance may vary.*

*Due to regional agency approval requirements, some products may not be available in your area. Please contact your regional Honeywell office regarding your product of choice.*

### Features

- Plastic shaft and bushings
- Wirewound element
- Linear taper
- 10-turn construction

### Typical Applications

- Manual controls

### Description

The 73 Series is a precision type potentiometer made with a wirewound element. It offers 10 turns for higher resolution and accurate output. It has a power rating of 2 watts.



## 73JB100K

**73 Series Precision Potentiometer, Wire Wound Element, Solder lug Terminals, 2 W Power Rating, 100 kOhm Resistance Value**

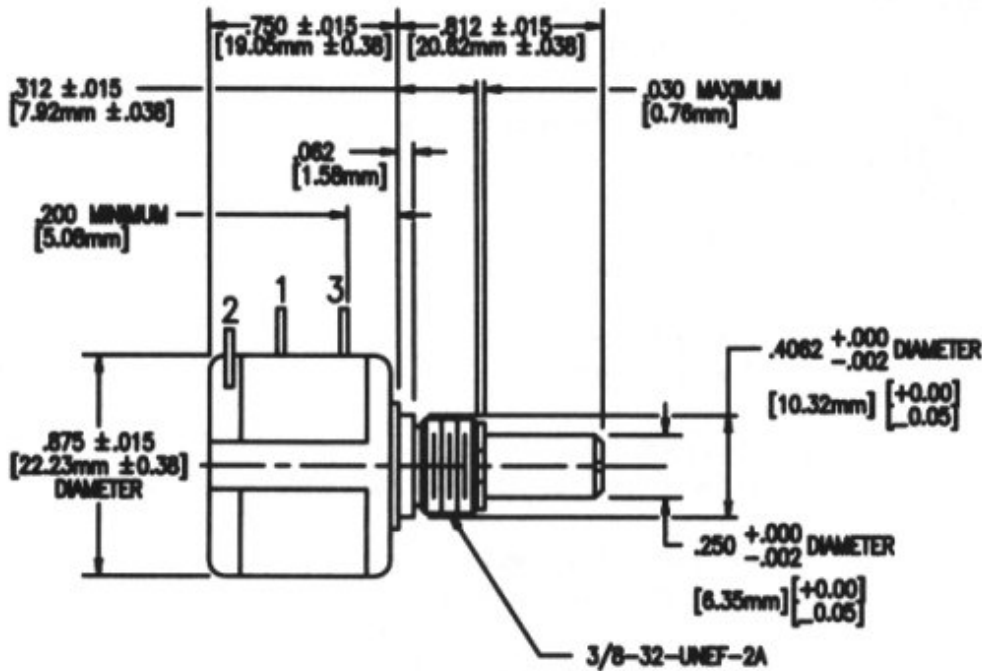
Product Specifications	
Potentiometer Type	Precision
Element Type	Wire Wound
Terminal Type	Solder lug
Power Rating	2 W
Turns	10
Resistance Value	100 kOhm
Resistance Tolerance	± 5 %
Linearity	± 0.25 %
Bushing Thread	9,53 mm [0.375 in] x 32 NEF-2A
Bushing length	7,92 mm [0.312 in]
Bushing Type	Standard
Shaft Diameter	6,35 mm [0.25 in]
Shaft length	20,62 mm [0.812 in]

Shaft Ending	Slotted
Body	22.23 mm [0.875 in] diameter, ± 0.79 mm [0.031 in]
Electrical Taper	Linear
Operating Temperature	-40 °C to 120 °C [-40 °F to 248 °F]
Working Voltage (Max.)	500 V
Rotational Life	50000 cycles
Mechanical Rotation	3600°
Availability	Global
Series Name	73 Series
UNSPSC Code	4111363300
UNSPSC Commodity	4111363300 Potentiometers

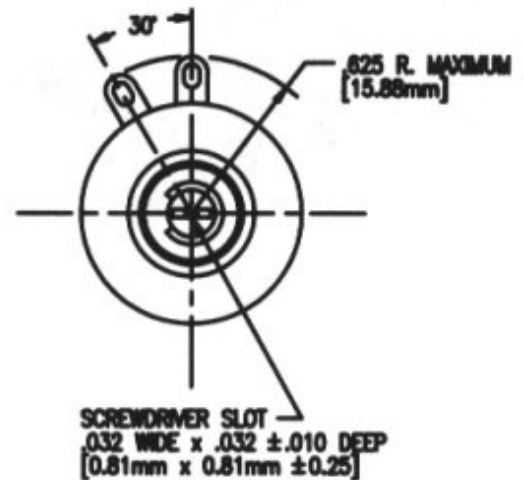


### 73JB100K

73 Series Precision Potentiometer, Wire Wound Element, Solder lug Terminals, 2 W Power Rating, 100 kOhm Resistance Value



For Reference Only



### 73JB100K

73 Series Precision Potentiometer, Wire Wound Element, Solder lug Terminals, 2 W Power Rating, 100 kOhm Resistance Value

** WARNING**

**PERSONAL INJURY**

DO NOT USE these products as safety or emergency stop devices, or in any other application where failure of the product could result in personal injury.

**Failure to comply with these instructions could result in death or serious injury.**

** WARNING**

**MISUSE OF DOCUMENTATION**

- The information presented in this product sheet (or catalog) is for reference only. DO NOT USE this document as product installation information.
- Complete installation, operation and maintenance information is provided in the instructions supplied with each product.

**Failure to comply with these instructions could result in death or serious injury.**

© Copyright Honeywell Inc.1998-2004 All rights reserved.