

MICRO SWITCH

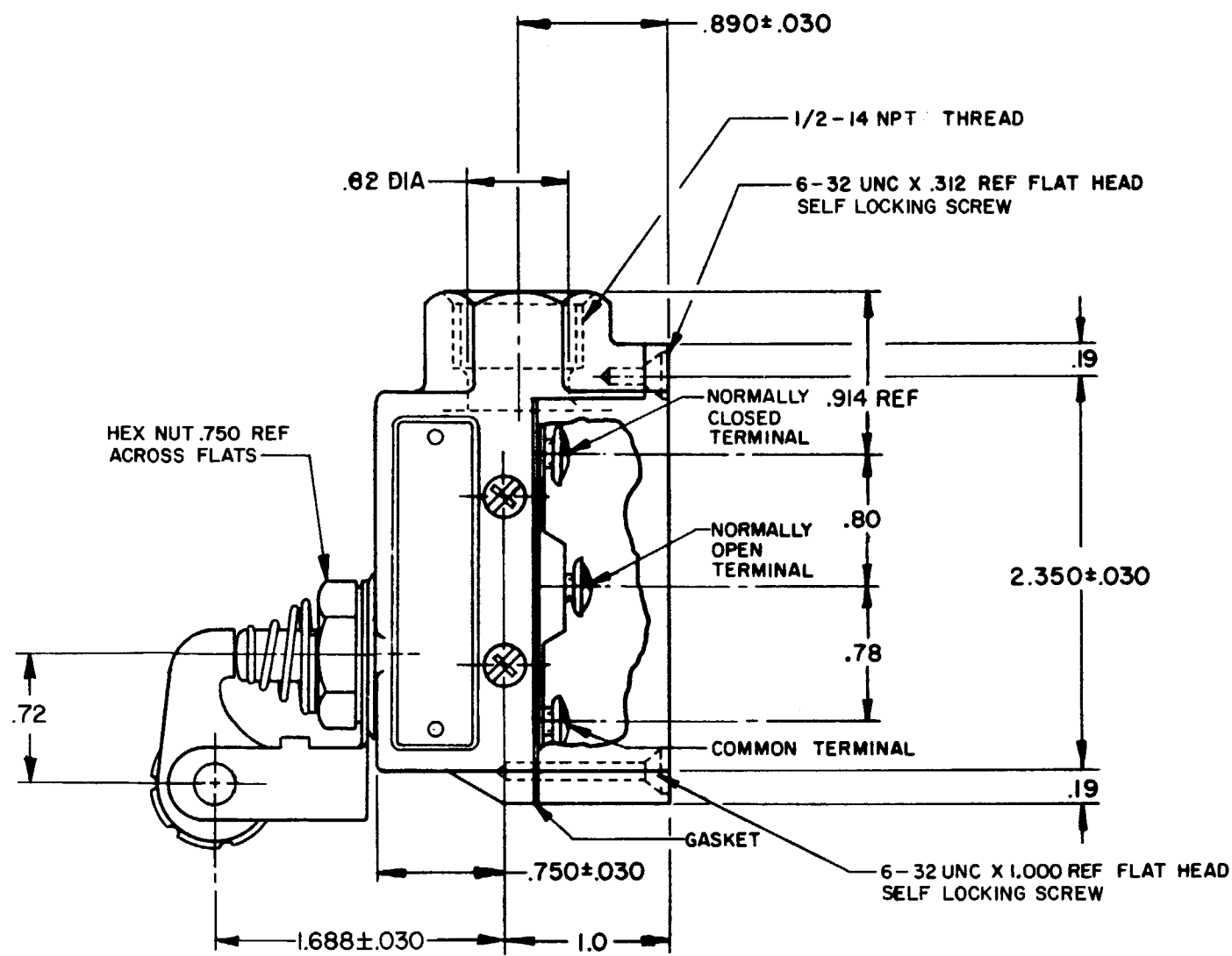
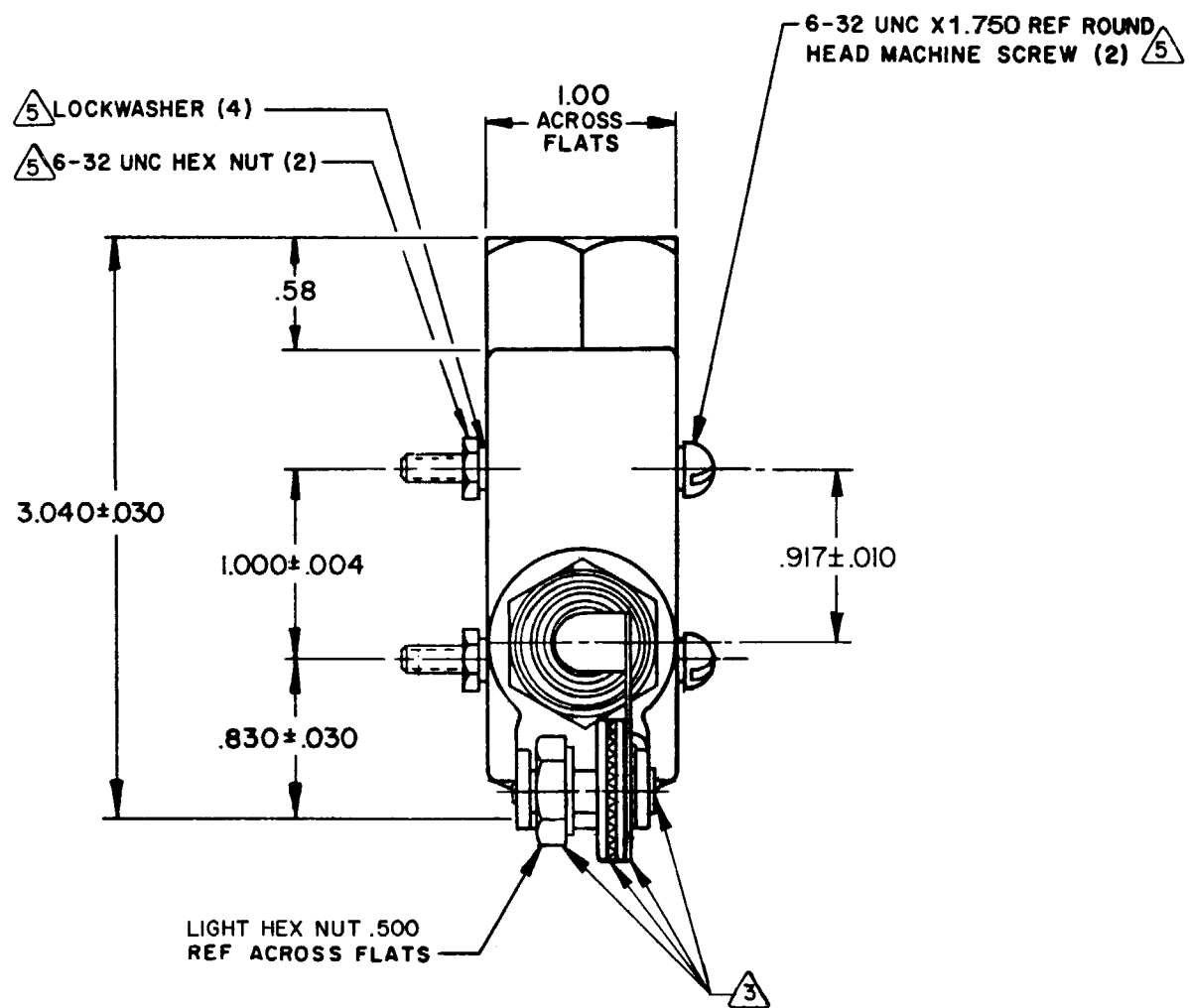
FREEPORT ILLINOIS U S A
A DIVISION OF HONEYWELL

FED. MFG. CODE 91929

SWITCH - ENCLOSED

CATALOG LISTING
BZE6-2RQ241

CATALOG LISTING
BZE6-2RQ241
 PAGE 1 OF 1
 ISSUE **9**
 PSR
 REVISIONS
 A PR-6588
 J A L
 6 JUL 77
 B C053191-G
 2 CJH
 MAY 84
 C C055989
 8 CJH
 NOV 84
 D C054958
 26 TSK
 FEB 85
 E C072618
 L J F
 11 SEP 92
 F 200424
 C S L
 15 MAY 00
 G 0016894
 K R B
 10 NOV 05
 H 0033014
 B S
 29AUG07
 DRAWN
 RASTER
 FO-32851-A
 K P K 8 JUN 77 CHECK DRAW 9 JUNE 77 CHECK DRAW 11 JUN 77 CHECK DRAW 29AUG07



NOTES

- 1 - LEVER BRACKET ASSEMBLY MAY BE SET AT ANY ONE OF EIGHT POSITIONS SPACED 45° APART
- 2 - (3) 6-32 UNC X .219 REF TERMINAL SCREW AND CUPWASHER
- 3 - LEVER, NUT, LOCKWASHERS (2), SCREW AND RIVET FURNISHED UNASSEMBLED
- 4 - SWITCH WILL WITHSTAND TEMPERATURE OF 250° F
- 5 - MOUNTING HARDWARE FURNISHED UNASSEMBLED
- 6 - SEAL RATING: NEMA1
IP40

THIS DRAWING COVERS A PROPRIETARY ITEM AND IS THE PROPERTY OF MICRO SWITCH, A DIVISION OF HONEYWELL. THIS DRAWING IS NOT TO BE COPIED OR USED WITHOUT THE APPROVAL OF MICRO SWITCH		THIRD ANGLE PROJECTION	SCALE FULL
CHARACTERISTICS (AT PLUNGER)		DO NOT SCALE PRINT	
OPERATING FORCE ----- 18-34 OZ		TOLERANCES	
RELEASE FORCE ----- 8 OZ MIN		APPLY TO DESIGN UNITS. CONVERSIONS ARE ONLY FOR REFERENCE. UNLESS NOTED, TOLERANCES ARE 2	
PRETRAVEL ----- .078 MAX		DIM. DIM. TOL. TOL.	
DIFFERENTIAL TRAVEL ----- .002 MAX		mm mm/in in in	
OVERTRAVEL ----- .125 MIN		NO PLACES X 15.04	
SWITCH BASIC REPLACEMENT --- BZ-2RQ2724		ONE PLACE X,X 0.47,018 X X 0.87,009	
ELECTRICAL DATA		TWO PLACES X,XX 0.157,008 X XX 0.387,018	
CONTACT ARRANGEMENT		THREE PLACES X,XXX 0.157,008 X XXX 0.157,008	
S P D T		ANGLES	
15A-125, 250 OR 480 VAC, 2A-600 VAC		SI METRIC <input type="checkbox"/> US CUSTOMARY <input checked="" type="checkbox"/>	
1/8HP-125 VAC; 1/4HP-250 VAC		DESIGN UNITS <input type="checkbox"/> <input checked="" type="checkbox"/>	
CODE L74 1/2A-125 VDC; 1/4A-250 VDC		RAW MATERIAL-COMMERCIAL STANDARD	
1.5A, 240 Vac		MICRO SWITCH STANDARDS APPLY	
FU		DIMENSIONS ARE TO BE MET BEFORE PROTECTIVE COATINGS ARE APPLIED	
		WEIGHT .70 LB	