

DATA SHEET

CLAROKNOB

HAWKER

SIDDELEY

CLAROSTAT

CLAROKNOB Style Descriptions

HD Series

Control knob with sawcut indicator

JD Series

Straight knurl with top and side indicator

DD Series

Straight knurl with side indicator

DDS Series

Straight knurl with arrow on skirt



Description

The CLAROKNOB is a high quality knob fabricated from machined aluminum. Manufactured to enhance your products, the CLAROKNOB comes in a variety of styles which are stocked for your requirements.

Features

- Durable machined aluminum
- ~~Stainless~~ ^{Alloy} steel setscrews standard
- Variety of styles
- For use with 1/8" and 1/4" diameter shafts
- Anodized in clear or black, gloss or matte

CLAROKNOB Specifications

Material

Machined aluminum alloy

Finish

Anodized gloss or matte

Set Screws

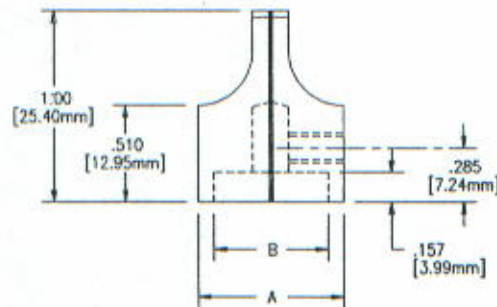
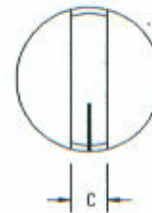
~~Stainless~~ steel, hex-head, cup-point.

HD Series, one;

JD, DD, DDS, two.

Figure 1

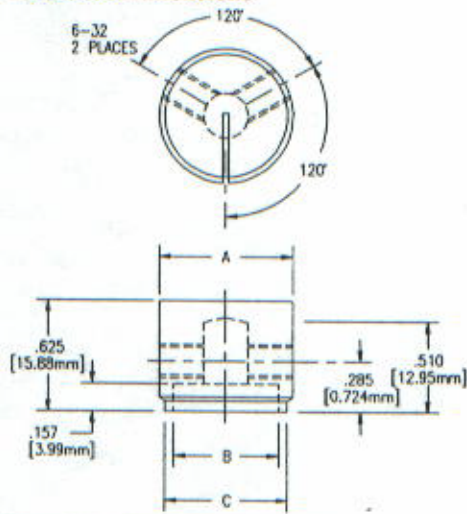
HD Series Dimensions



	A	B	C
Model			
50			
inches	.500	.375	.125
mm	12.7	9.53	3.18
75			
inches	.750	.590	.187
mm	19.05	14.99	4.75
90			
inches	.900 ^{.900}	.700 ^{.700}	.250
mm	23.5	19.05	6.35

Figure 2

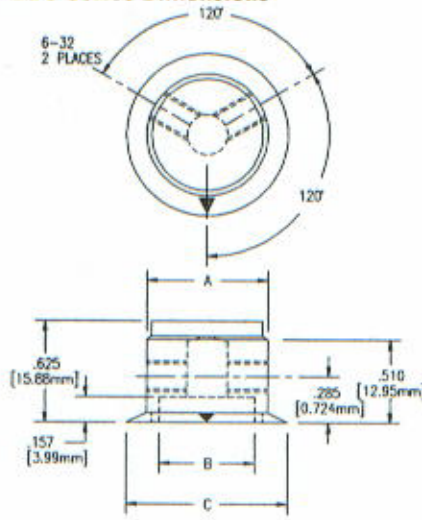
JD Series Dimensions



	A	B	C
Model			
50			
inches	.500	.375	.445
mm	12.7	9.53	11.3
75			
inches	.750	.590	.695
mm	19.05	14.99	17.65
90			
inches	.925	.750 ^{.706}	.882
mm	23.5	19.05	22.4

Figure 4

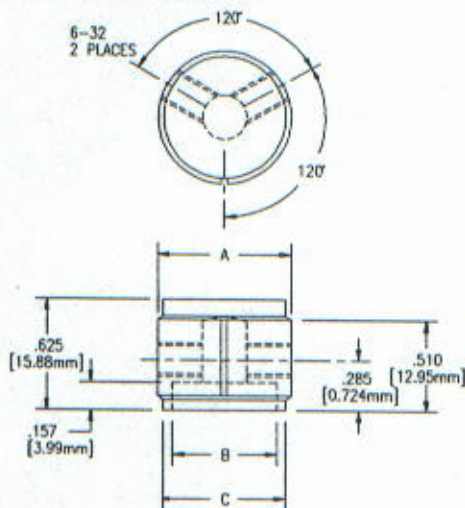
DDS Series Dimensions



	A	B	C
Model			
50			
inches	.500	.375	.685
mm	12.7	9.53	17.4
75			
inches	.750	.590	1.00
mm	19.05	14.99	25.4
90			
inches	.925	.750 ^{.706}	1.25
mm	23.5	19.05	31.75

Figure 3

DD Series Dimensions



	A	B	C
Model			
50			
inches	.500	.375	.445 ^{.445}
mm	12.7	9.53	17.4
75			
inches	.750	.590	.695 ^{.695}
mm	19.05	14.99	25.4
90			
inches	.925	.750 ^{.706}	.882 ^{.882}
mm	23.5	19.05	31.75

CLAROKNOB How To Order

Example: **HD-75-1-6**

HD	75	1	6
	Knob Model	Knob Color	Shaft Diameter
	50 = .500" diameter	1 = Clear	5 = .250"
	75 = .750" diameter	2 = Black	6 = .125"
	90 = .925" diameter	3 = Matte Clear	
		4 = Matte Black	

- Series**
- HD = Knob with sawcut indicator
 - JD = Straight knurl with top and side indicator
 - DD = Straight knurl with side indicator
 - DDS = Knurl with arrowhead on skirt

DISTRIBUTED BY:



CLAROSTAT
 1 Washington Street
 P.O. Box 1507
 Dover, NH 03820-1507
 Tel: 603-742-1120
 Watts: 1-800-872-0042
 Fax: 603.742.0481
 Telex: (MCI) 6713344