

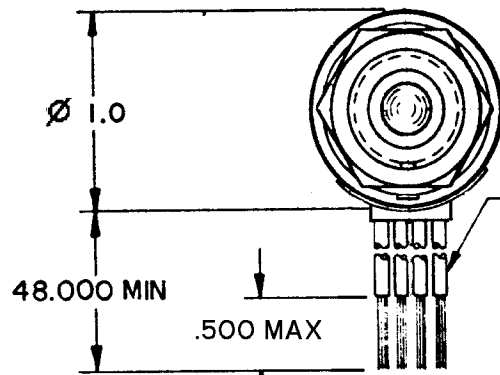
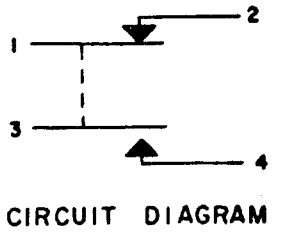
**MICRO SWITCH**  
a Honeywell Division

FED. MFG. CODE 91929

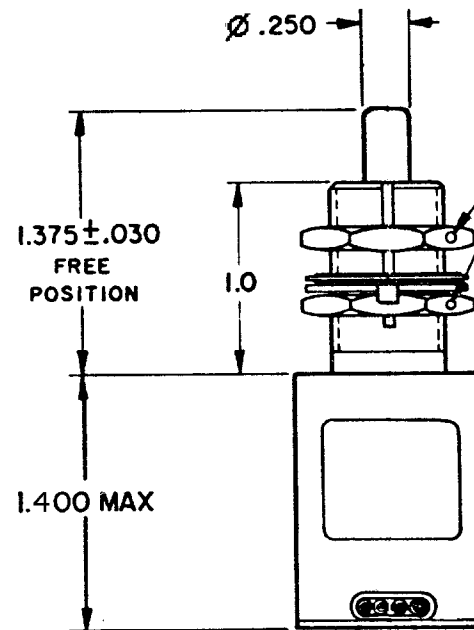
**SWITCH - ENCLOSED**

CATALOG LISTING

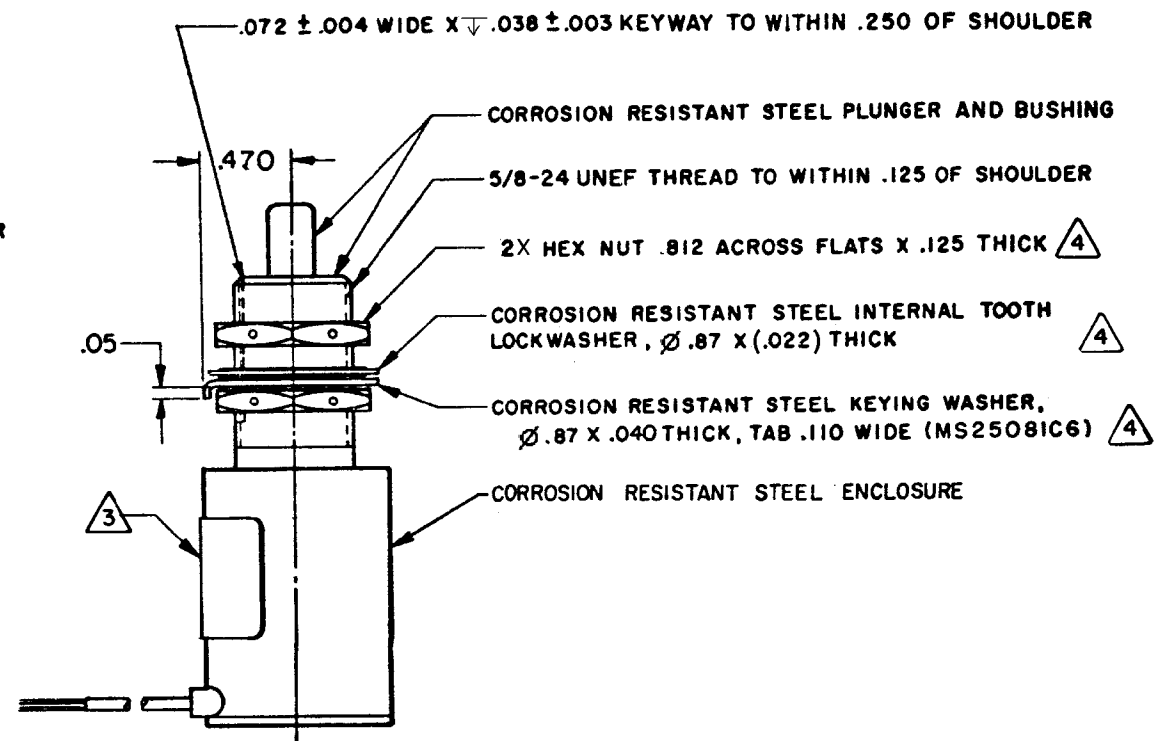
**1CH23- 4**



4X NO.18 WIRE LEAD PER SPEC MIL-W- 22759/7  
MARKED WITH CIRCUIT IDENTIFICATION AND WIRE  
GAGE (1-18, 2-18, ETC) PER MIL-W-5088



Ø.047 HOLE FOR  
WIRE LOCKING



CATALOG LISTING  
**1CH23- 4**  
PAGE 1 OF 1

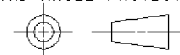
ISSUE  
**M**  
**14**

REVISIONS  
A CO-95348-B  
DLM  
16 FEB 00  
B 0010299  
TCC-AP  
27 DEC 04

FORMTEK  
DRAWN  
DLM 16FEB00  
CHECK  
SAV 16FEB00  
CHECK  
SR 11662  
RELEASE NO.  
X31004  
REPLACES

THIS DRAWING COVERS A PROPRIETARY ITEM AND IS THE PROPERTY OF MICRO SWITCH, A DIVISION OF HONEYWELL. THIS DRAWING IS NOT TO BE COPIED OR USED WITHOUT THE APPROVAL OF MICRO SWITCH

THIRD ANGLE PROJECTION



CHARACTERISTICS	
OPERATING FORCE	6-13 LB
FULL OVERTRAVEL FORCE	30 LB MAX
RELEASE FORCE	4 LB MIN
PRETRAVEL	.100 MAX
DIFFERENTIAL TRAVEL	.020 MIN
OVERTRAVEL	.180 MIN

ELECTRICAL DATA		
CONTACT ARRANGEMENT		
1X S P N C 1X S P N O		
LOAD	28 VDC	
	SEA LEVEL	50,000 FT.
RES	4	4
IND	2	2
MOTOR	4	

SCALE FULL	
DO NOT SCALE PRINT	
UNLESS OTHERWISE SPECIFIED TOLERANCES ARE	
ONE PLACE	(.0) ±.030
TWO PLACE	(.00) ±.015
THREE PLACE	(.000) ±.005
ANGLES	±
WEIGHT	6.0 OZ MAX

**NOTES**

- 1 - SWITCH SEALED PER MIL-PRF-8805 SYMBOL 2
- 2 - COINCIDENCE OF OPERATING AND RELEASING POINTS: .010 OF PLUNGER TRAVEL
- 3 - CATALOG LISTING, MICRO IDENTIFICATION, CIRCUIT DIAGRAM AND DATE CODE ARE SHOWN ON NAMEPLATE
- 4 - HARDWARE MAY BE PACKAGED UNASSEMBLED PER MIL-PRF-8805