

DEVICE TYPE S-1924 CLASS/CAT 71/05

1.0 CUSTOMER/CUSTOMER PART NUMBER

ABBOTT LABS

2.0 PRODUCT DESCRIPTION

LOGIC SLOTTED SWITCH

3.0 SYMBOLIZATION

SEE PARAGRAPH 4.0 IN ASSEMBLY
PROCEDURE FOR SYMBOLIZATION
REQUIREMENTS.

4.0 LABELING REQUIREMENTS

CLAROSTAT
CUSTOMER: ABBOTT LABS
CUSTOMER P/N:
CLAROSTAT P/N: S-1924
QTY _____ DATE CODE _____

5.0 SHIPPING INSTRUCTIONS

50 PARTS PER PLASTIC BAG (960-00009-000), LABEL (960-00076-000) PER 4.0

CLAROSTAT
SENSORS AND CONTROLS GROUP

APPROVALS		DATE	TITLE			
DRAWN BY		B. RENFRO	TRANSMISSIVE ASSEMBLY			
DESIGN ENG		<i>S. Vaigor</i>	2/15/91	SIZE	CODE IDENT.	DWG. NO.
		<i>10/14/99</i>	A	IF 43	S-1924	
REVISION					G	SHEET 1 OF 7

REVISION HISTORY SHEET

REV.	COMMENT	ECN NO.	DATE	ORIGINATOR
A	ELECTRICAL - Von AND Voff BOM - CHANGE LED AND SENSOR	0133	3/29/90	C. C.
B	COVER - ADD CLASS/CAT BOM - ADD SENSOR OPTIONS, CHANGE WIRES & HOUSING.	0641	2/15/91	L. L.
C	ELECTRICAL - CHANGE Von If FROM 15 TO 10 mA	0918	7/19/91	P. K.
D	BOM - CHANGE WIRE SIZE PACKAGE OUTLINE - MODIFIED SQUARE HOLE ON LED SIDE ELECTRICAL - CHANGE OUTPUT MAX	0969	8/16/91	L. LONG
E	BOM - ADD EPOXY ASSEMBLY PROCEDURE - ADD POTTING PROCEDURE FIGURE #2 - SHOW POTTING AREA	1268	12/11/91	L. LONG
F	COVER - ADD NOTE; CHANGE SENISYS TO CLAROSTAT	2020	12/5/94	L. LONG
G	ON BOM CHANGE P/N FROM 555-0010-00 TO 100-08452- 100. REMOVE MATL. TRAV. & BOM FROM SPEC. REVISED PARAGRAPH 3.0 ON COVER TO REF. 4.0 IN ASSEMBLY PROCEDURE. REVISED ALL DRAWINGS.	4306	6/22/99	S. RAY

CLAROSTAT
SENSORS AND CONTROLS GROUP

SIZE
A

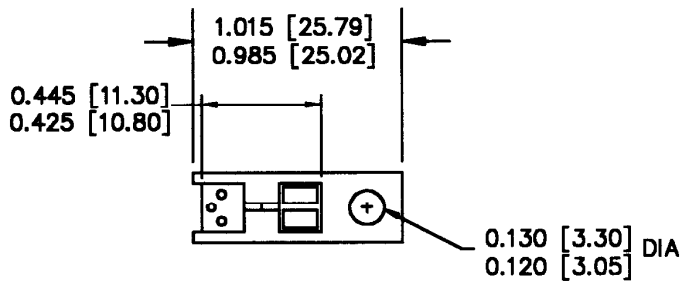
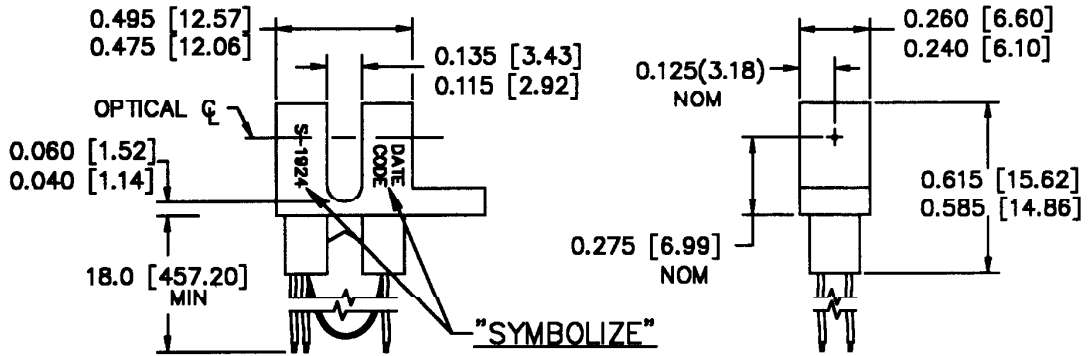
CODE IDENT.
1FZ43

DRAWING NO. S-1924

REVISION G

SHEET 2 OF 7

PACKAGE OUTLINE



UNLESS OTHERWISE SPECIFIED
 DIMENSIONS ARE IN INCHES [MILLIMETERS]
 TOLERANCES
 DECIMALS ANGULAR
 .XX= ±.01 ±0.5°
 .XXX= ±.005

DO NOT SCALE DRAWING

CLAROSTAT

SENSORS AND CONTROLS GROUP

SIZE
A

CODE IDENT.
1FZ43

DWG. NO.

S-1924

REVISION

G

SHEET 3 OF 7

ELECTRICAL TEST PROCEDURE

PART NUMBER: S-1924

TEST CONDITIONS	PRODUCTION LIMITS		Q.C. LIMITS		UNITS
	MIN	MAX	MIN	MAX	
LED Vf: If = 20mA Ir: Vr = 3V		1.6 90		1.7 100	V μA
SENSOR Operating Vcc @ Icc = 5.0V Icc: Vcc = 5.0V Output Current: Vout = 12V		18 8	4.75	5.25 20 10	V mA μA
COUPLED Von: If = 10mA, Vce = 5V, Rl = 360Ω Voff: If = 0mA, Vce = 5V, Rl = 360Ω	4.75	.35	4.5	.40	V

IMPORTANT:
 Output MUST switch back to Von level after light is blocked

CLAROSTAT SENSORS AND CONTROLS GROUP	SIZE A	CODE IDENT. 1FZ43	DRAWING NO.	S-1924
	REVISION	G	SHEET	4 OF 7

ASSEMBLY PROCEDURE

1.0 SOLDER

- 1.1 Trim LED and sensor leads to 0.1".
- 1.2 Twist the tinned part of the 30 gauge black wire (750-3000-01) around the black wire (750-2200-11) and lap solder both wires to the cathode of the LED, per Figure #1. Lap solder the other 3 wires:

Red- Anode	Blue - Output	White - Vce
------------	---------------	-------------

2.0 Q.C. TOLL SOLDER

3.0 ASSEMBLE

- 3.1 Insert the LED into the housing on the side closest to the tab.
- 3.2 Insert the sensor wires through the housing, but don't put the sensor in the housing yet.
- 3.3 Run the short wire from the cathode up through the bottom of the housing and lap solder to the ground of the sensor.
- 3.4 Insert the sensor into the housing and snap on the caps, red cap over the Led and blue/blk cap over the sensor per figure #2.
- 3.5 Pot with black epoxy-patch (X331040) (thinned to working consistency with alcohol) as shown in figure #2. (Insure that epoxy is not so thin it will run over lens of discrettes.)

4.0 SYMBOLIZE (per Package Outline)

S-1924
Date Code
Mexico (if applicable)

5.0 ELECTRICAL TEST 100%

- 5.1 Test per electrical specification.

6.0 FINAL Q.C.

- 6.1 Use this document as the controlling document.

CLAROSTAT SENSORS AND CONTROLS GROUP	SIZE A	CODE IDENT. 1FZ43	DRAWING NO. S-1924
	REVISION G	SHEET 5 OF 7	

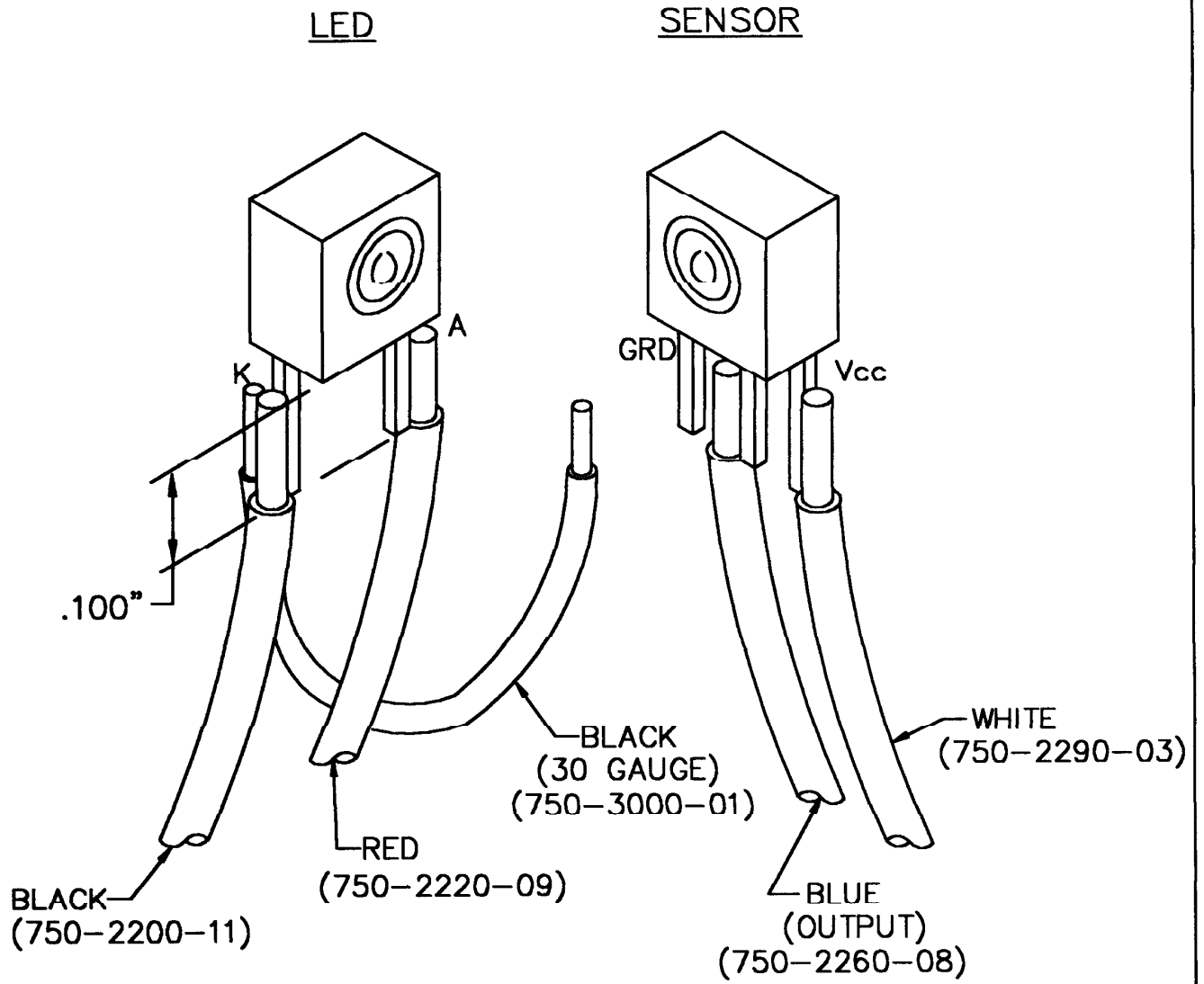


FIGURE #1

<div style="border: 1px solid black; padding: 5px; display: inline-block;"> <p style="margin: 0; font-size: 1.2em; font-weight: bold;">CLAROSTAT</p> </div> <p style="margin: 0; font-size: 0.8em;">SENSORS AND CONTROLS GROUP</p>	SIZE A	CODE IDENT. 1FZ43	DWG. NO. S-1924
	REVISION G		SHEET 6 OF 7

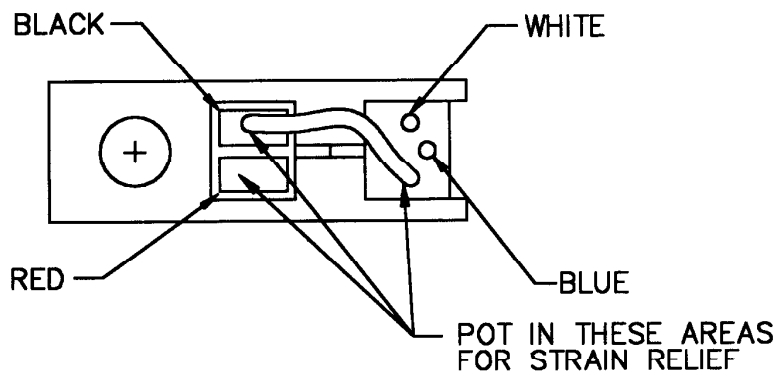
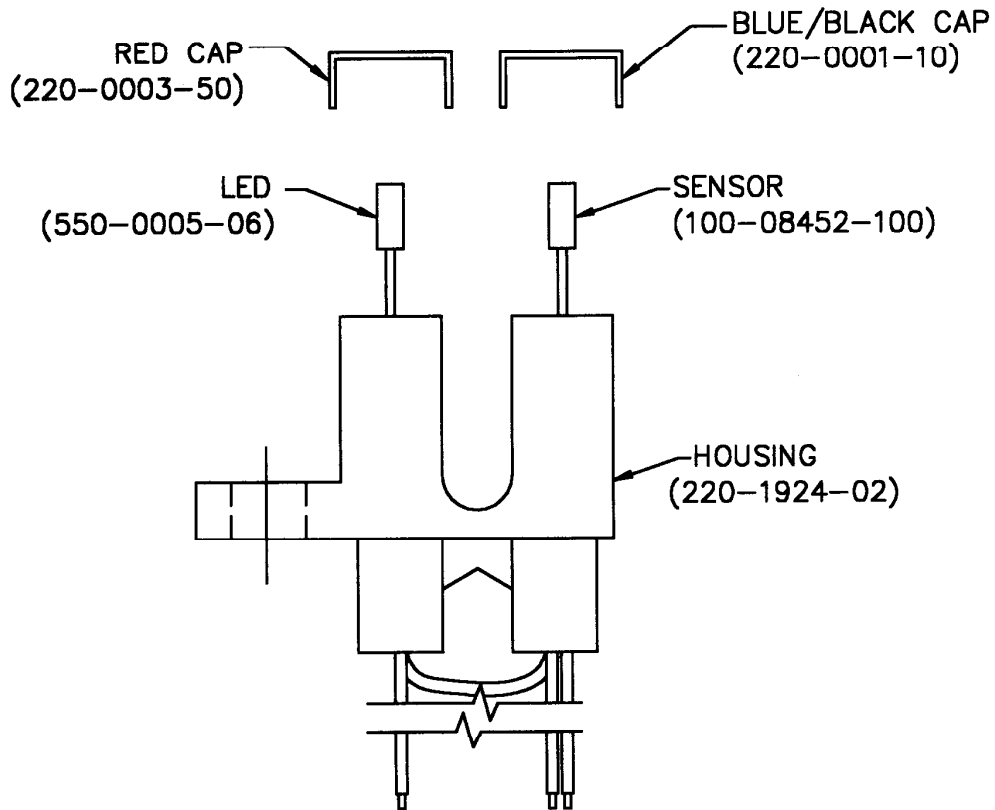


FIGURE #2

CLAROSTAT

SENSORS AND CONTROLS GROUP

SIZE
A

CODE IDENT.
1FZ43

DWG. NO. S-1924

REVISION G

SHEET 7 OF 7