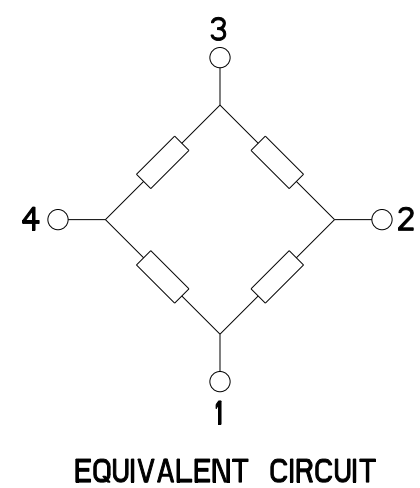


HONEYWELL PART NUMBER
SCDA120-XSC05DC

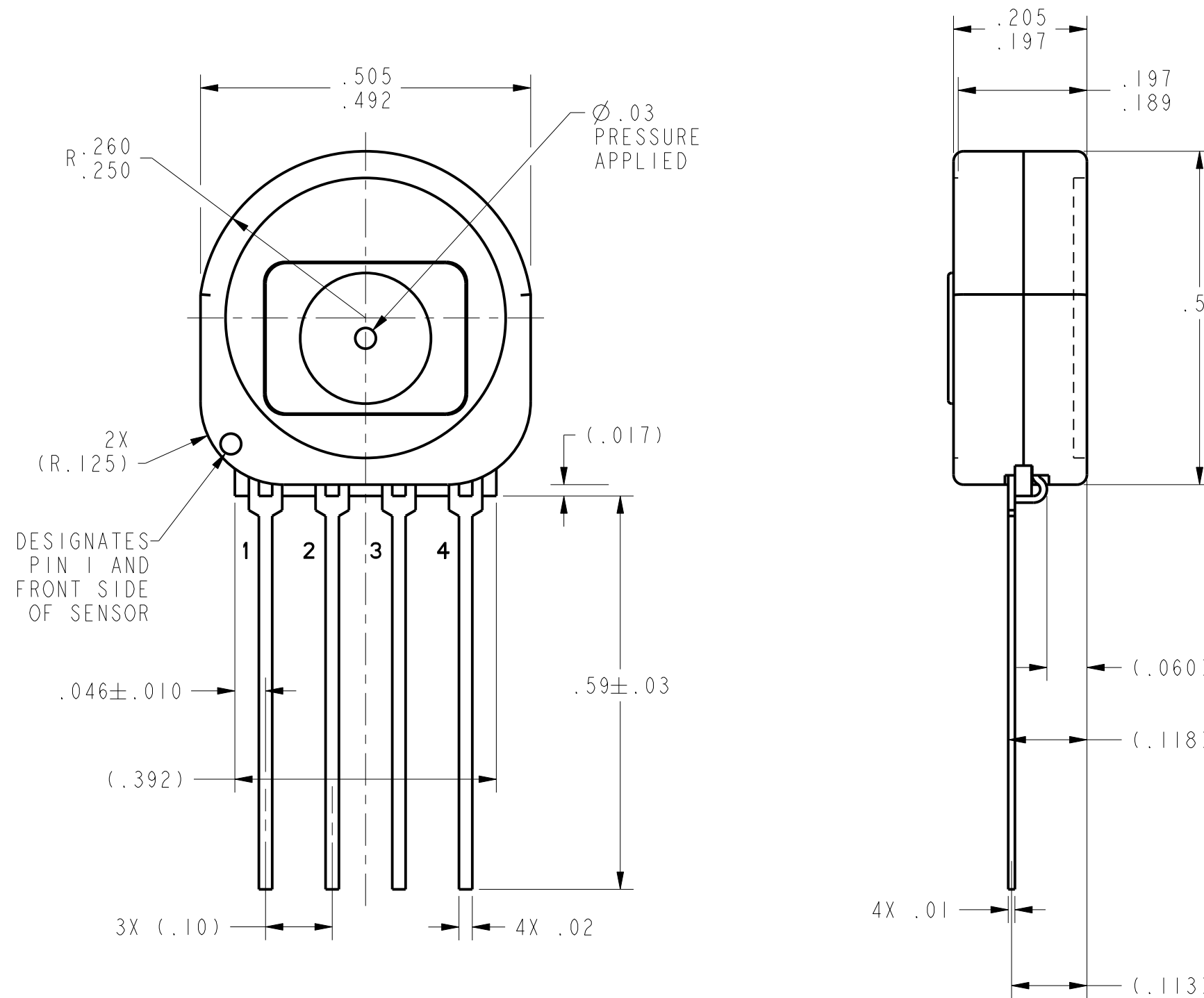
REV	DOCUMENT	CHANGED BY	CHECK
A	0008212	DVM 06OCT04	AK
B	0009154	KSR 08NOV04	AK

PERFORMANCE AT 25°C AND 12±0.01 V _{dc} (UNLESS OTHERWISE STATED)					FULL SCALE PRESSURE PSID	PROOF PRESSURE PSID	BURST PRESSURE PSID
SCDA120-XSC05DC	MIN	NOM	MAX	UNITS			
OFFSET (0 PSID)	-1	0	1	mV _{dc}	5	15	25
SPAN = (FULL SCALE - OFFSET)	57	60	63	mV _{dc}			
COMBINED LINEARITY AND HYSTERESIS Δ ³	---	0.25	1	%FS			
NULL SHIFT OVER TEMPERATURE (0-25, 25-70 °C)	---	---	±1	mV			
SPAN SHIFT OVER TEMPERATURE (0-25, 25-70 °C)	---	---	±2	%FS			

GENERAL OPERATING CHARACTERISTICS	ALL PRESSURES AND GRADES			
	MIN	NOM	MAX	UNITS
EXCITATION VOLTAGE	3	12	16	V _{dc}
SUPPLY CURRENT	---	---	3.5	mA
INPUT RESISTANCE	5	---	---	k Ω
OUTPUT RESISTANCE	---	3	---	k Ω
OPERATING TEMPERATURE	-25	---	85	°C
STORAGE TEMPERATURE	-40	---	125	°C



PIN OUT	
1	-V EXCITATION
2	+ OUTPUT SIGNAL
3	+V EXCITATION
4	- OUTPUT SIGNAL



- NOTES
- SPAN IS THE ALGEBRAIC DIFFERENCE BETWEEN THE OUPUT AT FULL SCALE PRESSURE AND THE OUTPUT AT 0 PSID
 - TEMPERATURE ERROR IS CALCULATED WITH RESPECT TO 25°C
 - LINEARITY IS MEASURED AT 1/2 FULL SCALE PRESSURE USING BEST STRAIGHT LINE FIT
 - THE OUTPUT OF THE SENSOR IS PROPORTIONAL, RATIOMETRIC, TO THE EXCITATION VOLTAGE. THE EXCITATION MAY VARY BETWEEN 3 TO 16 V_{dc}. ALL SPECIFICATIONS WILL NOMINALLY BE CHANGED BY THE RATIO OF V_{EXCITATION}/12.0 V_{dc}
 - LIMIT SOLDERING TO 315°C FOR LESS THAN 10 SECONDS
 - PIN NO. 1 IS IDENTIFIED BY THE DOT ON THE HOUSING AS SHOWN ON THE VARIOUS DRAWINGS
 - APPLY PRESSURE AS INDICATED ON THE DRAWING
 - SENSORS ARE OPERATIONAL OVER VACUUM PRESSURE RANGE
 - INPUT MEDIA RESTRICTED TO DRY GASES ONLY

DESIGN UNITS: INCH TOLERANCES UNLESS NOTED:	DRAWN: DVM 06OCT04 CHECK: AK 06OCT04	Honeywell			
NO PLACE X ± 0 ONE PLACE .X ± 0.0 TWO PLACE .XX ± 0.01 THREE PLACE .XXX ± 0.005 FOUR PLACE .XXXX ± 0.0005 ANGLES X ± 3	THIS DRAWING COVERS A PROPRIETARY ITEM AND IS THE PROPERTY OF HONEYWELL. THIS DRAWING IS NOT TO BE COPIED OR USED WITHOUT THE PERMISSION OF HONEYWELL.			TITLE: PRESSURE SENSOR	
THIRD ANGLE PROJECTION	INTERPRET PER ASME Y14.5M-1994 OTHER HONEYWELL ENGINEERING STANDARDS MAY APPLY	SIZE: C	TYPE: I	DRAWING NAME: SCDA120-XSC05DC	REV: B
	Pro/ENGINEER 3D	SCALE: 5:1	SHEET 1 OF 1		