

MICRO SWITCH
a Honeywell Division

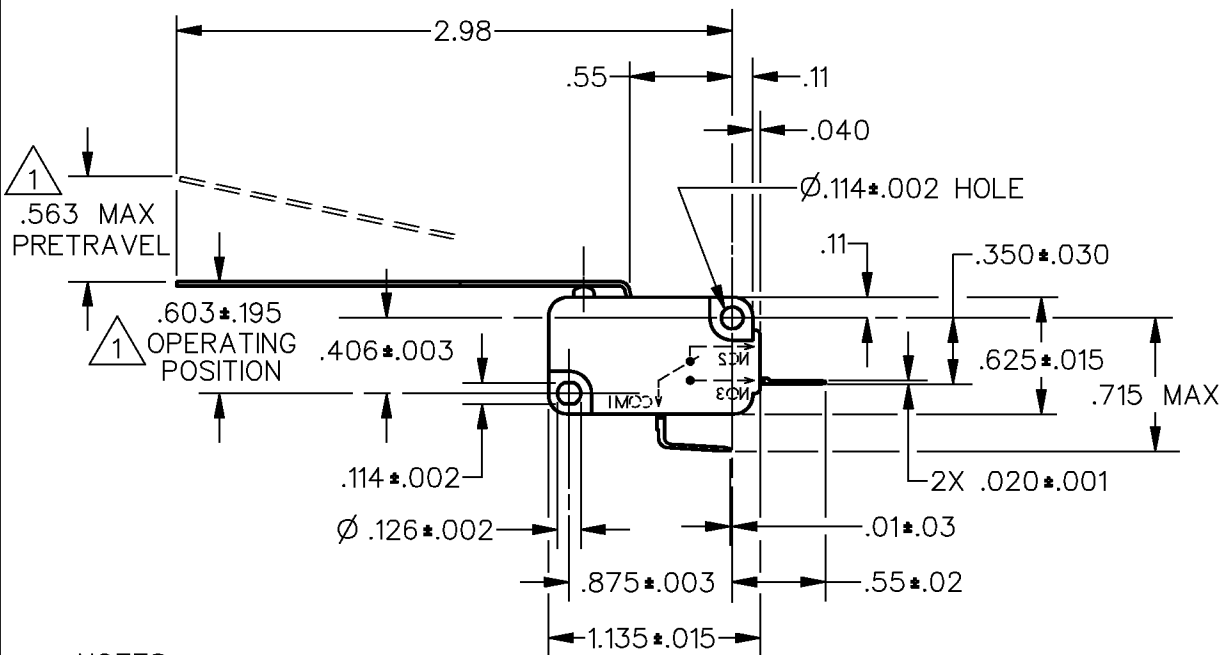
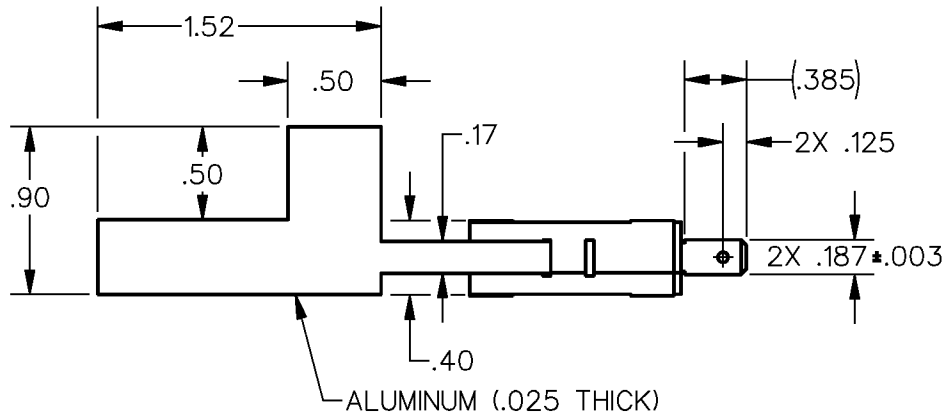
FED. MFG. CODE 91 929

SWITCH-BASIC

CATALOG LISTING

V7-5F23D8-636-1

CW-C5003



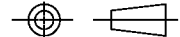
NOTES

- 1 ALL CHARACTERISTICS TAKEN WITH SWITCH MOUNTING SURFACE HORIZONTAL
- 2 - THE MASS OF THE LEVER MAY PREVENT PLUNGER FROM RETURNING THE LEVER TO FREE POSITION
- 3 - CAUTION: OVERTRAVEL FORCE ON LEVER MUST NOT RESULT IN AN OVERTRAVEL FORCE ON PLUNGER EXCEEDING ONE OUNCE
- 4 - SWITCH MATERIAL WILL WITHSTAND TEMPERATURE OF 150°C

ANSI Y14.5M-1982 APPLIES

THIS DRAWING COVERS A PROPRIETARY ITEM AND IS THE PROPERTY OF MICRO SWITCH, A DIVISION OF HONEYWELL. THIS DRAWING IS NOT TO BE COPIED OR USED WITHOUT THE APPROVAL OF MICRO SWITCH.

THIRD ANGLE PROJECTION



CHARACTERISTICS	1
OPERATING FORCE	2 GRAM MAX
DIFFERENTIAL TRAVEL	.126 MAX
OVERTRAVEL	.241 MIN
RELEASE TRAVEL	.066 MIN

ELECTRICAL DATA

CONTACT ARRANGEMENT
S P N O

L163 3A 125, 250, 277 VAC
1/10HP 250 VAC

SCALE FULL DO NOT SCALE PRINT

UNLESS OTHERWISE SPECIFIED TOLERANCES ARE

ONE PLACE (.0)	±.030
TWO PLACE (.00)	±.015
THREE PLACE (.000)	±.005
ANGLES	±

WEIGHT



CATALOG LISTING
V7-5F23D8-636-1
PAGE 1 OF 1

ISSUE
M
3

REVISIONS
A CO-94495
TSM
3 MAR 99
B 0011276
PM
16 FEB 05

DDM/CAD
DRAWN
TSM
9 JUL 98

X111217-V7
REPLACES
PR-23778
CHECK
CHECK
5 FEB 99
JAF
CHECK
98