

REV	DOCUMENT	CHANGED BY	CHECK
1	202769	TRF 04APR01	SAV

SERIES XSC

DESIGNATES PRESSURE
- NO DESIGNATION (PSI)

PRESSURE RANGE
05, 15, 30,
60, 100, 150 PSIA

ACCURACY GRADE
C - COMMERCIAL GRADE
H - HIGH GRADE

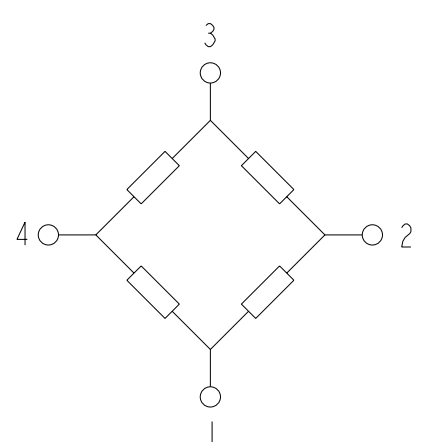
PORT OPTION
F - AXIAL
- NO PORT

PRESSURE REFERENCE
A - ABSOLUTE

CATALOG LISTINGS	
XSC15AFC	
XSC30AFC	

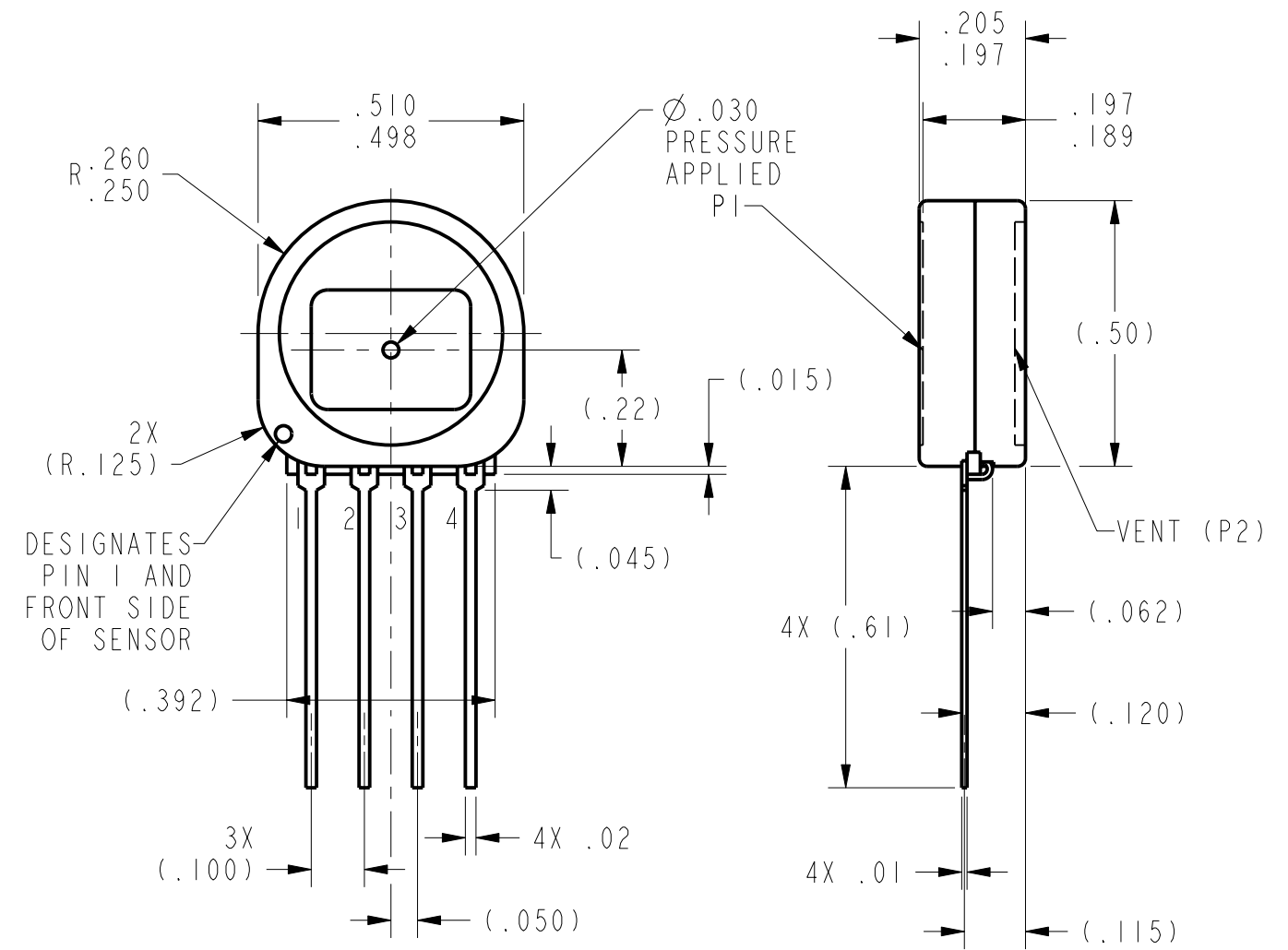
XSC A STYLE (ABSOLUTE)	PERFORMANCE AT 25°C AND 12±0.01 Vdc (UNLESS OTHERWISE STATED)									
	C-GRADE			H-GRADE			UNITS	FULL SCALE PRESSURE PSI	PROOF PRESSURE PSI	BURST PRESSURE PSI
	MIN	NOM	MAX	MIN	NOM	MAX				
OFFSET (0 PSIA) $\Delta 1$	-1	0	1				mV			
5 PSIA SPAN (P1>P2)	57	60	63				mV	5	15	25
15 PSIA SPAN (P1>P2)	85	90	95				mV	15	45	75
30 PSIA SPAN (P1>P2)	85	90	95				mV	30	90	150
60 PSIA SPAN (P1>P2)	85	90	95				mV	60	180	300
100 PSIA SPAN (P1>P2)	95	100	105				mV	100	250	400
150 PSIA SPAN (P1>P2)	85	90	95				mV	150	250	400
COMBINED LINEARITY AND HYSTERESIS $\Delta 4$	---	0.25	1				%SPAN			
NULL SHIFT OVER TEMPERATURE (0-25, 25-70°C) $\Delta 3$	-1	---	1				mV			
SPAN SHIFT OVER TEMPERATURE (0-25, 25-70°C) $\Delta 3$	-2	---	2				%SPAN			

GENERAL OPERATING CHARACTERISTICS	ALL PRESSURES AND GRADES			UNITS
	MIN	NOM	MAX	
EXCITATION VOLTAGE	3	12	16	Vdc
INPUT RESISTANCE	5	---	---	K-OHMS
OUTPUT RESISTANCE	---	3	---	K-OHMS
OPERATING TEMPERATURE	-25	25	85	°C
STORAGE TEMPERATURE	-40	---	125	°C

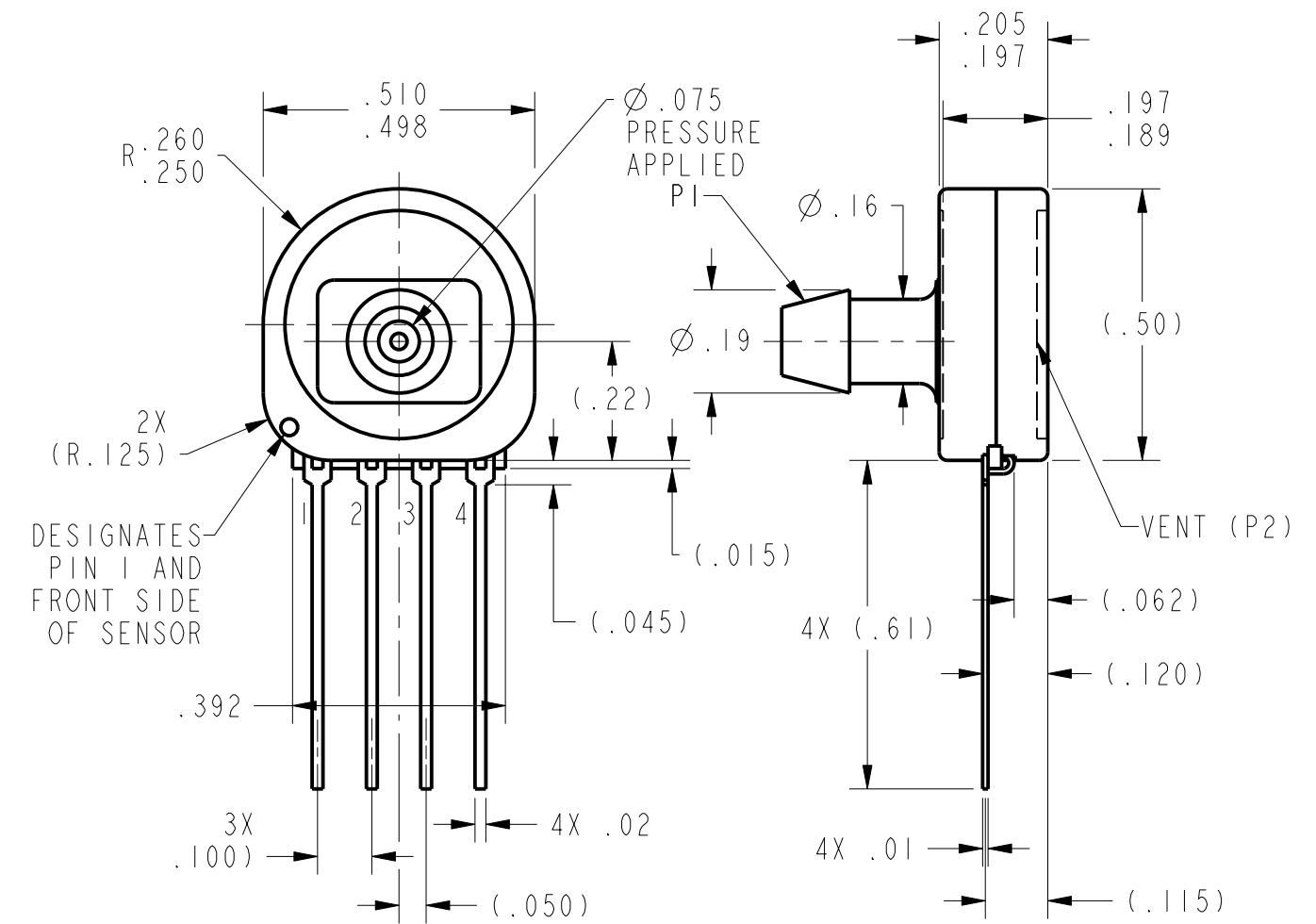


EQUIVALENT CIRCUIT

PIN OUT	
1	-V EXCITATION
2	+ OUTPUT SIGNAL
3	+ V EXCITATION
4	- OUTPUT SIGNAL



A HOUSING



AF HOUSING

- NOTES**
- OFFSET IS A CALCULATED VALUE AS FOLLOWS:
2 POINTS (0.5 PSIA AND FULL SCALE PRESSURE) ARE USED TO ESTABLISH THE LINE FROM WHICH THE OFFSET IS CALCULATED
 - SPAN IS THE ALGEBRAIC DIFFERENCE BETWEEN THE OUPUT AT FULL SCALE PRESSURE AND THE OFFSET OUTPUT
 - TEMPERATURE ERROR IS CALCULATED WITH RESPECT TO 25°C
 - LINEARITY IS MEASURED AT 1/2 FULL SCALE PRESSURE USING BEST STRAIGHT LINE FIT
 - THE OUTPUT OF THE SENSOR IS PROPORTIONAL, RATIOMETRIC, TO THE EXCITATION VOLTAGE. ALL SPECIFICATIONS WILL NOMINALLY BE CHANGED BY THE RATIO OF $V_{EXCITATION}/12.0$ Vdc
 - LIMIT SOLDERING TO 315°C FOR LESS THAN 10 SECONDS
 - APPLYING PRESSURE TO PORT 1 RESULTS IN POSITIVE GOING OUTPUT
 - PI INPUT MEDIA RESTRICTED TO DRY GASES ONLY

UNLESS OTHERWISE SPECIFIED TOLERANCES ARE:	<input checked="" type="checkbox"/> US (inch) CUSTOMARY	<input type="checkbox"/> SI (mm) METRIC	DRAWN	TRF	04APR01	Honeywell Sensing and Control			
NO PLACE	X		CHECK	SAV	04APR01				TITLE PRESSURE SENSOR
ONE PLACE	.X		THIS DRAWING COVERS A PROPRIETARY ITEM AND IS THE PROPERTY OF HONEYWELL SENSING AND CONTROL. THIS DRAWING IS NOT TO BE COPIED OR USED WITHOUT THE PERMISSION OF HONEYWELL.			SIZE	DWG TYPE	DRAWING NAME	REV
TWO PLACE	.XX					C	I	XSC ABS SERIES CHART 1	1
THREE PLACE	.XXX		3D PTC	ASME Y14.5M-1994	SCALE	3:1	WEIGHT	SHEET	1 OF 1