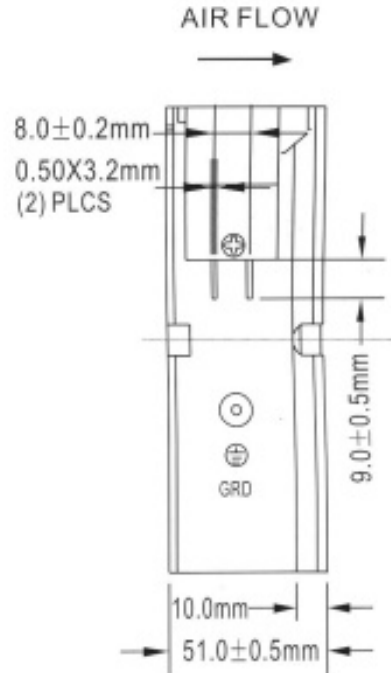
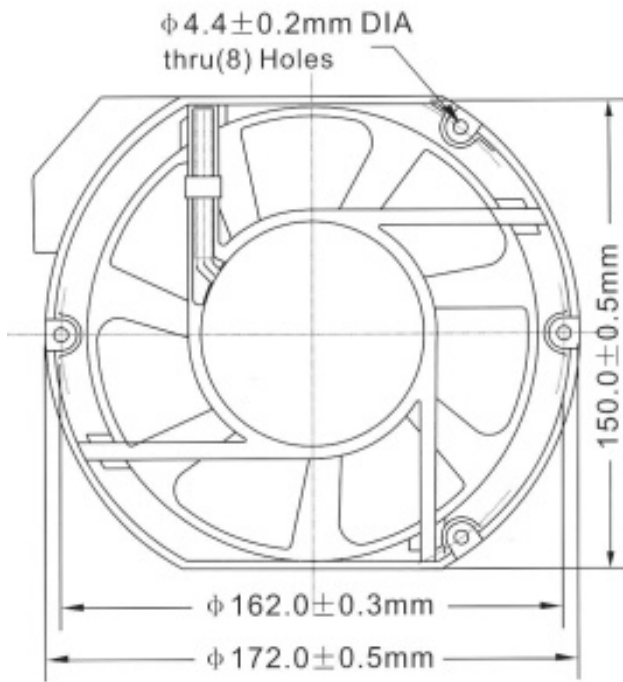




- [ORION FANS](#)
- [About Us](#)
- [Contact Us](#)
- [News](#)
- [Tech Info](#)
- [Our Products](#)
- [Distributors](#)
- [Representation](#)
- [FAQ](#)
- [How to Purchase](#)



[PDF](#)

[XC Menu](#)



ISO 9000/2001

Part Number	OA172SAP-11-1TBXC	OA172SAP-22-1TBXC
Nom. Voltage	120VAC	230VAC
Voltage Range	100 ~ 125VAC	200 ~ 240VAC
Nom. Amp	0.40A	0.22A
Power	50 Watts	50 Watts
Speed (RPM)	3300	3300
Airflow (CFM)	300	300
Noise (dB)	61	61
Max. Stat. Pres.	0.78" H2O	0.78" H2O
Bearing Sys.	Sealed Dual Ball	Sealed Dual Ball
Insulation	Class B	Class B

0 A172XC SERIES

