

Flush-type connector - SACC-CI-M12MSM-5PE-L180 THR T



1420822

<https://www.phoenixcontact.com/pc/products/1420822>

Please be informed that the data shown in this PDF document is generated from our Online Catalog. Please find the complete data in the user documentation. Our General Terms of Use for Downloads are valid.



Flush-type connector, Power, 6-position, Plug, straight, M - Power, PCB mounting, THR solder connection

Your advantages

- For compact devices: transmit high power in a confined space
- Reduced mounting costs thanks to two-piece device connector
- Packaging available for automated pick and place assembly
- All common pin assignments and codings available
- Easy device integration, thanks to mechanical port screw connections with threaded fastening
- Additional gasket for the device when not plugged in

Flush-type connector - SACC-CI-M12MSM-5PE-L180 THR T



1420822

<https://www.phoenixcontact.com/pc/products/1420822>

Commercial Data

Item number	1420822
Packing unit	60 pc
Minimum order quantity	60 pc
Note	Made to Order (non-returnable)
Product Key	ABQEAC
GTIN	4055626280677
Weight per Piece (including packing)	4.747 g
Weight per Piece (excluding packing)	4.747 g
Customs tariff number	85366990
Country of origin	DE

Flush-type connector - SACC-CI-M12MSM-5PE-L180 THR T



1420822

<https://www.phoenixcontact.com/pc/products/1420822>

Technical Data

Notes

Notes on operation	The electrical and mechanical data specified assume that the connector pair is correctly locked and mounted. If the connector is unlocked and if there is a danger of contamination, the connector must be sealed using a protective cap > IP54. Influences arising from litz wires, cables or PCB assembly must also be taken into consideration.
--------------------	--

Product properties

Product type	Contact insert
Number of positions	6
Coding	M - Power

Insulation characteristics

Overvoltage category	III
Degree of pollution	3

Electrical properties

Rated surge voltage	6 kV
Nominal voltage U_N	630 V
Nominal current I_N	8 A

Interfaces

Signal type/category	Power
----------------------	-------

Material specifications

Flammability rating according to UL 94	V0
Sealing material	FKM
Contact material	CuZn
Contact surface material	Au
Contact carrier material	PA4T

Connector

Insertion/withdrawal cycles	> 100
-----------------------------	-------

Header 1

Head design	Plug
Head cable outlet	straight
Coding	M - Power

Cable / line

Cable structure

Signal type/category	Power
----------------------	-------

Flush-type connector - SACC-CI-M12MSM-5PE-L180 THR T



1420822

<https://www.phoenixcontact.com/pc/products/1420822>

Environmental and real-life conditions

Ambient conditions

Degree of protection (when plugged in)	IP67 (correctly plugged in and locked)
Degree of protection	IP67 (correctly plugged in and locked)
Degree of protection	IP67, when plugged in
Ambient temperature (operation)	-25 °C ... 105 °C
	-40 °C ... 105 °C (without mechanical actuation)

Standards and regulations

M12

Standards/specifications	IEC 61076-2-111
--------------------------	-----------------

Mounting

Mounting type	PCB mounting
---------------	--------------

Packaging specifications

Type of packaging	Tray
Delivery state	with assembly pad

Flush-type connector - SACC-CI-M12MSM-5PE-L180 THR T

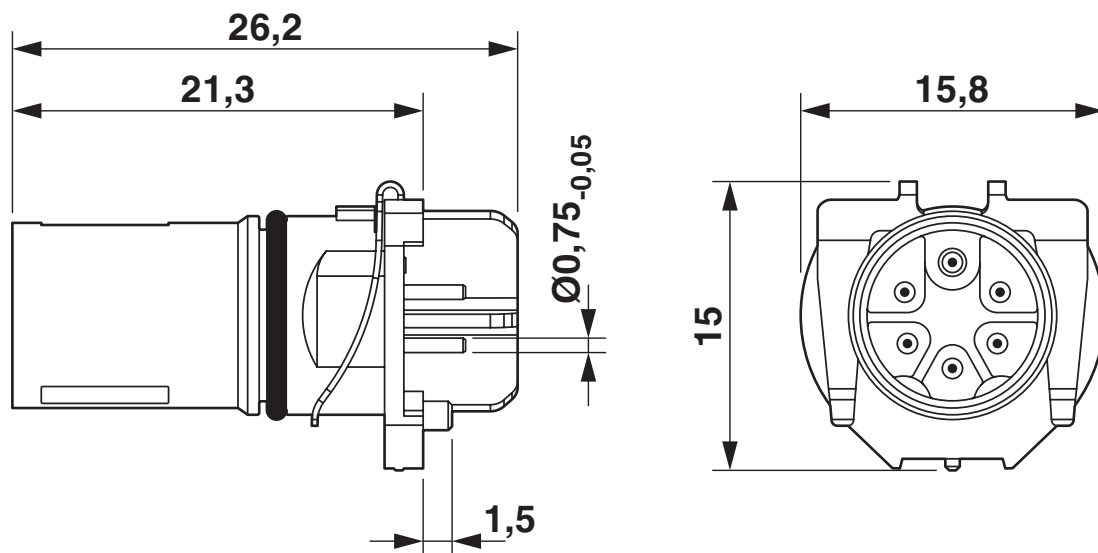


1420822

<https://www.phoenixcontact.com/pc/products/1420822>

Drawings

Dimensional drawing



M12 flush-type connector

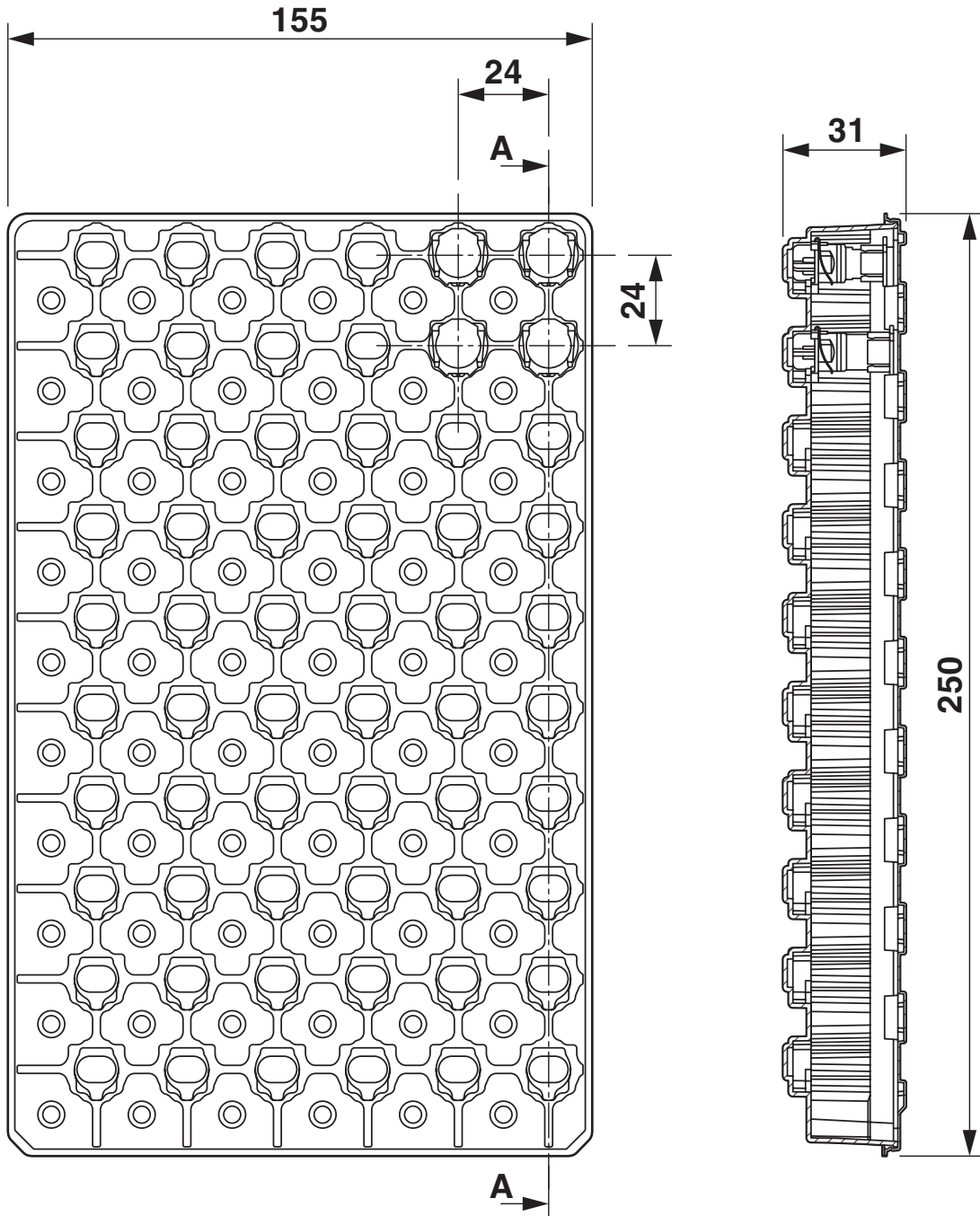
Flush-type connector - SACC-CI-M12MSM-5PE-L180 THR T



1420822

<https://www.phoenixcontact.com/pc/products/1420822>

Dimensional drawing



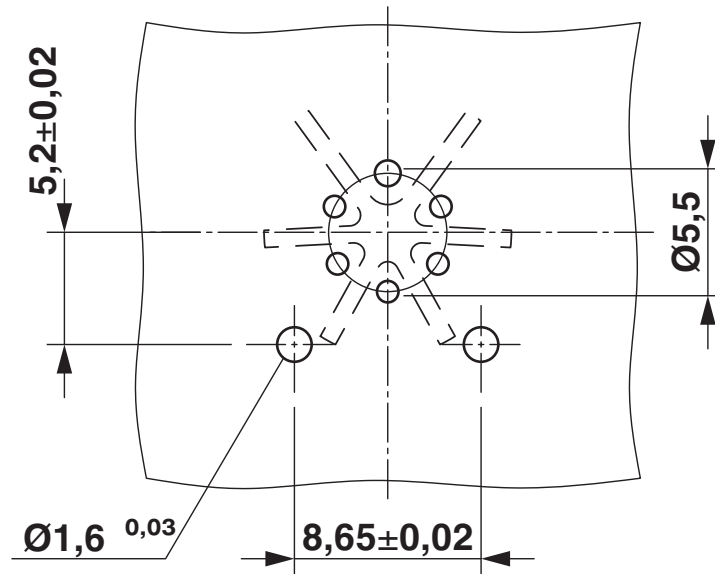
THR tray packaging

Flush-type connector - SACC-CI-M12MSM-5PE-L180 THR T

1420822

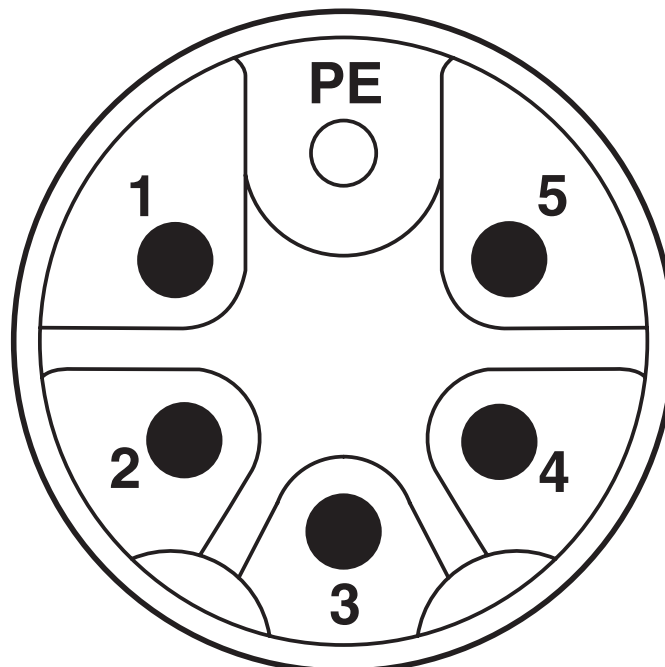
<https://www.phoenixcontact.com/pc/products/1420822>

Drilling plan/solder pad geometry



Soldering pad geometry

Schematic diagram



Pin assignment of M12 connector, 6-pos., M-coded, pin side view

Flush-type connector - SACC-CI-M12MSM-5PE-L180 THR T



1420822

<https://www.phoenixcontact.com/pc/products/1420822>

Approvals



EAC

Approval ID: B.01687



cULus Recognized

Approval ID: E468743-20180113

	Nominal Voltage U_N	Nominal Current I_N	Cross Section AWG	Cross Section mm^2
	600 V	10 A	-	-

Flush-type connector - SACC-CI-M12MSM-5PE-L180 THR T



1420822

<https://www.phoenixcontact.com/pc/products/1420822>

Classifications

ECLASS

ECLASS-9.0	27440103
ECLASS-10.0.1	27440109
ECLASS-11.0	27440109

ETIM

ETIM 8.0	EC003569
----------	----------

UNSPSC

UNSPSC 21.0	39121400
-------------	----------

Flush-type connector - SACC-CI-M12MSM-5PE-L180 THR T



1420822

<https://www.phoenixcontact.com/pc/products/1420822>

Environmental Product Compliance

REACH SVHC	Lead 7439-92-1
China RoHS	Environmentally Friendly Use Period = 50 years
	For information on hazardous substances, refer to the manufacturer's declaration available under "Downloads"

Flush-type connector - SACC-CI-M12MSM-5PE-L180 THR T



1420822

<https://www.phoenixcontact.com/pc/products/1420822>

Accessories

Sample set

Sample set - SACC-CIM12MSM5PEL180THRSAMPLE - 1423427

<https://www.phoenixcontact.com/pc/products/1423427>



Sample set, Universal, 6-position, Plug, straight, M - Power, PCB mounting, THR solder connection

Housing screw connection

Housing screw connection - SACC-FP-M-M12/M14 THR PW - 1420824

<https://www.phoenixcontact.com/pc/products/1420824>



Housing screw connection with M12 standard thread, with O-ring, for 2-piece K, L, and M-coded THR contact carriers

Flush-type connector - SACC-CI-M12MSM-5PE-L180 THR T

1420822

<https://www.phoenixcontact.com/pc/products/1420822>

Housing screw connection

Housing screw connection - SACC-BP-M-M12/M15-6-THR PW - 1420826

<https://www.phoenixcontact.com/pc/products/1420826>



Housing screw connection with M12 standard thread, with O-ring, for 2-piece K, L, and M-coded THR contact carriers

Housing screw connection

Housing screw connection - SACC-FP-M-M12-THR PW PP - 1108115

<https://www.phoenixcontact.com/pc/products/1108115>



Housing screw connection with M12 standard thread, push-pull, with O-ring, for 2-piece K-, L-, and M-coded THR contact carriers

Flush-type connector - SACC-CI-M12MSM-5PE-L180 THR T



1420822

<https://www.phoenixcontact.com/pc/products/1420822>

Housing screw connection

Housing screw connection - SACC-BP-M-M12-THR PW PP - 1108101

<https://www.phoenixcontact.com/pc/products/1108101>



Housing screw connection with M12 standard thread, push-pull, with O-ring, for 2-piece K-, L-, and M-coded THR contact carriers

Phoenix Contact 2022 © - all rights reserved

<https://www.phoenixcontact.com>

PHOENIX CONTACT GmbH & Co. KG

Flachsmarktstraße 8

D-32825 Blomberg

+49 (0) 5235-3 00

info@phoenixcontact.com