

Device connector, front mounting - ST-3EP1N8AAD00S

1607673

<https://www.phoenixcontact.com/au/products/1607673>

Please be informed that the data shown in this PDF document is generated from our Online Catalog. Please find the complete data in the user documentation. Our General Terms of Use for Downloads are valid.



Device connector, front mounting, angled rotatable, SPEEDCON locking, M17, number of positions: 3+PE, type of contact: Pin, Axial O-ring, 4x Ø2,7, shielded: yes, flange dimensions: 21.6 mm x 21.6 mm, degree of protection: IP67, number of positions: 4, connection method: Crimp connection, series: ST

Device connector, front mounting - ST-3EP1N8AAD00S



1607673

<https://www.phoenixcontact.com/au/products/1607673>

Commercial Data

Item number	1607673
Packing unit	16 pc
Minimum order quantity	16 pc
Sales Key	ABRCAL
Product Key	ABRCAL
GTIN	4046356273800
Weight per Piece (including packing)	90.615 g
Weight per Piece (excluding packing)	75.35 g
Customs tariff number	85366990
Country of origin	DE

Device connector, front mounting - ST-3EP1N8AAD00S



1607673

<https://www.phoenixcontact.com/au/products/1607673>

Technical Data

Notes

Order information:	Order crimp contacts Ø 2 mm separately
--------------------	--

Safety note

Safety note	WARNING: The connectors may not be plugged in or disconnected under load. Ignoring the warning or improper use may damage persons and/or property.
	<ul style="list-style-type: none">• WARNING: Commission properly functioning products only. The products must be regularly inspected for damage. Decommission defective products immediately. Replace damaged products. Repairs are not possible.
	<ul style="list-style-type: none">• WARNING: Only electrically qualified personnel may install and operate the product. They must observe the following safety notes. The qualified personnel must be familiar with the basics of electrical engineering. They must be able to recognize and prevent danger. The relevant symbol on the packaging indicates that only personnel familiar with electrical engineering are allowed to install and operate the product.
	<ul style="list-style-type: none">• The products are suitable for applications in plant, controller, and electrical device engineering.
	<ul style="list-style-type: none">• When operating the connectors in outdoor applications, they must be separately protected against environmental influences.
	<ul style="list-style-type: none">• Assembled products may not be manipulated or improperly opened.
	<ul style="list-style-type: none">• Only use mating connectors that are specified in the technical data of the standards listed (e.g. the ones listed in the product accessories online at phoenixcontact.com/products).
	<ul style="list-style-type: none">• When using the product in direct connection with third-party manufacturers, the user is responsible.
	<ul style="list-style-type: none">• For operating voltages > 50 V AC, conductive connector housings must be grounded
	<ul style="list-style-type: none">• Ensure that the protective or functional ground has been properly connected.
	<ul style="list-style-type: none">• VDE 0100/1.97 § 411.1.3.2 and DIN EN 60 204/11.98 § 14.1.3 are applicable when combining several circuits in a cable and/or connector
	<ul style="list-style-type: none">• Only use tools recommended by Phoenix Contact
	<ul style="list-style-type: none">• The installation notes/Design In documents online on the download page at phoenixcontact.com/products must be observed for this product.
	<ul style="list-style-type: none">• Operate the connector only when it is fully plugged in and interlocked.
<ul style="list-style-type: none">• Ensure that when laying the cable, the tensile load on the connectors does not exceed the upper limit specified in the standards.	
<ul style="list-style-type: none">• Observe the minimum bending radius of the cable. Lay the cable without twisting it.	
<ul style="list-style-type: none">• The connector warms up in normal operation. Depending on the ambient conditions, the surface of the connector can continue to warm up. In this case, the user is responsible for posting	

Device connector, front mounting - ST-3EP1N8AAD00S



1607673

<https://www.phoenixcontact.com/au/products/1607673>

warnings (e.g. DIN EN ISO 13732-1:2008-12).

Product properties

Product type	Circular connectors (device side)
Number of positions	4
Connection profile	3+PE
Application	Power
Locking type	SPEEDCON locking
Series	ST
Shielded	yes
Coding	N
Thread type	M17

Ambient conditions

Degree of protection	IP67
Ambient temperature (operation)	-40 °C ... 125 °C
Altitude	3000 m

Dimensions

Housing

Flange dimensions	21.6 mm x 21.6 mm
-------------------	-------------------

Connector

Type	angled rotatable
Direction of rotation	Standard

Electrical properties

Contact

Contact diameter	2 mm
Max. current	20 A
Nominal voltage U_N	630 V
Overvoltage category	III
Rated surge voltage	6 kV

Contact

Contact diameter	2 mm
------------------	------

Material specifications

Seal material	FPM
Housing material	Turned parts: copper zinc alloy (CuZn), die-cast parts: zinc (GD-Zn)
Insulator material	PA 6.6
Gasket and O-ring material	FPM
Housing material	Metal

Device connector, front mounting - ST-3EP1N8AAD00S



1607673

<https://www.phoenixcontact.com/au/products/1607673>

Connection data

Conductor connection

Connection method	Crimp connection
-------------------	------------------

Mounting

Mounting	4x Ø2,7
----------	---------

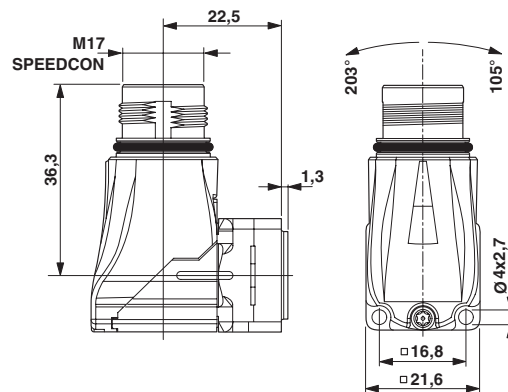
Device connector, front mounting - ST-3EP1N8AAD00S

1607673

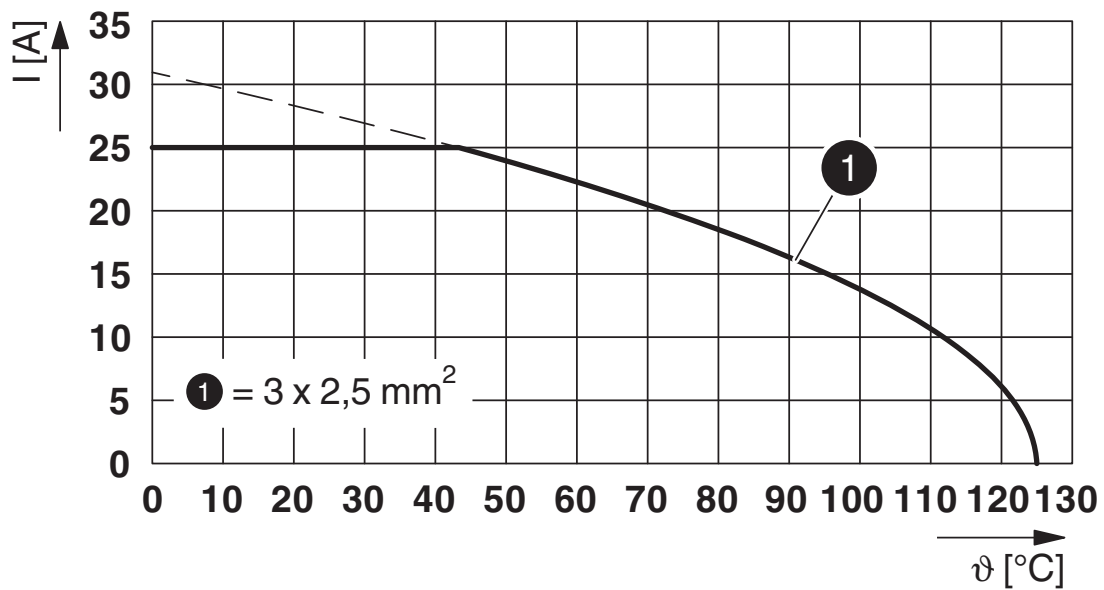
<https://www.phoenixcontact.com/au/products/1607673>

Drawings

Dimensional drawing



Diagram



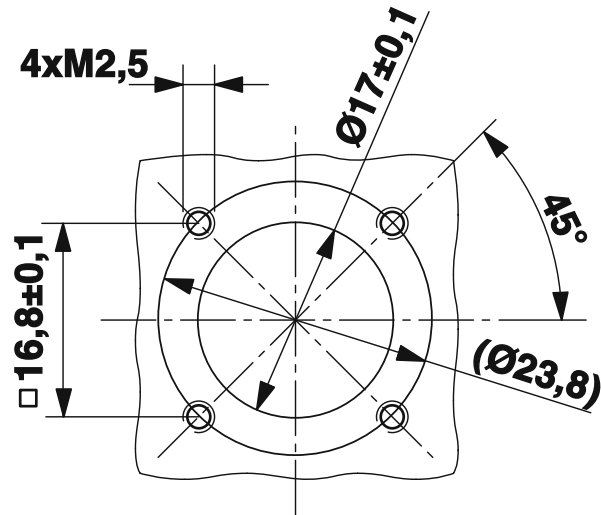
I = current strength, ϑ = ambient temperature, 3x 25 A

Device connector, front mounting - ST-3EP1N8AAD00S

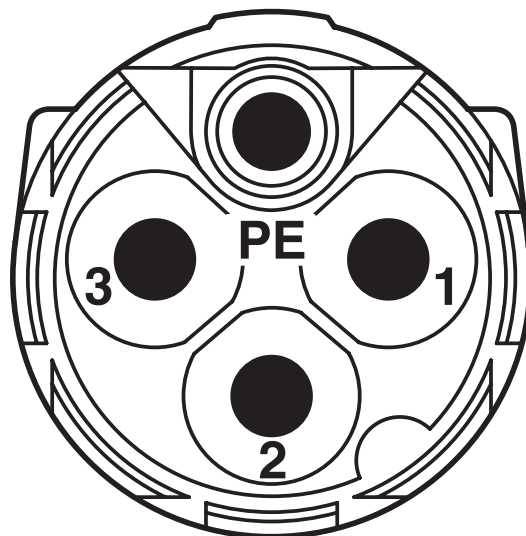
1607673

<https://www.phoenixcontact.com/au/products/1607673>

Dimensional drawing



Schematic diagram



Connector pin assignment

Device connector, front mounting - ST-3EP1N8AAD00S



1607673

<https://www.phoenixcontact.com/au/products/1607673>

Approvals



cUL Recognized
Approval ID: FILE E 335019



UL Recognized
Approval ID: FILE E 335019



EAC
Approval ID: B.01687



UL Listed
Approval ID: E468743-20210825

	Nominal Voltage U_N	Nominal Current I_N	Cross Section AWG	Cross Section mm^2
Power	600 V	20 A	-	- 14



cUL Listed
Approval ID: E468743-20210825

	Nominal Voltage U_N	Nominal Current I_N	Cross Section AWG	Cross Section mm^2
Power	600 V	18 A	- 14	-



UL Recognized
Approval ID: E153698-20140124



cUL Recognized
Approval ID: E153698-20140124

cULus Listed

Device connector, front mounting - ST-3EP1N8AAD00S



1607673

<https://www.phoenixcontact.com/au/products/1607673>

Classifications

ECLASS

ECLASS-9.0	27440103
ECLASS-10.0.1	27440109
ECLASS-11.0	27440109

ETIM

ETIM 8.0	EC003569
----------	----------

UNSPSC

UNSPSC 21.0	39121400
-------------	----------

Device connector, front mounting - ST-3EP1N8AAD00S



1607673

<https://www.phoenixcontact.com/au/products/1607673>

Environmental Product Compliance

China RoHS	Environmentally friendly use period: unlimited = EFUP-e
	No hazardous substances above threshold values

Phoenix Contact 2022 © - all rights reserved
<https://www.phoenixcontact.com>

PHOENIX CONTACT PTY Ltd
Unit 7, 2-8 South Street
Rydalmere NSW 2116
1300 786 411
customerservice@phoenixcontact.com.au