

Samples - EV-T1G2C-DEMO-0,2M14ASBK01 - 1627648

Please be informed that the data shown in this PDF Document is generated from our Online Catalog. Please find the complete data in the user's documentation. Our General Terms of Use for Downloads are valid (<http://phoenixcontact.com/download>)




DEMO sample, AC Vehicle Connector, demonstration sample for trade fairs and customer visits, without function, with protective cap, Type 1, IEC 62196-2, SAE J1772, length: 0.2 m, Design line 2

Product Description

DEMO sample, Vehicle Connector, without function, demonstration sample for trade fairs and customer visits

Key Commercial Data

Packing unit	1 pc
GTIN	 4 055626 349824
GTIN	4055626349824
Weight per Piece (excluding packing)	540.000 g
Custom tariff number	85444290
Country of origin	Germany

Technical data

Product definition

Product type	DEMO sample, AC Vehicle Connector, demonstration sample for trade fairs and customer visits, without function, with protective cap
Type	C-Line
Standards/regulations	IEC 62196-2 SAE J1772
Charging standard	Type 1
Charging mode	Mode 3

Dimensions

Height	151.1 mm
--------	----------

Samples - EV-T1G2C-DEMO-0,2M14ASBK01 - 1627648

Technical data

Dimensions

Width	58 mm
Depth	236.1 mm
Conductor length	20 cm

Ambient conditions

Ambient temperature (operation)	-30 °C ... 50 °C
Ambient temperature (storage/transport)	-40 °C ... 80 °C
Max. altitude	5000 m (above sea level)
Degree of protection	IP44 (plugged in; when plugged in and ready to operate, the degree of protection is only ensued if both plug-in components are original products from Phoenix Contact or suitable standard-compliant products)
	IP54 (Protective cap)

Mechanical properties

Insertion/withdrawal cycles	> 10000
Insertion force	< 75 N
Withdrawal force	< 75 N

Design

Design line	C-Line
Housing color	black
Mating face color	black
Color handle area	gray
Actuating element color	silver
Color protective cap	black
Customer variations	On request

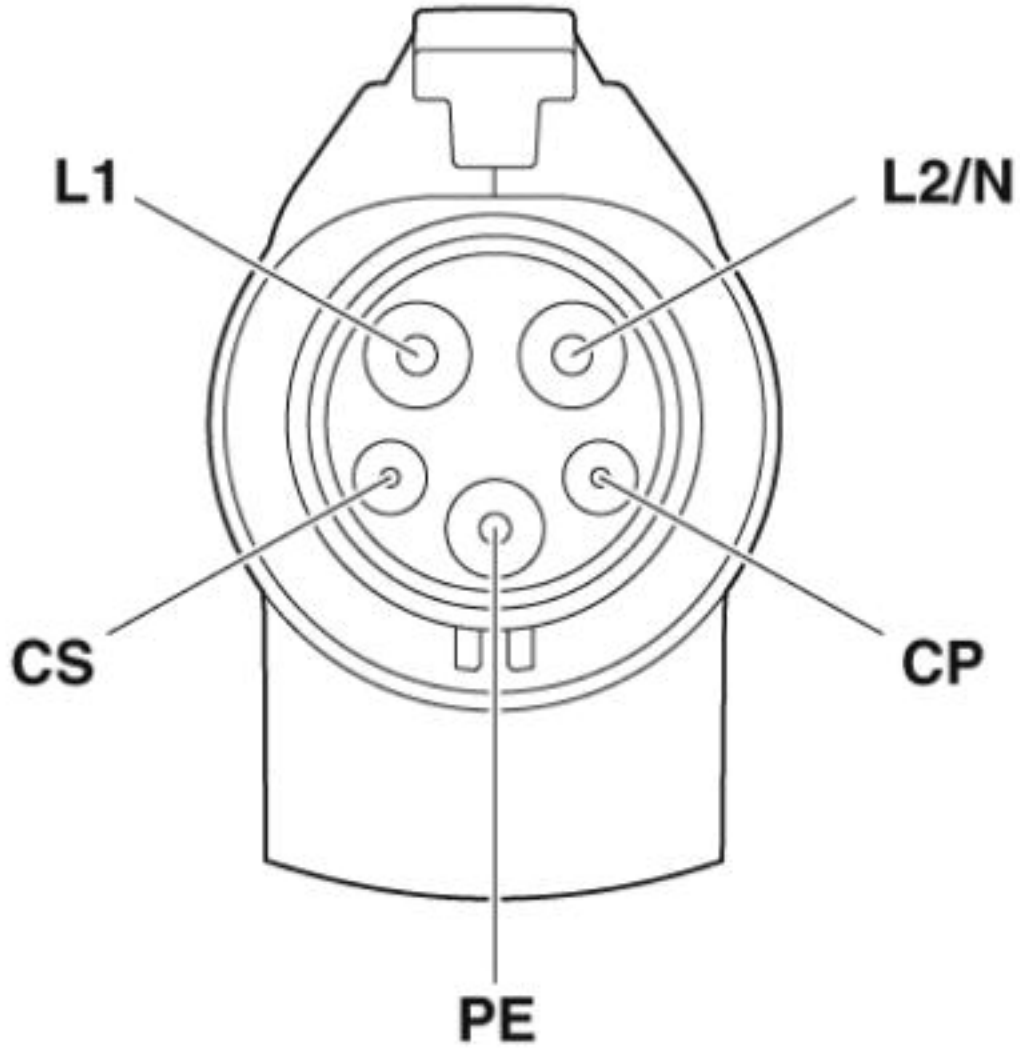
Environmental Product Compliance

	Lead 7439-92-1
China RoHS	Environmentally Friendly Use Period = 10;
	For details about hazardous substances go to tab "Downloads", Category "Manufacturer's declaration"

Drawings

Samples - EV-T1G2C-DEMO-0,2M14ASBK01 - 1627648

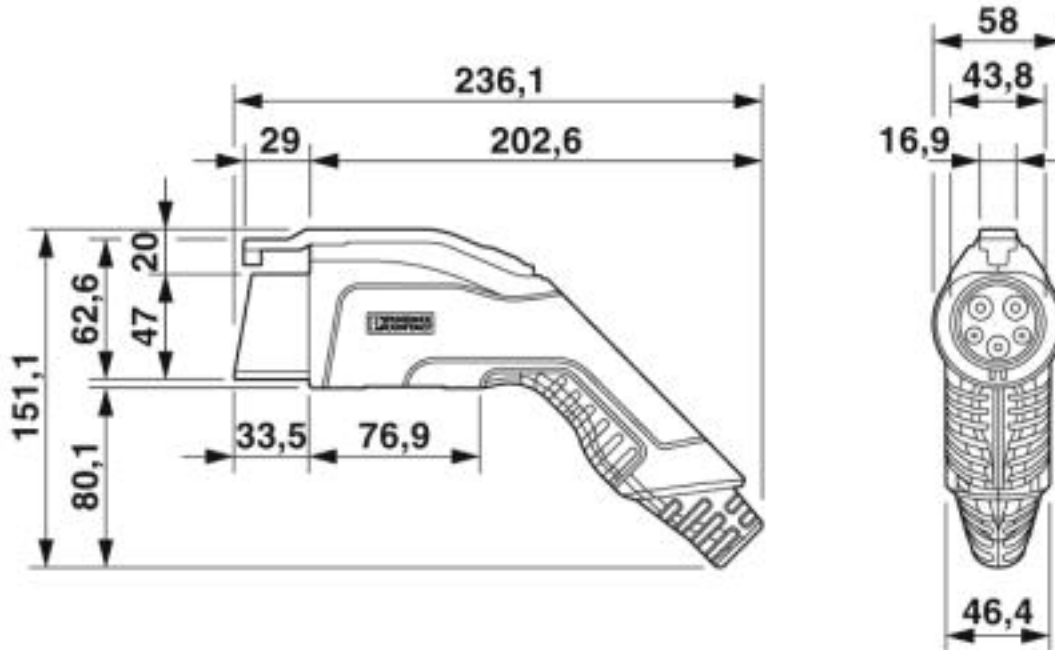
Connection diagram



Pin assignment of the Vehicle Connector

Samples - EV-T1G2C-DEMO-0,2M14ASBK01 - 1627648

Dimensional drawing



Ensure that the vehicle connector is placed in an appropriate resting position that ensures a minimum protection rating of IP24 in accordance with IEC 61851-1 for the entire time between charging. Use the dimensions of the vehicle connector to create this type of resting position. Detailed specifications can also be found in the download area.

Classifications

eCl@ss

eCl@ss 10.0.1	27144792
eCl@ss 4.0	27140800
eCl@ss 4.1	27140800
eCl@ss 5.0	27143400
eCl@ss 5.1	27143400
eCl@ss 6.0	27143400
eCl@ss 7.0	27449001
eCl@ss 8.0	27449001
eCl@ss 9.0	27144792

ETIM

ETIM 3.0	EC002061
ETIM 4.0	EC002061
ETIM 5.0	EC002839
ETIM 6.0	EC002884

Samples - EV-T1G2C-DEMO-0,2M14ASBK01 - 1627648

Classifications

ETIM

ETIM 7.0	EC002884
----------	----------

UNSPSC

UNSPSC 6.01	30211923
UNSPSC 7.0901	39121522
UNSPSC 11	39121522
UNSPSC 12.01	39121522
UNSPSC 13.2	39121522
UNSPSC 18.0	39121522
UNSPSC 19.0	39121522
UNSPSC 20.0	39121522
UNSPSC 21.0	39121522

Accessories

Accessories

Park position

Park position - EV-T1AC-PARK - 1624139



Retainer for Vehicle Connector as parking position at charging stations (EVSE), Type 1, SAE J1772, Front mounting