

## RJ45 sleeve housings - VS-08-T-RJ45/IP 20 - 1688638


Please be informed that the data shown in this PDF Document is generated from our Online Catalog. Please find the complete data in the user's documentation. Our General Terms of Use for Downloads are valid (<http://phoenixcontact.com/download>)



RJ45 sleeve housing IP20, for pin insert VS-08-ST-RJ45, with push-pull interlocking for panel mounting frames, for cable cross section 5.0 mm ... 6.5 mm



### Key Commercial Data

|                                      |   |
|--------------------------------------|---|
| Packing unit                         | 1 pc  |
| Minimum order quantity               | 5 pc  |
| GTIN                                 | <br>4 017918 607920 |
| GTIN                                 | 4017918607920   |
| Weight per Piece (excluding packing) | 5.910 g   |
| Custom tariff number                 | 85472000  |
| Country of origin                    | Germany   |

### Technical data

#### Mechanical characteristics

|                             |               |
|-----------------------------|---------------|
| Insertion/withdrawal cycles | ≥ 750         |
| External cable diameter     | 5 mm ... 6 mm |
| Cable outlet                | straight      |
| Color                       | gray          |
| Degree of protection        | IP20          |
| Type                        | RJ45, IP20    |
| No. of cable outlets        | 1             |

#### Ambient conditions

|                                 |                  |
|---------------------------------|------------------|
| Ambient temperature (operation) | -40 °C ... 80 °C |
|---------------------------------|------------------|

## RJ45 sleeve housings - VS-08-T-RJ45/IP 20 - 1688638

### Technical data

#### Material data

|  |         |
|--|---------|
| Flammability rating according to UL 94 | V0      |
| Housing material                       | PA      |
| Height                                 | 13.8 mm |

#### Standards and Regulations

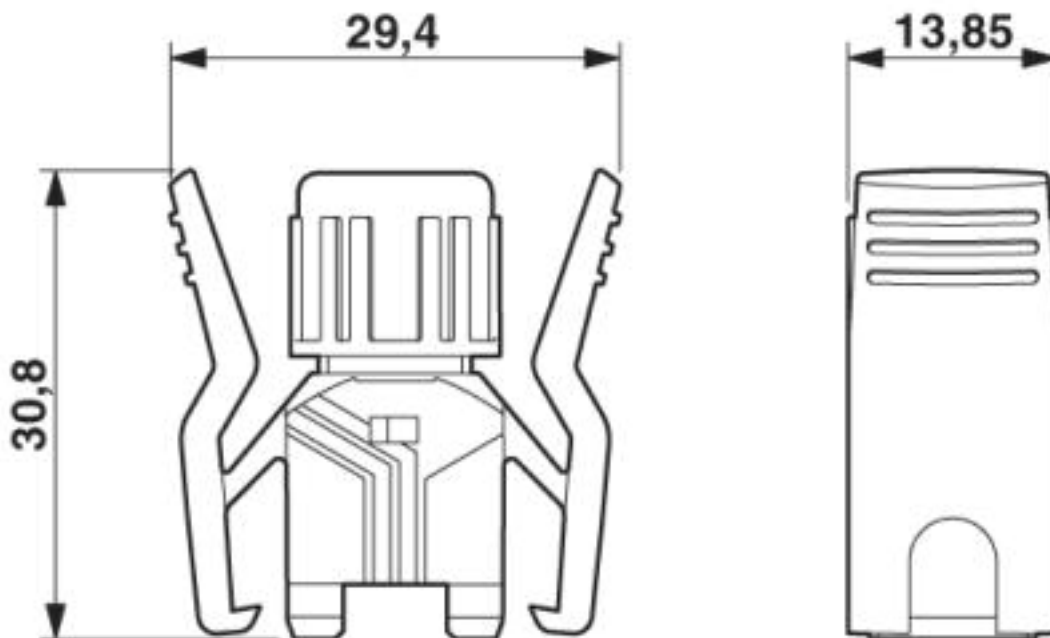
|  |    |
|--|----|
| Flammability rating according to UL 94 | V0 |
|--|----|

#### Environmental Product Compliance

|            |   |
|------------|---|
| China RoHS | Environmentally friendly use period: unlimited = EFUP-e |
|            | No hazardous substances above threshold values          |

### Drawings

Dimensional drawing



RJ45 sleeve housing, IP20

### Classifications

eCl@ss

|               |          |
|---------------|----------|
| eCl@ss 10.0.1 | 27440202 |
| eCl@ss 4.0    | 27260700 |

## RJ45 sleeve housings - VS-08-T-RJ45/IP 20 - 1688638

### Classifications

#### eCl@ss

|            |          |
|------------|----------|
| eCl@ss 4.1 | 27260700 |
| eCl@ss 5.0 | 27260700 |
| eCl@ss 5.1 | 27261200 |
| eCl@ss 6.0 | 27261200 |
| eCl@ss 7.0 | 27440202 |
| eCl@ss 8.0 | 27440202 |
| eCl@ss 9.0 | 27440202 |

#### ETIM

|          |          |
|----------|----------|
| ETIM 2.0 | EC000764 |
| ETIM 3.0 | EC001121 |
| ETIM 4.0 | EC001121 |
| ETIM 5.0 | EC000437 |
| ETIM 6.0 | EC000437 |
| ETIM 7.0 | EC000437 |

#### UNSPSC

|               |          |
|---------------|----------|
| UNSPSC 6.01   | 31261501 |
| UNSPSC 7.0901 | 31261501 |
| UNSPSC 11     | 31261501 |
| UNSPSC 12.01  | 31261501 |
| UNSPSC 13.2   | 31261501 |

### Accessories

#### Accessories

##### Male insert

RJ45 male insert - VS-08-ST-RJ45 - 1688573



RJ45 pin insert, CAT5e, 8-pos., shielded, IDC connection method, for litz wires AWG 26 and solid wires AWG 26 ... 24