

Optocoupler module - UMK- 1 OM-R/AMS - 2983002

Please be informed that the data shown in this PDF Document is generated from our Online Catalog. Please find the complete data in the user's documentation. Our General Terms of Use for Downloads are valid (<http://phoenixcontact.com/download>)



The UMK-1 OM-R/AMS is the wiring interface and coupling level in one unit: Diagnostic and status indicator, polarity and surge protection at the input, assembly option with solid-state relay up to 350 V DC/1 A or 480 V AC/5 A

Product Features

- Status indicator
- Status indicator
- Protection against pol. reversal in input
- Surge protection in input
- Can be fitted with solid-state relays for loads up to 350 V DC/1 A or 480 V AC/5 A



Key Commercial Data

Packing unit	1 pc
Weight per Piece (excluding packing)	68.0 g
Custom tariff number	85369010
Country of origin	Germany

Technical data

Dimensions

Width	22.5 mm
Height	77 mm
Depth	72 mm

Ambient conditions

Ambient temperature (operation)	-20 °C ... 60 °C
Ambient temperature (storage/transport)	-20 °C ... 70 °C

Input data

Nominal input voltage U_N	24 V DC
-----------------------------	---------

Optocoupler module - UMK- 1 OM-R/AMS - 2983002

Technical data

Input data

Typical input current at U_N	2 mA (without plug-in module)
Type of protection	Protection against polarity reversal
Protective circuit/component	Polarity protection diode
Type of protection	Surge protection
Protective circuit/component	Suppressor diode
Status display/channel	Yellow LED

Output data

Contact type	1 N/O contact (double contact)
Maximum switching voltage	230 V AC
	550 V AC
Minimum switching voltage	24 V AC
Limiting continuous current	5 A
Error detection (line break / short-circuit)	no

General

With components	Yes
Operating mode	100% operating factor
Mounting position	any
Assembly instructions	In rows with zero spacing
Housing insulation material	PVC, side panel PA non-reinforced,
Color	green
Standards/regulations	DIN EN 50178
Rated surge voltage	8 kV
Pollution degree	2
Overvoltage category	III

Connection data for connection 1

Connection name	Input
Connection method	Screw connection
Stripping length	8 mm
Screw thread	M3
Conductor cross section solid	0.2 mm ² ... 4 mm ²
Conductor cross section flexible	0.2 mm ² ... 2.5 mm ²
AWG conductor cross section	24 ... 12
Number of connections	1
Number of positions	2

Standards and Regulations

Optocoupler module - UMK- 1 OM-R/AMS - 2983002

Technical data

Standards and Regulations

Standards/regulations	DIN EN 50178
Pollution degree	2
Overvoltage category	III

Classifications

eCl@ss

eCl@ss 4.0	27371102
eCl@ss 4.1	27371102
eCl@ss 5.0	27371001
eCl@ss 5.1	27371001
eCl@ss 6.0	27371001
eCl@ss 7.0	27371001
eCl@ss 8.0	90909090

ETIM

ETIM 2.0	EC001504
ETIM 3.0	EC001504
ETIM 4.0	EC001504
ETIM 5.0	EC001504

UNSPSC

UNSPSC 6.01	30211916
UNSPSC 7.0901	39121542
UNSPSC 11	39121542
UNSPSC 12.01	39121542
UNSPSC 13.2	39121542

Approvals

Approvals

Approvals

EAC / EAC

Ex Approvals

Optocoupler module - UMK- 1 OM-R/AMS - 2983002

Approvals

Approvals submitted

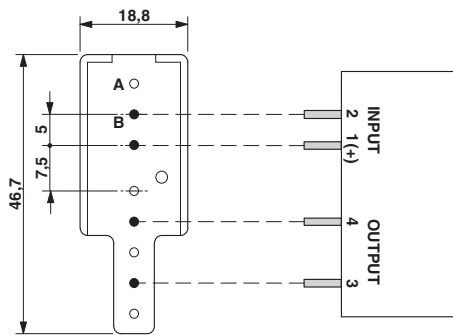
Approval details

EAC

EAC

Drawings

Dimensional drawing



A = without metal
B = with metal

Circuit diagram

