

# Power cable - SAC-4P-M12MST/ 1,0-PUR



1408812

<https://www.phoenixcontact.com/pc/products/1408812>

Please be informed that the data shown in this PDF document is generated from our Online Catalog. Please find the complete data in the user documentation. Our General Terms of Use for Downloads are valid.



Power cable, 4-position, PUR halogen-free, black-gray RAL 7021, Plug straight M12, coding: T, on free cable end, cable length: 1 m, For direct current up to 12 A/63 V

## Your advantages

- Easy and safe: 100% electrically tested plug-in components
- Protection against incorrect connection using special T-coding
- Our standard: robust halogen-free PUR cable

## Commercial Data

Item number	1408812
Packing unit	1 pc
Minimum order quantity	1 pc
Product Key	BF1CCQ
Catalog Page	Page 185 (C-6-2019)
GTIN	4046356838764
Weight per Piece (including packing)	128.7 g
Weight per Piece (excluding packing)	124 g
Customs tariff number	85444290
Country of origin	PL

# Power cable - SAC-4P-M12MST/ 1,0-PUR



1408812

<https://www.phoenixcontact.com/pc/products/1408812>

## Technical Data

### Product properties

Product type	Power cable
Number of positions	4
Application	Power supply
No. of cable outlets	1
Shielded	no
Coding	T power

### Insulation characteristics

Overvoltage category	III
Degree of pollution	3

### Material specifications

Color Handle area	black
Flammability rating according to UL 94	V0
Material of grip body	PP
Contact material	CuZn
Contact surface material	Ni/Au
Contact carrier material	PA
Material for screw connection	Zinc die-cast, nickel-plated

### Electrical properties

Contact resistance	$\leq 5 \text{ m}\Omega$
Insulation resistance	$\geq 100 \text{ M}\Omega$
Nominal voltage $U_N$	63 V DC
Nominal current $I_N$	12 A
Protective circuit	unwired

### Mechanical properties

#### Mechanical data

Insertion/withdrawal cycles	> 100
-----------------------------	-------

### Connector

#### Connection 1

Head design	Plug
Head cable outlet	straight
Head thread type	M12
Coding	T

#### Connection 2

Head design	free cable end
-------------	----------------


# Power cable - SAC-4P-M12MST/ 1,0-PUR



1408812

<https://www.phoenixcontact.com/pc/products/1408812>

## Cable / line

Cable length	1 m
PUR halogen-free black [PUR]	
Dimensional drawing	
Cable weight	109 kg/km
UL AWM Style	20233 / 10493 (80°C/300 V)
Number of positions	4
Shielded	no
Cable type	PUR halogen-free black [PUR]
Conductor cross section	4x 1.5 mm <sup>2</sup>
Wire diameter incl. insulation	2.35 mm ±0.05 mm
External cable diameter	8.4 mm ±0.25 mm
Outer sheath, material	PUR
External sheath, color	black-gray RAL 7021
Conductor material	Bare Cu litz wires
Material wire insulation	PP
Single wire, color	brown, white, blue, black
Thickness, insulation	≥ 0.25 mm
Thickness, outer sheath	approx. 1.3 mm
Overall twist	4 wires, twisted
Length of twist, overall twist	90 mm
Max. conductor resistance	≤ 13 Ω/km (at 20 °C)
Insulation resistance	≥ 1 GΩ*km (at 20 °C)
Nominal voltage, cable	≤ 300 V AC
Test voltage	≥ 3000 V AC (Spark test)
Minimum bending radius, fixed installation	5 x D
Minimum bending radius, flexible installation	10 x D
Max. bending cycles	4000000
Halogen-free	in accordance with DIN VDE 0472 part 815 in accordance with DIN EN 50267-2-1
Flame resistance	According to UL 758/1581 (Cable Flame) according to UL 758/1581 FT1 According to DIN EN 60332-1-2
Resistance to oil	According to DIN EN 60811-2-1, 168 h at 100°C According to UL 758, 168 h at 60°C

# Power cable - SAC-4P-M12MST/ 1,0-PUR



1408812

<https://www.phoenixcontact.com/pc/products/1408812>

Other resistance	Hydrolysis and microbe resistant as per VDE 0282 section 10
	Low adhesion
	abrasion-resistant
	Resistant to salt water
Ambient temperature (operation)	-50 °C ... 80 °C (cable, fixed installation)
	-30 °C ... 80 °C (Cable, flexible installation)

## Ambient conditions

Degree of protection	IP65
	IP67
Ambient temperature (operation)	-25 °C ... 85 °C (Plug / socket)

## Standards and regulations

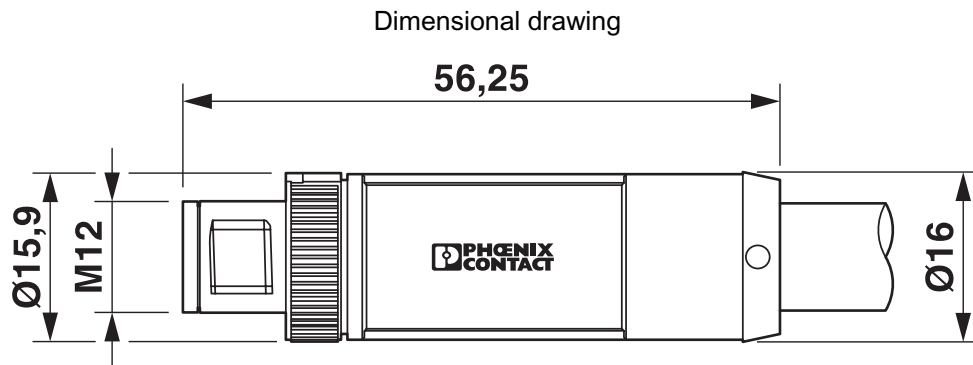
Standards/specifications	IEC 61076-2-111
--------------------------	-----------------

# Power cable - SAC-4P-M12MST/ 1,0-PUR

1408812

<https://www.phoenixcontact.com/pc/products/1408812>

## Drawings



Plug, M12 x 1, straight

Schematic diagram



Pin assignment for M12 plug, 4-pos., T-coded, view of plug side

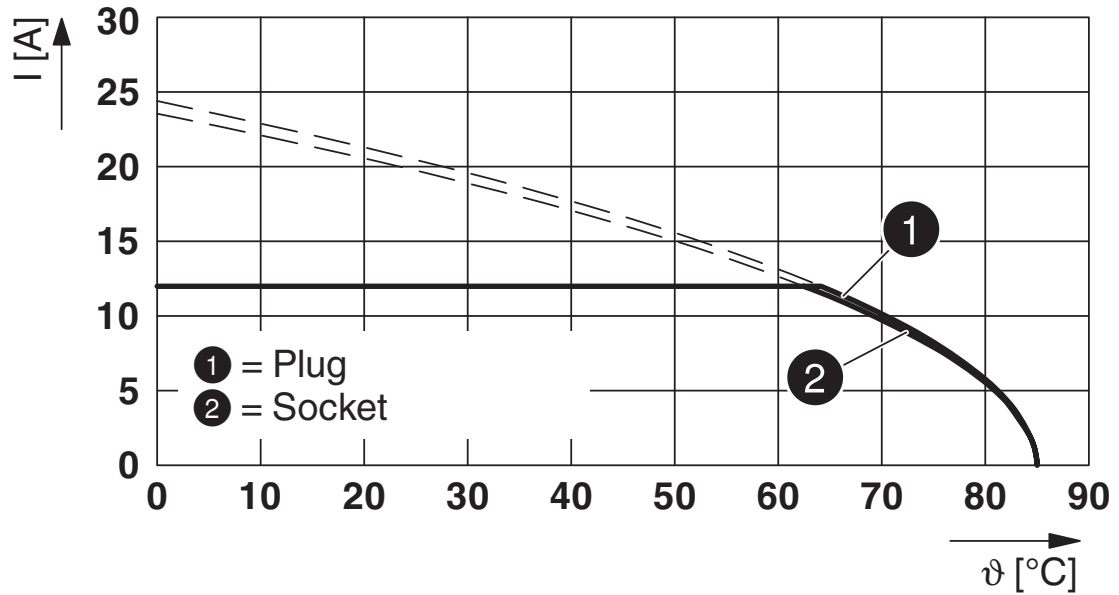
# Power cable - SAC-4P-M12MST/ 1,0-PUR



1408812

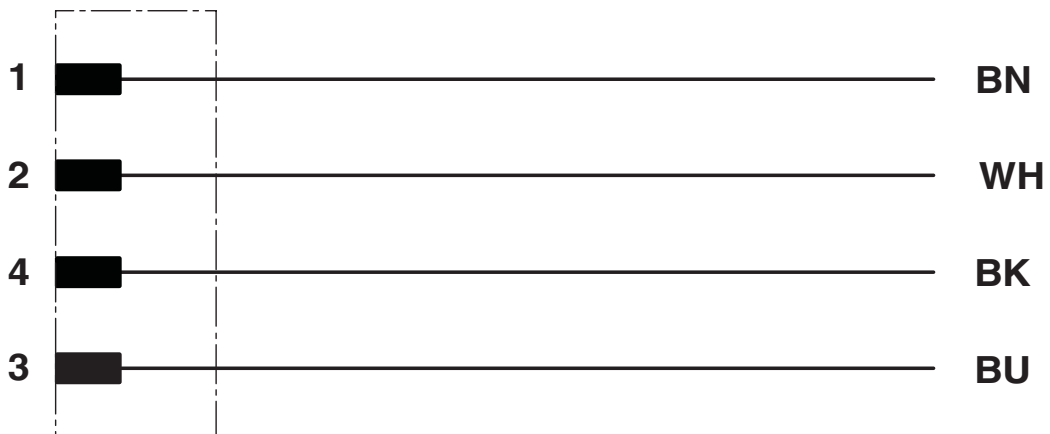
<https://www.phoenixcontact.com/pc/products/1408812>

Diagram



Base curve

Circuit diagram



# Power cable - SAC-4P-M12MST/ 1,0-PUR



1408812

<https://www.phoenixcontact.com/pc/products/1408812>

## Approvals



**EAC**

Approval ID: RU C-DE.BL08.B.00286



**UL Listed**

Approval ID: E468743

	Nominal Voltage $U_N$	Nominal Current $I_N$	Cross Section AWG	Cross Section $\text{mm}^2$
	63 V	12 A	-	- 16



**cUL Listed**

Approval ID: E468743

	Nominal Voltage $U_N$	Nominal Current $I_N$	Cross Section AWG	Cross Section $\text{mm}^2$
	63 V	12 A	- 16	-



**EAC**

Approval ID: RU D-DE.HB35.B.00387

**cULus Listed**

# Power cable - SAC-4P-M12MST/ 1,0-PUR



1408812

<https://www.phoenixcontact.com/pc/products/1408812>

## Classifications

### ECLASS

ECLASS-9.0	27060311
ECLASS-10.0.1	27060311
ECLASS-11.0	27060311

### ETIM

ETIM 8.0	EC001855
----------	----------

### UNSPSC

UNSPSC 21.0	26121600
-------------	----------

# Power cable - SAC-4P-M12MST/ 1,0-PUR



1408812

<https://www.phoenixcontact.com/pc/products/1408812>

## Environmental Product Compliance

China RoHS	Environmentally friendly use period: unlimited = EFUP-e
	No hazardous substances above threshold values

# Power cable - SAC-4P-M12MST/ 1,0-PUR



1408812

<https://www.phoenixcontact.com/pc/products/1408812>

## Accessories

### Tool

Tool - SAC BIT M12-D16 - 1200305

<https://www.phoenixcontact.com/pc/products/1200305>

Nut for assembling sensor/actuator cables with M12 connector and M12 connectors for assembly, knurl diameter: 16 mm, for 4 mm hexagonal drive



### Sealing cap

Sealing cap - PROT-M12 FS - 1560251

<https://www.phoenixcontact.com/pc/products/1560251>

M12 sealing cap for unoccupied M12 plugs of the sensor/actuator cable, flush-type plugs and I/O devices in the field



Phoenix Contact 2023 © - all rights reserved

<https://www.phoenixcontact.com>

PHOENIX CONTACT GmbH & Co. KG

Flachsmarktstraße 8

D-32825 Blomberg

+49 (0) 5235-3 00

[info@phoenixcontact.com](mailto:info@phoenixcontact.com)