

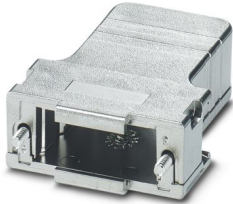
# CUC-DST-GPME-S/DSSC15 - D-SUB sleeve housings



1419710

<https://www.phoenixcontact.com/nl/products/1419710>

Please be informed that the data shown in this PDF document is generated from our online catalog. Please find the complete data in the user documentation. Our general terms of use for downloads are valid.



D-SUB sleeve housings, degree of protection: IP20, material: ABS, metal-plated, cable outlet: straight, housing size: 2, color: Bare metallic

## Your advantages

- Easy to mount thanks to preassembled locking screws
- Angled conductor entry
- Antimagnetic plastic housing

## Commercial data

Item number	1419710
Packing unit	1 pc
Minimum order quantity	1 pc
Sales key	ABNCAE
Product key	ABNCAE
GTIN	4055626187877
Weight per piece (including packing)	20,42 g
Weight per piece (excluding packing)	19 g
Customs tariff number	85389099
Country of origin	DE

1419710

<https://www.phoenixcontact.com/nl/products/1419710>

## Technical data

### Product properties

Type	D-SUB
No. of cable outlets	1
Cable outlet	straight

### Connection data

Screw thread	4-40 UNC
--------------	----------

### Dimensions

Width	41.2 mm
Height	16.2 mm
Depth	49.4 mm

### Material specifications

Color	Bare metallic
Flammability rating according to UL 94	V0
Housing material	ABS, metal-plated
Housing surface material	metal-plated

### Cable/line

External cable diameter	4 mm ... 11 mm
-------------------------	----------------

### Environmental and real-life conditions

#### Ambient conditions

Degree of protection	IP20
Ambient temperature (operation)	-35 °C ... 95 °C

### Mounting

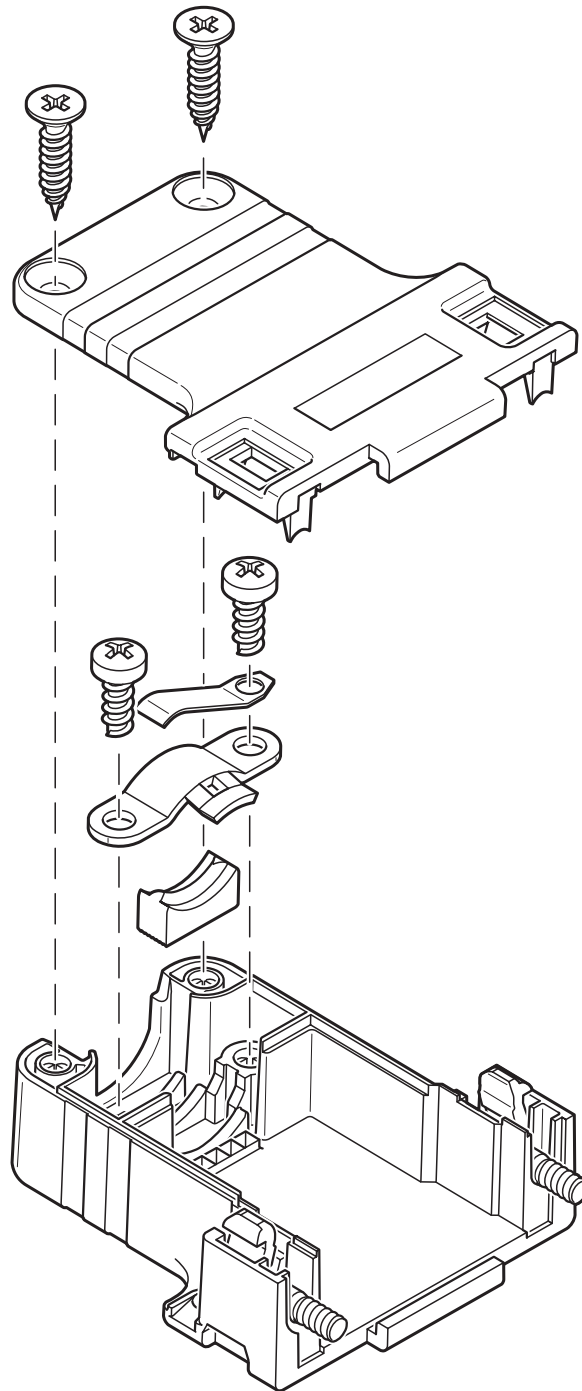
Mounting type	Screw locking mechanism
---------------	-------------------------

1419710

<https://www.phoenixcontact.com/nl/products/1419710>

## Drawings

Schematic diagram



1419710

<https://www.phoenixcontact.com/nl/products/1419710>

## Classifications

### ECLASS

ECLASS-13.0	27440202
ECLASS-15.0	27440202

### ETIM

ETIM 10.0	EC000437
-----------	----------

### UNSPSC

UNSPSC 21.0	31261500
-------------	----------

1419710

<https://www.phoenixcontact.com/nl/products/1419710>

## Environmental product compliance

### EU RoHS

Fulfills EU RoHS substance requirements	Yes, No exemptions
---	--------------------

### China RoHS

Environment friendly use period (EFUP)	EFUP-E
	No hazardous substances above the limits

### EU REACH SVHC

REACH candidate substance (CAS No.)	No substance above 0.1 wt%
-------------------------------------	----------------------------

Phoenix Contact 2026 © - all rights reserved  
<https://www.phoenixcontact.com>

PHOENIX CONTACT B.V.  
Hengelder 56 6902 PA Zevenaar  
Postbus 246 6900 AE Zevenaar  
(0316) 59 17 20  
[sales@phoenixcontact.nl](mailto:sales@phoenixcontact.nl)