

Connector - SACC-MINFS-5CON-PG11/2,5 - 1456271

Please be informed that the data shown in this PDF Document is generated from our Online Catalog. Please find the complete data in the user's documentation. Our General Terms of Use for Downloads are valid (<http://phoenixcontact.com/download>)



Connector, 5-position, Socket straight 7/8"-16UNF, Screw connection, Knurl material: Zinc die-cast, nickel-plated, Cable gland Pg11, External cable diameter 8 mm ... 10 mm

Product Features

- Safe use in the field, thanks to a high degree of protection
- Flexible: connectors for on-site assembly
- Screw connection: proven connection technology for a large selection of different conductors



Key commercial data

Packing unit	1 pc
Weight per Piece (excluding packing)	60.0 GRM
Custom tariff number	85366990
Country of origin	Germany

Technical data

Dimensions

External diameter	8 mm ... 10 mm
-------------------	----------------

Ambient conditions

Ambient temperature (operation)	-25 °C ... 85 °C (Plug / socket)
Degree of protection	IP67

General

Rated current at 40°C	9 A
Rated voltage	300 V
Number of positions	5
Contact resistance	≤ 5 mΩ
Insulation resistance	≥ 100 MΩ
Coding	A - standard

Connector - SACC-MINFS-5CON-PG11/2,5 - 1456271

Technical data

General

Status display	No
Surge voltage category	II
Pollution degree	3
Connection method	Screw connection
Conductor cross section	0.34 mm ² ... 2.5 mm ²
AWG conductor cross section	22 ... 16
Insertion/withdrawal cycles	≥ 100
Torque	0.8 Nm (7/8" connectors) 0.4 Nm (Screw terminal blocks) 1 Nm ... 1.4 Nm (Pressure nut)
Tightening torque	Screw plug insert with sleeve housing as far it will go
Assembly instructions	The wires can be connected both with ferrules and without ferrules

Material

Inflammability class according to UL 94	HB
Contact material	CuZn
Contact surface material	Au
Contact carrier material	PUR / PA66
Material of grip body	PBT
Material, knurls	Zinc die-cast, nickel-plated

Classifications

eCl@ss

eCl@ss 4.0	27060306
eCl@ss 4.1	27060306
eCl@ss 5.0	27061801
eCl@ss 5.1	27061801
eCl@ss 6.0	27279221
eCl@ss 7.0	27440104
eCl@ss 8.0	27440104

ETIM

ETIM 4.0	EC002062
ETIM 5.0	EC002062

UNSPSC

UNSPSC 6.01	31251501
-------------	----------

Connector - SACC-MINFS-5CON-PG11/2,5 - 1456271

Classifications

UNSPSC

UNSPSC 7.0901	31251501
UNSPSC 11	31251501
UNSPSC 12.01	31251501
UNSPSC 13.2	31251501

Approvals

Approvals


Approvals


GOST / UL Recognized / cUL Recognized / cULus Recognized


Ex Approvals

Approvals submitted

Approval details

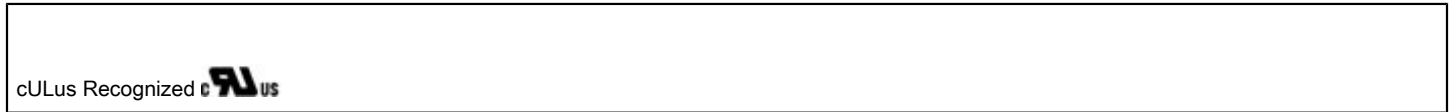
GOST 
--

UL Recognized 	
Nominal current IN	9 A
Nominal voltage UN	300 V

cUL Recognized 	
Nominal current IN	9 A
Nominal voltage UN	300 V

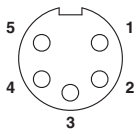
Connector - SACC-MINFS-5CON-PG11/2,5 - 1456271

Approvals



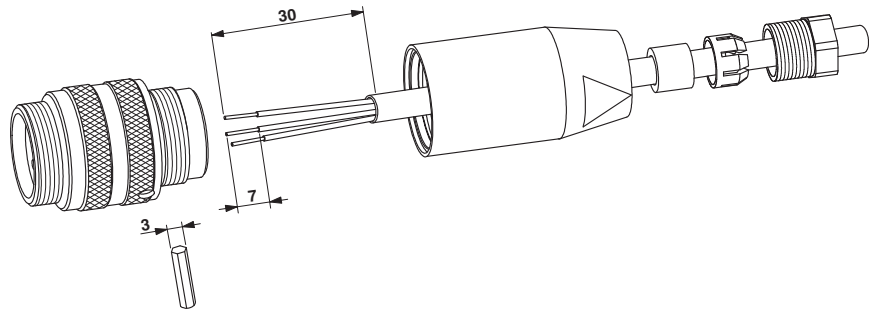
Drawings

Schematic diagram



Pin assignment, socket, 7/8"-16UNF, 5-pos., view of female side

Functional drawing



Dimensioned drawing

