

Coupling relay - PSR-PC32-2NO-1NC-24-230UC-SP - 2700582

Please be informed that the data shown in this PDF Document is generated from our Online Catalog. Please find the complete data in the user's documentation. Our General Terms of Use for Downloads are valid (<http://phoenixcontact.com/download>)



Coupling relay for SIL 3 high and low-demand applications, couples digital signals to the I/O, 24 V ... 230 V wide-range input, 2 enabling current paths (1x up to 60 V, 1x up to 250 V) 1 confirmation current path, safe state off applications, plug-in spring-cage terminal block

The figure shows a version with a screw connection

Why buy this product

- Up to SIL 3 according to IEC 61508
- Forcibly guided contacts according to EN 50205
- Easy proof test according to IEC 61508
- Slim design
- Wide-range input



Key Commercial Data

Packing unit	1 STK
GTIN	
GTIN	4046356916370

Technical data

Note

Utilization restriction	EMC: class A product, see manufacturer's declaration in the download area
-------------------------	---

Dimensions

Width	17.5 mm
Height	117.4 mm
Depth	114.5 mm

Ambient conditions

Ambient temperature (operation)	-40 °C ... 70 °C (observe derating)
---------------------------------	-------------------------------------

Coupling relay - PSR-PC32-2NO-1NC-24-230UC-SP - 2700582

Technical data

Ambient conditions

Ambient temperature (storage/transport)	-40 °C ... 85 °C
Max. permissible relative humidity (operation)	75 % (on average, 85% infrequently, non-condensing)
Max. permissible humidity (storage/transport)	75 % (on average, 85% infrequently, non-condensing)
Maximum altitude	≤ 2000 m (Above sea level)

Power supply

Rated control circuit supply voltage U_S	24 V AC/DC ... 230 V AC/DC -15 % ... +10 %
Rated control supply current I_S	75 mA (24 V DC)
	34 mA (48 V DC)
	97 mA (42 V AC)
	28 mA (120 V AC)
	16 mA (230 V AC)
Power consumption at U_S	1.8 W (with DC)
	2.1 W (with AC)
Apparent power	typ. 4.1 VA
Inrush current	typ. 16 A ($\Delta t < 100 \mu s$ at U_S)
	< 5 mA (at terminal blocks 24V/GND at U_D)
Filter time	10 ms (24 V DC, A1 in the event of voltage dips at U_S)
	max. 1.5 ms (at A1-A2; test pulse width; at 24 V DC)
	7.5 ms (at A1-A2; test pulse rate; at 24 V DC)
	Test pulse rate = 5 x Test pulse width
Diagnostic supply voltage U_D	24 V DC -15 % / +10 %
Input current at U_D	< 5 mA (at terminal blocks 24V/GND at U_D)
Protective circuit	U_S : surge protection Varistor 275 V
	U_D : surge protection 33 V suppressor diode
	U_D : Polarity protection

Relay outputs: enabling current path

Output name	Enabling current path
Output description	safety-related N/O contacts
Number of outputs	2 (undelayed)
Contact type	2 enabling current paths
Contact material	AgSnO ₂
Switching voltage	min. 12 V AC/DC
	max. 250 V AC/DC (13/14, observe the load curve)
	max. 60 V AC/DC (93/94, observe the load curve)
Limiting continuous current	6 A (observe derating)
Inrush current	min. 3 mA
	max. 6 A
Sq. Total current	72 A ² (observe derating)
Switching capacity	min. 60 mW

Coupling relay - PSR-PC32-2NO-1NC-24-230UC-SP - 2700582

Technical data

Relay outputs: enabling current path

Switching frequency	max. 1 Hz
Mechanical service life	10x 10 ⁶ cycles
Switching capacity (360/h cycles)	4 A (24 V (DC13))
	5 A (230 V (AC 15))
Output fuse	6 A gL/gG
	4 A gL/gG (for low-demand applications)

Relay outputs: return current/signaling current path

Output name	Confirmation current path
Output description	Safety-related N/C contacts
Number of outputs	1 (undelayed)
Contact type	1 confirmation current path
Contact material	AgCuNi, + Au (confirmation current path)
Switching voltage	min. 3.3 V AC/DC
	max. 26.4 V DC
Limiting continuous current	100 mA
Inrush current	min. 1 mA
	max. 100 mA
Switching capacity	min. 3.3 mW
Output fuse	150 mA fast blow

Times

Typical response time at US	< 100 ms (with U _s when controlled via A1)
Typical release time at US	< 200 ms (with U _s when controlled via A1)
Recovery time	< 500 ms

General

Relay type	Electromechanical relay with forcibly guided contacts in accordance with IEC/EN 61810-3 (EN 50205)
Nominal operating mode	100% operating factor
Net weight	226.5 g
Mounting position	vertical or horizontal
Mounting type	DIN rail mounting
Assembly instructions	See derating curve
Degree of protection	IP20
Min. degree of protection of inst. location	IP54
Housing material	PBT
Housing color	yellow
Operating voltage display	1 x yellow LED
Status display	1 x green LED, 1 x yellow LED

Connection data

Connection method	Spring-cage connection
-------------------	------------------------

Coupling relay - PSR-PC32-2NO-1NC-24-230UC-SP - 2700582

Technical data

Connection data

pluggable	Yes
Conductor cross section solid min.	0.2 mm ²
Conductor cross section solid max.	1.5 mm ²
Conductor cross section flexible min.	0.2 mm ²
Conductor cross section flexible max.	1.5 mm ²
Conductor cross section AWG min.	24
Conductor cross section AWG max.	16
Stripping length	8 mm

Safety-related characteristic data

Stop category	0
Designation	IEC 61508 - High demand
Safety Integrity Level (SIL)	3 (< 15% of the overall SIL)
Designation	IEC 61508 - Low demand
Safety Integrity Level (SIL)	3 (< 15% of the overall SIL)
Designation	EN 50156-2
Safety Integrity Level (SIL)	3 (Reference IEC 61508)

Standards and Regulations

Designation	Air clearances and creepage distances between the power circuits
Standards/regulations	DIN EN 50178; EN 60947-5-1
Rated insulation voltage	250 V AC
Rated surge voltage/insulation	Basic insulation 4 kV between all current paths and housing
	Safe isolation, reinforced insulation 2.5 kV between (93/94) and (31/32, 24V/GND)
	Safe isolation, reinforced insulation 6 kV: between (A1/A2) and (13/14) and (31/32, 24V/GND) between (A1/A2) and (93/94) between (13/14) and (93/94)
Degree of pollution	2
Overvoltage category	III
Shock	15g
Vibration (operation)	10 Hz ... 150 Hz, 2g
Conformance	CE-compliant
Environmental simulation test	ISA-S71.04 (G3)

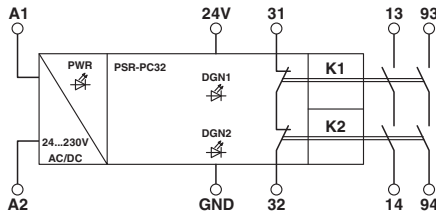
Environmental Product Compliance

China RoHS	Environmentally friendly use period: unlimited = EFUP-e
	No hazardous substances above threshold values

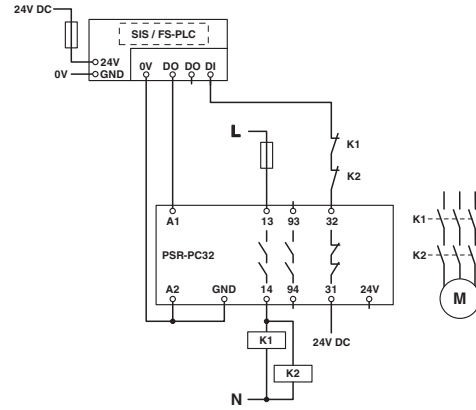
Drawings

Coupling relay - PSR-PC32-2NO-1NC-24-230UC-SP - 2700582

Block diagram



Circuit diagram



Approvals

Approvals

Approvals

UL Listed / cUL Listed / Functional Safety / cULus Listed

Ex Approvals

UL Listed / cUL Listed / cULus Listed

Approval details

UL Listed		http://database.ul.com/cgi-bin/XYV/template/LISEXT/1FRAME/index.htm	FILE E 140324
cUL Listed		http://database.ul.com/cgi-bin/XYV/template/LISEXT/1FRAME/index.htm	FILE E 140324
Functional Safety			44-780-15124308
cULus Listed			

Phoenix Contact 2018 © - all rights reserved
<http://www.phoenixcontact.com>

PHOENIX CONTACT GmbH & Co. KG
Flachmarktstr. 8
32825 Blomberg
Germany
Tel. +49 5235 300
Fax +49 5235 3 41200
<http://www.phoenixcontact.com>