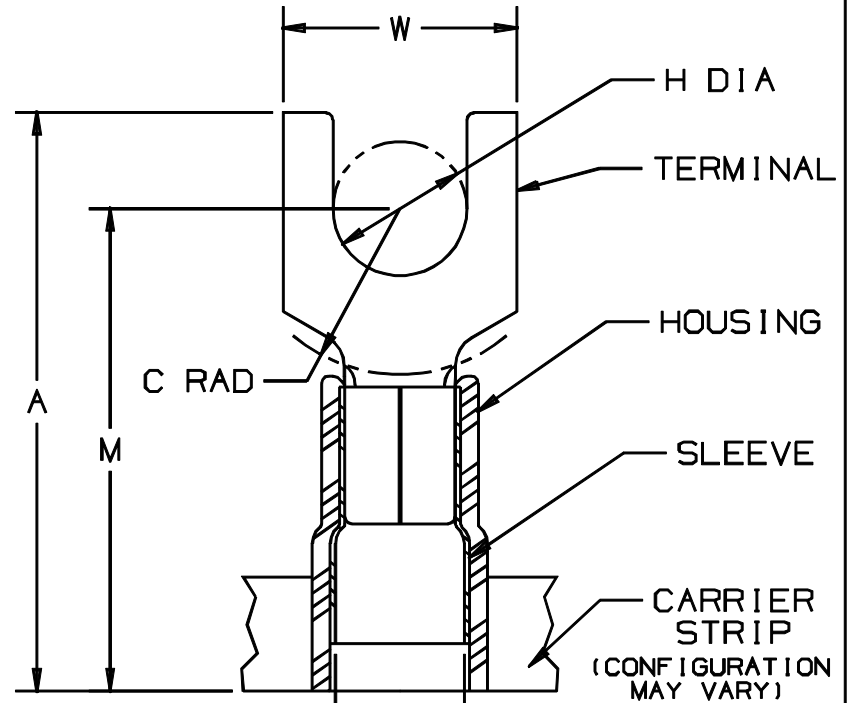


THIS COPY IS PROVIDED ON A RESTRICTED BASIS AND IS NOT TO BE USED IN ANY WAY DETRIMENTAL TO THE INTERESTS OF PANDUIT CORP.

PANDUIT PART NUMBER	STUD SIZE	DIMENSIONS in.				
		A $\pm .030$	W $\pm .010$	C $\pm .020$	M $\pm .030$	H $\pm .010$
PN14-6FN-3K	#6	.78 (19.81)	.24 (6.10)	.19 (4.83)	.64 (16.26)	.15 (3.81)
PN14-6F-3K	#6	.78 (19.81)	.28 (7.11)	.19 (4.83)	.64 (16.26)	.15 (3.81)
PN14-8F-3K	#8	.84 (21.34)	.31 (7.87)	.23 (5.84)	.68 (17.27)	.17 (4.32)
PN14-10F-3K	#10	.86 (21.84)	.34 (8.64)	.24 (6.10)	.70 (17.78)	.20 (5.08)
PN14-10FN-3K	#10	.86 (21.84)	.31 (7.87)	.24 (6.10)	.70 (17.78)	.20 (5.08)
PN14-14F-3K	1/4"	1.03 (26.16)	.44 (11.18)	.32 (8.13)	.78 (19.81)	.27 (6.86)

NOTES :

- UL LISTED AND CSA CERTIFIED FOR :
 - 600 V MAX. VOLTAGE RATING
 - 221°F (105°C) MAX. TEMP. RATING
 - #16-14 AWG (1.5-2.5 mm) SOLID OR STRANDED, COPPER WIRE
- PACKAGE QTY. : 3K = 3000 PCS.
CONTINUOUS MOLDED CARRIER STRIP
- MATERIAL :
 - STAMPING - .03" THK COPPER, TIN PLATED
 - HOUSING - BLUE NYLON
 - SLEEVE - BRASS, TIN PLATED
- DIMENSIONS IN BRACKETS ARE IN MILLIMETERS
- INSTALLATION TOOLS :
 - PRESSES - CP-851, CP-860, CP-861
 - APPLICATOR - CA-800
 - DIE INSERTS - CD-800-2
- WIRE STRIP LENGTH: $7/32^{+1/32}_{-0}$ ($5.6^{+0.8}_{-0}$)



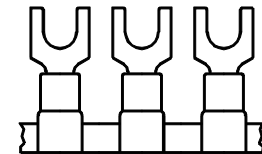
.162 (4.11)
MAX. WIRE
INSUL DIA.
.080 (2.03)
MIN. WIRE
INSUL DIA.



LISTED
587H
E52164



CERTIFIED
LR31212



A41095_04

04	12/00	ED		FILESPEC WAS: N41095AA_PCD_03	08925		
03	11/96	JB		ADDED DIM. ".080 (2.03) MIN. INSUL DIA."	05416		
02	9/96	TSM	RLS	REVISE TOLERANCES, ADD NOTE #6	05081	LA	DBH
				ORIGINAL FILESPEC WAS A41095A			
1	3/88	JV		REDRAWN WITH REVISIONS		LA	KS
REV	DATE	BY	CHK	DESCRIPTION	ECN	CUST	PM

PANDUIT CORP.

TINLEY PARK, ILLINOIS

TERMO 3PC. CONTINUOUSLY MOLDED NYLON
INSULATED, 16-14 BARREL, FORKS

DRAWN BY	CHK'D	SCALE	DRAWING NO.
JMV	FS	NONE	A41095