



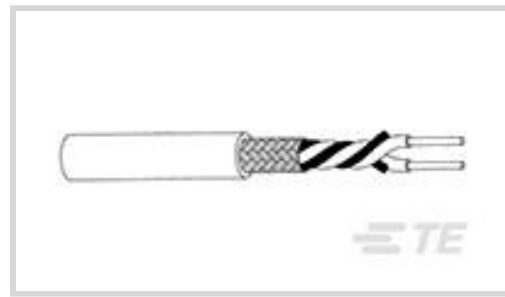
RAYCHEM

TE Internal #: 008735-000

100 ohm, 24 AWG, -65 – 200 °C [-85 – 392 °F], High Speed Digital & Data Cable

[View on TE.com >](#)

Wire & Cable > High Speed Digital & Data Cable



Cable Type: **Cheminax**

Impedance: 100 Ω

Wire Size: **24 AWG**

Operating Temperature Range: -65 – 200 °C [-85 – 392 °F]

**Features**

**Product Type Features**

Cable Style	Twisted Pair
-------------	--------------

**Electrical Characteristics**

Capacitance	.0000135 pF/m[13.5 pF/ft]
Impedance	100 Ω

**Signal Characteristics**

Velocity of Propagation	76 %
-------------------------	------

**Body Features**

Conductor Material	Silver-Plated High Strength Copper
Cable Color	Transparent White
Shield Plating Material	Tin
Shield Material	Copper

**Dimensions**

Outside Cable Diameter	3.78 mm[.149 in]
Cable Dielectric Diameter	1.37 mm[.054 in]
Conductor Diameter Range	.64 mm[.025 in]
Wire Size	24 AWG

**Usage Conditions**

Cable Type	Cheminax
Operating Temperature Range	-65 – 200 °C[-85 – 392 °F]

## Other

Dielectric Material

Rayfoam H

## Product Compliance

For compliance documentation, visit the product page on [TE.com](#)>

EU RoHS Directive 2011/65/EU

Compliant

EU ELV Directive 2000/53/EC

Compliant

China RoHS 2 Directive MIIT Order No 32, 2016

有害物质含量符合标准要求 No Restricted Substance(s) Above Threshold

EU REACH Regulation (EC) No. 1907/2006

Current ECHA Candidate List: JUNE 2025 (250)  
Candidate List Declared Against: JAN 2024 (240)  
Does not contain REACH SVHC

Halogen Content

Out of Scope - excluded from Halogen requirements

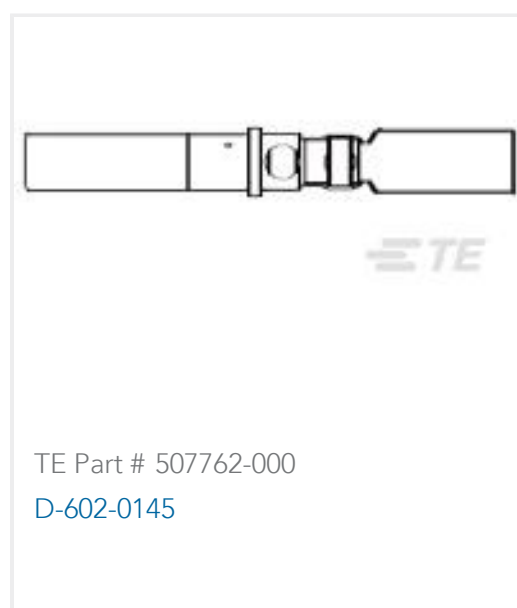
Solder Process Capability

Not applicable for solder process capability

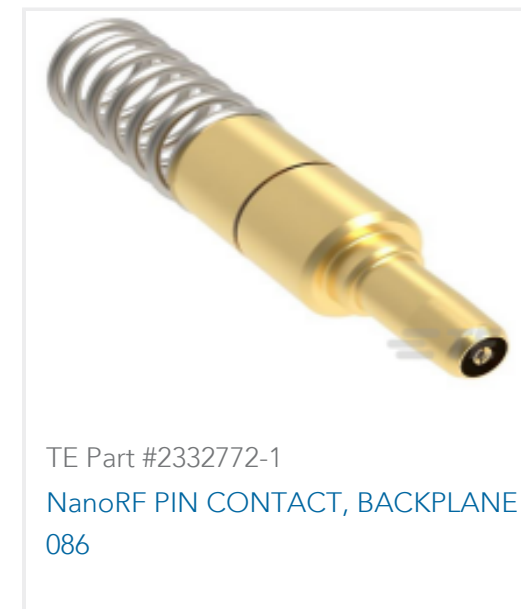
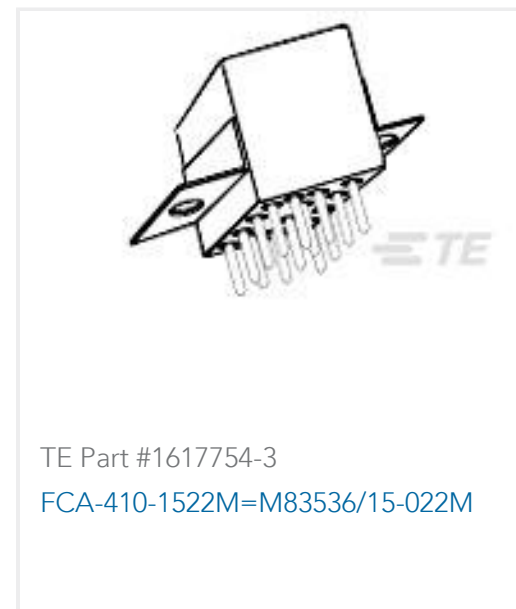
### Product Compliance Disclaimer

This information is provided based on reasonable inquiry of our suppliers and represents our current actual knowledge based on the information they provided. This information is subject to change. The part numbers that TE has identified as EU RoHS compliant have a maximum concentration of 0.1% by weight in homogenous materials for lead, hexavalent chromium, mercury, PBB, PBDE, DBP, BBP, DEHP, DIBP, and 0.01% for cadmium, or qualify for an exemption to these limits as defined in the Annexes of Directive 2011/65/EU (RoHS2). Finished electrical and electronic equipment products will be CE marked as required by Directive 2011/65/EU. Components may not be CE marked. Additionally, the part numbers that TE has identified as EU ELV compliant have a maximum concentration of 0.1% by weight in homogenous materials for lead, hexavalent chromium, and mercury, and 0.01% for cadmium, or qualify for an exemption to these limits as defined in the Annexes of Directive 2000/53/EC (ELV). Regarding the REACH Regulation, the information TE provides on SVHC in articles for this part number is based on the latest European Chemicals Agency (ECHA) 'Guidance on requirements for substances in articles' posted at this URL: <https://echa.europa.eu/guidance-documents/guidance-on-reach>

## Compatible Parts



## Customers Also Bought



## Documents

### Product Drawings

[0024G0024-9X](#)

English

### Product Specifications

[Product Specification](#)

English