



Wire & Cable > Hook Up Wire



Cable Type: **Spec 44**

Operating Voltage: **600 V**

Wire & Cable Insulation Material: **Modified Radiation Cross-linked PVDF**

Conductor Material: **Tin-Coated Copper**

Wire Size: **18 AWG**

Features

Product Type Features

Cable Style	Primary
-------------	---------

Configuration Features

Number of Strands	19
Number of Conductors	1

Electrical Characteristics

Operating Voltage	600 V
-------------------	-------

Body Features

Wire & Cable Insulation Material	Modified Radiation Cross-linked PVDF
Conductor Material	Tin-Coated Copper
Wire Color (Base)	Orange

Dimensions

Strand Size	30 AWG
Outside Cable Diameter	1.65 mm[.065 in]
Conductor Diameter Range	1.27 mm[.05 in]
Wire Size	18 AWG

Usage Conditions

Cable Type	Spec 44
------------	---------

Operating Temperature Range

-65 – 150 °C[-85 – 302 °F]

Other

Product Source

UK

Product Compliance

[For compliance documentation, visit the product page on TE.com>](#)

EU RoHS Directive 2011/65/EU

Compliant

EU ELV Directive 2000/53/EC

Compliant

China RoHS 2 Directive MIIT Order No 32, 2016

有害物质含量符合标准要求 No Restricted Substance(s) Above Threshold

EU REACH Regulation (EC) No. 1907/2006

Current ECHA Candidate List: JUNE 2025 (250)
 Candidate List Declared Against: JAN 2025 (247)
 Does not contain REACH SVHC

Halogen Content

Out of Scope - excluded from Halogen requirements

Solder Process Capability

Not applicable for solder process capability

Product Compliance Disclaimer

This information is provided based on reasonable inquiry of our suppliers and represents our current actual knowledge based on the information they provided. This information is subject to change. The part numbers that TE has identified as EU RoHS compliant have a maximum concentration of 0.1% by weight in homogenous materials for lead, hexavalent chromium, mercury, PBB, PBDE, DBP, BBP, DEHP, DIBP, and 0.01% for cadmium, or qualify for an exemption to these limits as defined in the Annexes of Directive 2011/65/EU (RoHS2). Finished electrical and electronic equipment products will be CE marked as required by Directive 2011/65/EU. Components may not be CE marked. Additionally, the part numbers that TE has identified as EU ELV compliant have a maximum concentration of 0.1% by weight in homogenous materials for lead, hexavalent chromium, and mercury, and 0.01% for cadmium, or qualify for an exemption to these limits as defined in the Annexes of Directive 2000/53/EC (ELV). Regarding the REACH Regulation, the information TE provides on SVHC in articles for this part number is based on the latest European Chemicals Agency (ECHA) 'Guidance on requirements for substances in articles' posted at this URL: <https://echa.europa.eu/guidance-documents/guidance-on-reach>

Compatible Parts



TE Part # 650075-000
[D-436-37](#)

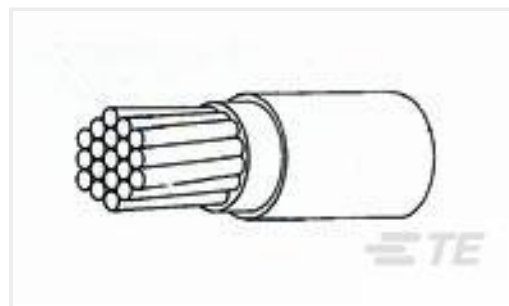
Customers Also Bought



TE Part #4407170001
TMS-SCE-3/32-2.0-4



TE Part #9043013001
FTR16-70-0



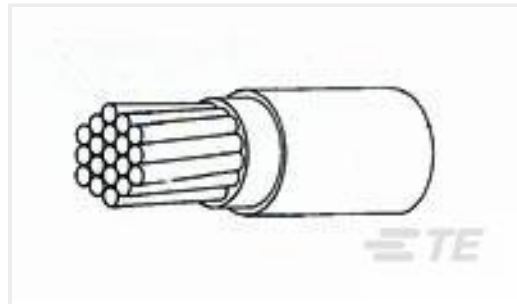
TE Part #2820333007
44A0111-22-3



TE Part #0291943001
FTR16-25-0



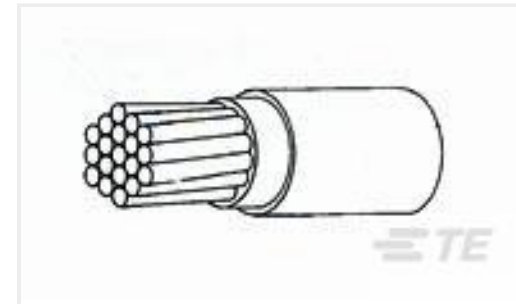
TE Part #3822433012
44A1121-24-0/9-9



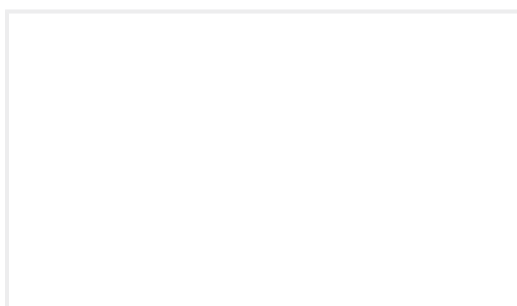
TE Part #2822613005
44A0111-12-1



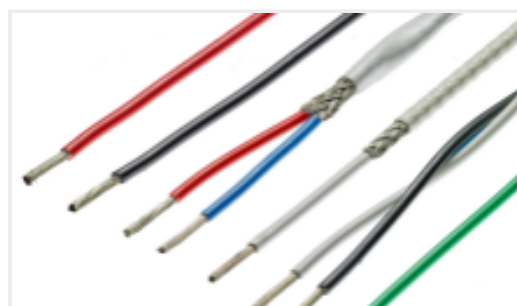
TE Part #5747840-5
HD-20 PLUG RA .318 FMS BD-LK S



TE Part #7190983001
44A0111-18-9CK0001



TE Part #EQ20503001
44A0111-16-5CK1200



TE Part #0110183001
44A1121-22-0/9-9CK0001

Documents

Product Drawings

[44A0111-18-3](#)

English

Datasheets & Catalog Pages

[Raychem Wire and Cable Quick Reference Guide](#)

English