



# europac accessories

Case ..... 2.10.0

Subrack ..... 2.20.0

europacPRO ..... 2.21.0

europacPRO

integral ..... 2.22.0

europac ..... 2.30.0

europac rational ..... 2.31.0

europac lab ..... 2.32.0

europac mobile ..... 2.33.0

europac special ..... 2.34.0

europac lab HF ..... 2.35.0

europac

accessories ..... 2.36.0

metripac ..... 2.40.0

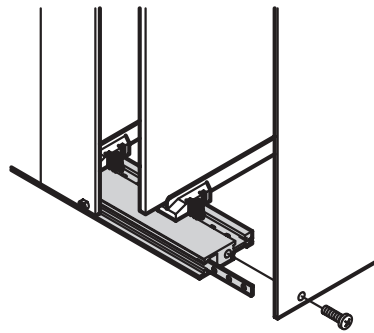
19" chassis ..... 2.50.0

Modules ..... 2.60.0

Accessories .... 2.70.0

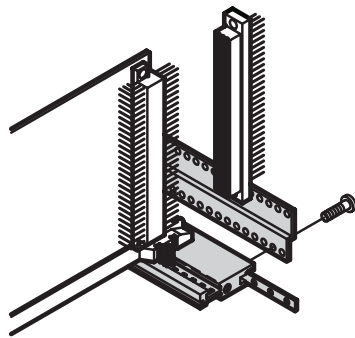
Appendix ..... 2.80.0

Version front



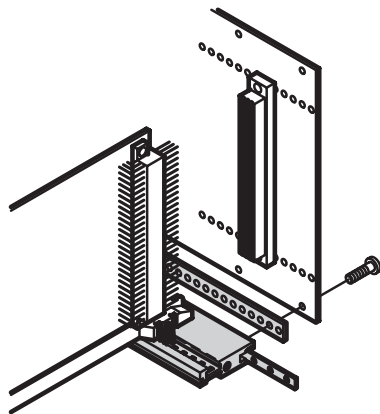
BZA45045

Version rear  
for single plug connectors



BZA45046

Version rear  
for backplanes



BZA45047

## Horizontal Rails Information

- For installation in subrack and system case
- Create the mounting dimensions according to IEC 60297-3
- Installation of euroboards, plug-in units, frame-type 5 plug-in units and box-type plug-in units
- Mounting options for front panels, board retainers, connectors and backplanes

### Design, material, finish

All horizontal rails are made from aluminium extrusions and are available for normal mounting widths.

Other sizes can be cut to length.

### Finishes that are available:

- anodised with untreated cut surfaces
- clear chromated (electrically conductive)

## Selection

The selection tables below show the application and required rail types.

### Colour = Position

violet = top, green = bottom, red = centre, orange = vertical support member

### Letter = Type of rail

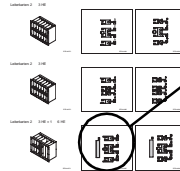
Letter	Type of rail	Page
A–D	Horizontal rails front	2.36.4
E	Support member	2.36.18
F–K	Horizontal rails rear	2.36.6
L–N	Central rails rear	2.36.8
Q–S	Z and perforated rails rear	2.36.11
D	Insulation strip	2.36.12

There is a choice of several versions for some rails. For mixed versions, lower case letters stand for short rails (e. g. 40 HP).

## Example

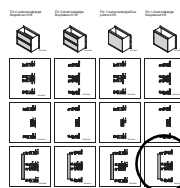
**Requirement:** Installation of euroboards 100 × 160 mm (3 U) and 233.35 × 160 mm (6 U) in a 6-U subrack.

Cards are to be wired using two directly assembled backplanes 3 U.



Front required:

- 2 horizontal rails "A"
- 1 horizontal rail "c" (shortened)
- 1 support member "E"



Rear required:

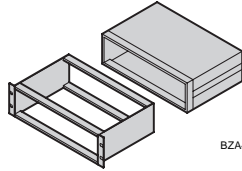
- 2 horizontal rails "H"
- 1 double module rail "f" (shortened)
- 1 central rail "M"
- 1 support member "E"



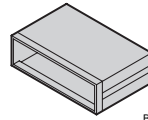
## Selection of Horizontal Rails Front

For subracks  
and cases

Only for  
*propac*-case  
*cardpac*-case  
*compac*-case



BZA45121

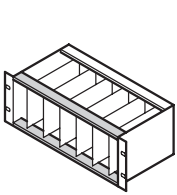


BZA45122

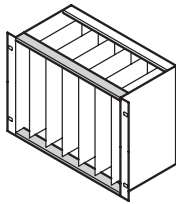
Printed circuit boards

3 U

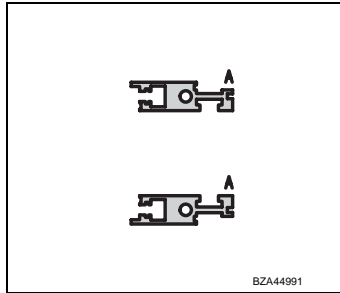
6 U



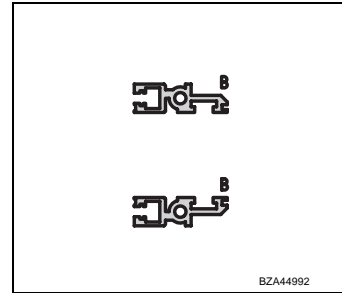
BZA44980



BZA44974

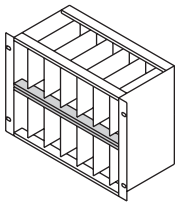


BZA44991

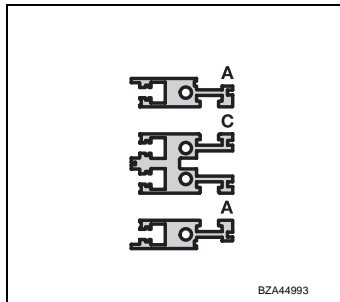


BZA44992

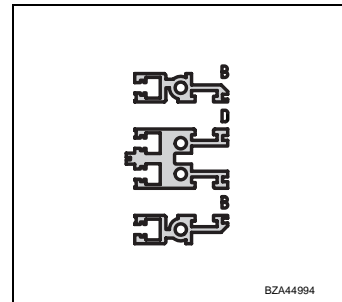
Printed circuit boards: 2 × 3 U



BZA44972

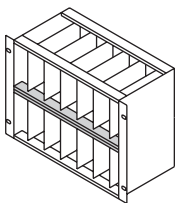


BZA44993

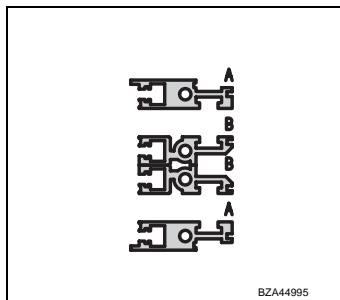


BZA44994

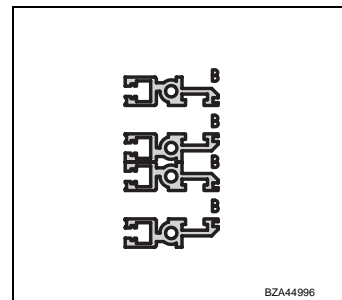
Printed circuit boards: 2 × 3 U



BZA44972

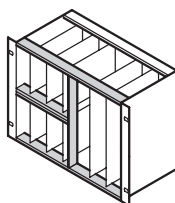


BZA44995

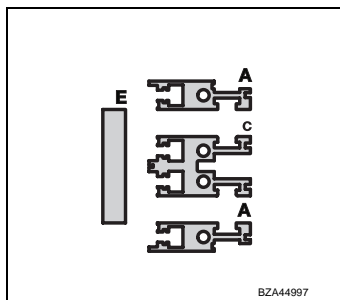


BZA44996

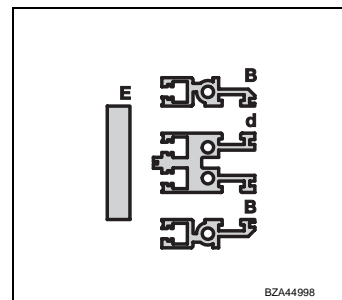
Printed circuit boards: 2 × 3 U + 1 × 6 U



BZA44973



BZA44997



BZA44998

Horizontal Rails	
Information .....	2.36.0
Horizontal Rails	
Front .....	2.36.4
Horizontal rail for HL	
handle .....	2.36.6
Horizontal Rails	
Rear/Central .....	2.36.6
Z and perforated	
rails .....	2.36.11
T – Insulation	
Strip .....	2.36.12
Threaded inserts .....	2.36.13
Board locking .....	2.36.14
Cable channel .....	2.36.14
Identification strip	
84 HP .....	2.36.14
Identification	
holder .....	2.36.14
Adapter brackets .....	2.36.15
Device handle .....	2.36.15
Universal handle .....	2.36.15
Subrack conversion	
kit .....	2.36.16
Subrack conversion kit	
6 U/84 HP .....	2.36.17
6 U/2 HP partial width	
front panel .....	2.36.17
Subdivide Mounting	
Height 6 U or 9 U .....	2.36.18
Notch .....	2.36.21
Shielding panel .....	2.36.22
Chassis plate .....	2.36.22
Cover plate	
84 HP .....	2.36.23
Covers on the rear	
side .....	2.36.24
Guide rails .....	2.36.26
Printed circuit board	
accessories .....	2.36.30
Slide nut .....	2.36.32



# europac accessories

Case ..... 2.10.0

Subrack ..... 2.20.0

europacPRO ..... 2.21.0

europacPRO

integral ..... 2.22.0

europac ..... 2.30.0

europac rational ..... 2.31.0

europac lab ..... 2.32.0

europac mobile ..... 2.33.0

europac special ..... 2.34.0

europac lab HF ..... 2.35.0

europac

accessories ..... 2.36.0

metripac ..... 2.40.0

19" chassis ..... 2.50.0

Modules ..... 2.60.0

Accessories .... 2.70.0

Appendix ..... 2.80.0

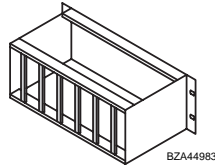
## Selection of Horizontal Rails Rear

### 3 U

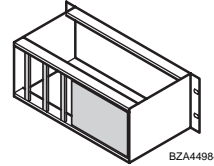
For connectors EN 60603 (DIN 41612)

Combination of separately assembled backplanes and connectors EN 60603 (DIN 41612)

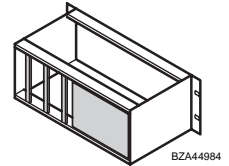
Combination of directly assembled backplanes and connectors EN 60603 (DIN 41612)



BZA44983

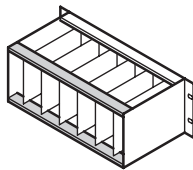


BZA44984

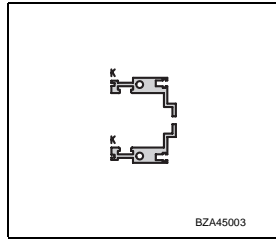


BZA44984

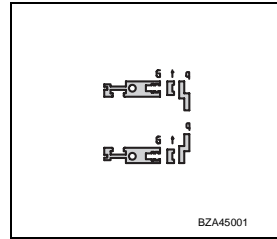
Printed circuit boards: 3 U



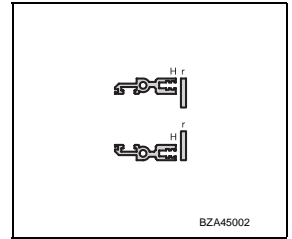
BZA44978



BZA45003



BZA45001



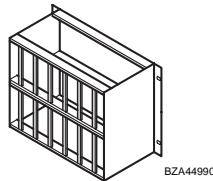
BZA45002

### 6 U

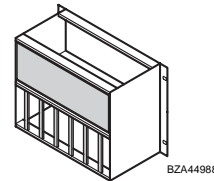
For connectors EN 60603 (DIN 41612)

Combination of separately assembled backplanes 3 U and connectors EN 60603 (DIN 41612)

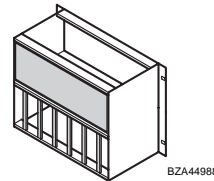
Combination of directly assembled backplanes 3 U and connectors EN 60603 (DIN 41612)



BZA44990

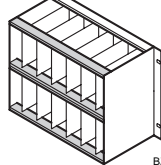


BZA44988

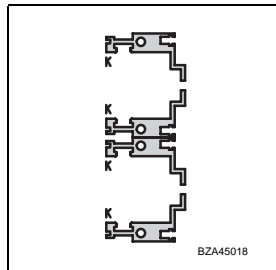


BZA44988

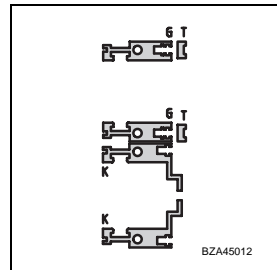
Printed circuit boards: 2 x 3 U



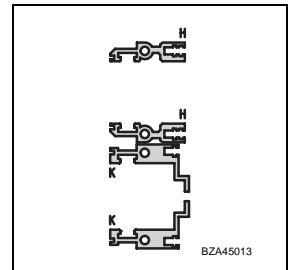
BZA44979



BZA45018

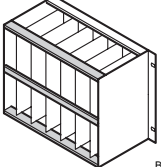


BZA45012

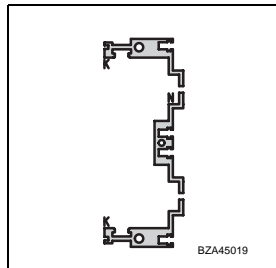


BZA45013

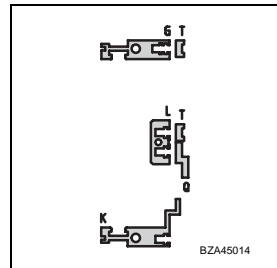
Printed circuit boards: 6 U



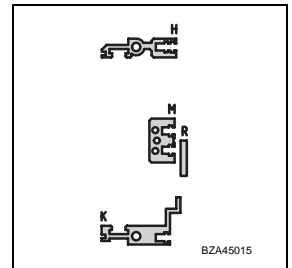
BZA44981



BZA45019

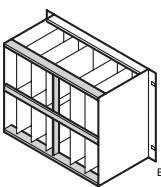


BZA45014

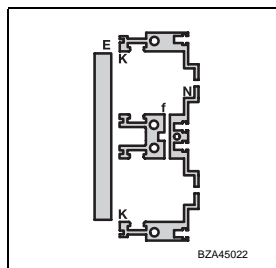


BZA45015

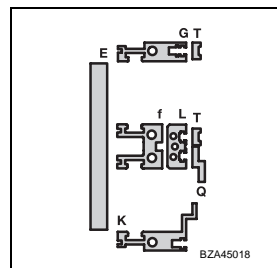
Printed circuit boards: 2 x 3 U + 1 x 6 U



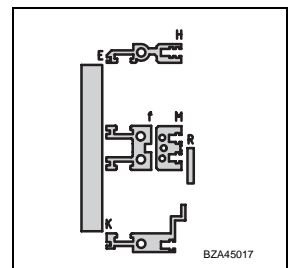
BZA44982



BZA45022



BZA45018

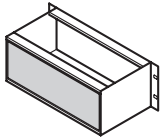


BZA45017



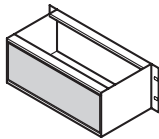
## Selection of Central and Horizontal Rails Rear

For separately assembled backplane 3 U



BZA44985

For directly assembled backplane 3 U



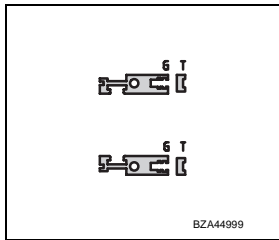
BZA44985

**Colour**  
violet = top  
green = bottom  
red = centre  
orange = vertical support member

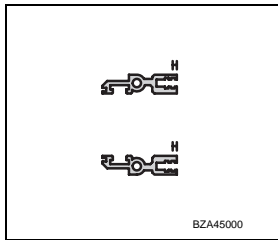
**Letter** = **Type of rail**

<b>A-D</b>	Horizontal rails front	Page 2.36.4
<b>E</b>	Support member	Page 2.36.18
<b>F-K</b>	Horizontal rails rear	Page 2.36.6
<b>L-N</b>	Central rails rear	Page 2.36.8
<b>Q-S</b>	Z and perforated rails rear	Page 2.36.11
<b>D</b>	Insulation strip	Page 2.36.12

There is a choice of several versions for some rails. For a mixed version, lower case letters stand for short rails (e. g. 40 HP).

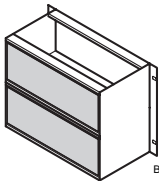


BZA44999



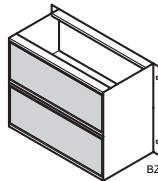
BZA45000

For 2 separately assembled backplanes 3 U



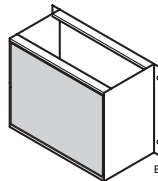
BZA44986

For 2 directly assembled backplanes 3 U



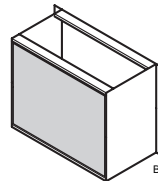
BZA44986

For 1 separately assembled backplane 6 U

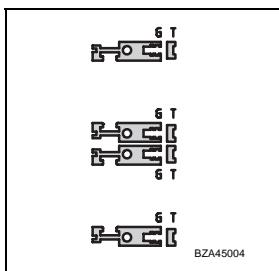


BZA44987

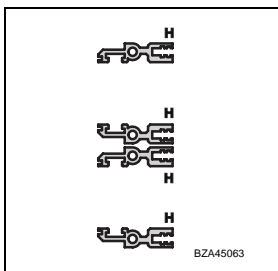
For 1 directly assembled backplane 6 U



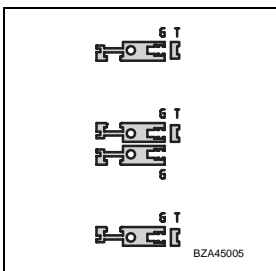
BZA44987



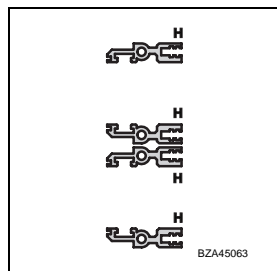
BZA45004



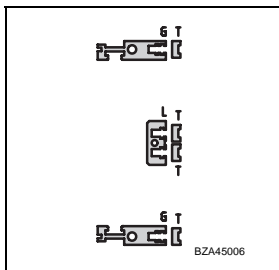
BZA45063



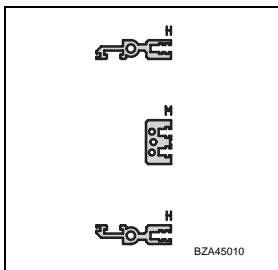
BZA45005



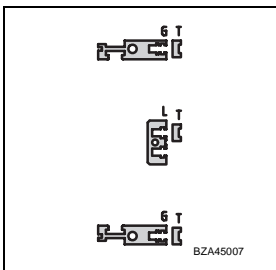
BZA45063



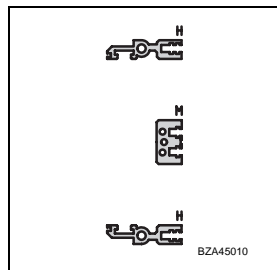
BZA45006



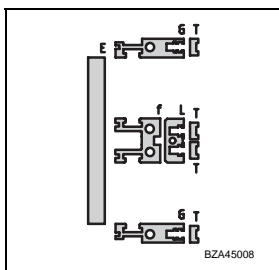
BZA45010



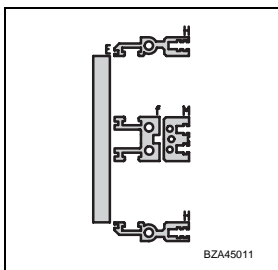
BZA45007



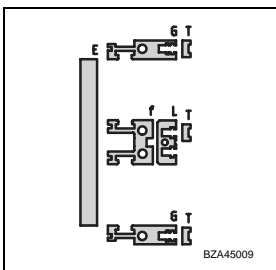
BZA45010



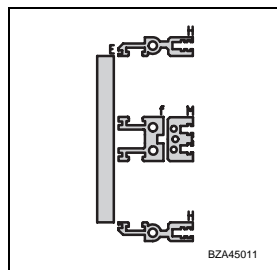
BZA45008



BZA45011



BZA45009



BZA45011

<b>Horizontal Rails Information</b>	2.36.0
<b>Horizontal Rails Front</b>	2.36.4
<b>Horizontal rail for HL handle</b>	2.36.6
<b>Horizontal Rails Rear/Central</b>	2.36.6
<b>Z and perforated rails</b>	2.36.11
<b>T – Insulation Strip</b>	2.36.12
<b>Threaded inserts</b>	2.36.13
<b>Board locking</b>	2.36.14
<b>Cable channel</b>	2.36.14
<b>Identification strip 84 HP</b>	2.36.14
<b>Identification holder</b>	2.36.14
<b>Adapter brackets</b>	2.36.15
<b>Device handle</b>	2.36.15
<b>Universal handle</b>	2.36.15
<b>Subrack conversion kit</b>	2.36.16
<b>Subrack conversion kit 6 U/84 HP</b>	2.36.17
<b>6 U/2 HP partial width front panel</b>	2.36.17
<b>Subdivide Mounting Height 6 U or 9 U</b>	2.36.18
<b>Notch</b>	2.36.21
<b>Shielding panel</b>	2.36.22
<b>Chassis plate</b>	2.36.22
<b>Cover plate 84 HP</b>	2.36.23
<b>Covers on the rear side</b>	2.36.24
<b>Guide rails</b>	2.36.26
<b>Printed circuit board accessories</b>	2.36.30
<b>Slide nut</b>	2.36.32



# europac accessories

Case ..... 2.10.0

Subrack ..... 2.20.0  
 europacPRO ..... 2.21.0  
 europacPRO integral ..... 2.22.0

europac ..... 2.30.0  
 europac rational ..... 2.31.0  
 europac lab ..... 2.32.0  
 europac mobile ..... 2.33.0  
 europac special ..... 2.34.0  
 europac lab HF ..... 2.35.0  
 europac accessories ..... 2.36.0

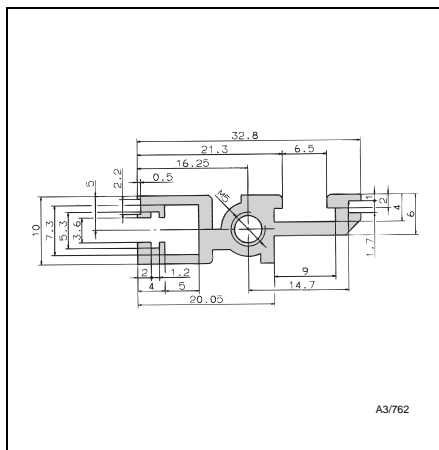
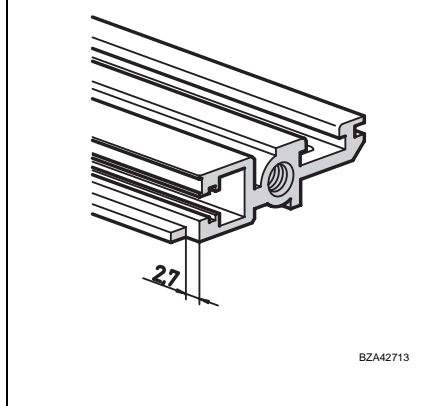
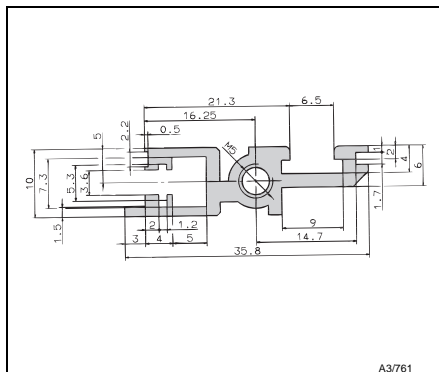
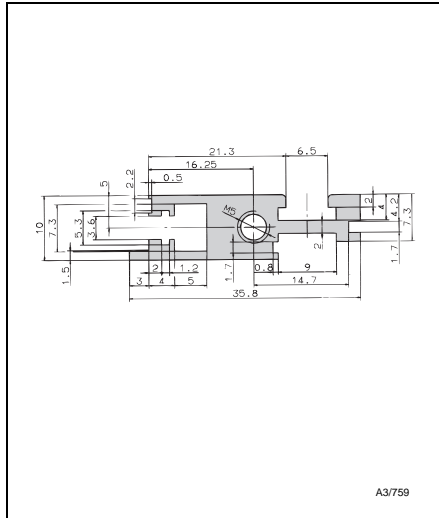
metripac ..... 2.40.0

19" chassis ..... 2.50.0

Modules ..... 2.60.0

Accessories .... 2.70.0

Appendix ..... 2.80.0



## Horizontal Rails Front

### A - Horizontal Rail, Standard

■ Standard version, with lip  
 Version 84 HP is printed with HP details

Usable HP	Length (mm)	Order No. (1 piece)	
		anodised	clear chromated
20	106,68	<b>30819-102</b>	<b>30837-483</b>
21	111,76	<b>30819-103</b>	<b>30837-484</b>
40	208,28	<b>30819-122</b>	<b>30837-503</b>
42	218,44	<b>30819-124</b>	<b>30837-505</b>
60	309,88	<b>30819-142</b>	<b>30837-523</b>
63	325,12	<b>30819-145</b>	<b>30837-526</b>
84	431,80	<b>30819-166</b>	<b>30837-547</b>
1 metre		<b>30819-333</b>	<b>30837-553</b>

### A - Horizontal Rail, lightweight

■ Lightweight version, with lip  
 Version 84 HP is printed with HP details

Usable HP	Length (mm)	Order No. (1 piece)	
		anodised	clear chromated
42	218,44	<b>30819-550</b>	<b>30837-363</b>
84	431,80	<b>30819-592</b>	<b>30837-405</b>
1 metre		<b>30818-012</b>	<b>30837-339</b>

### A - Horizontal rail, lightweight, with notch

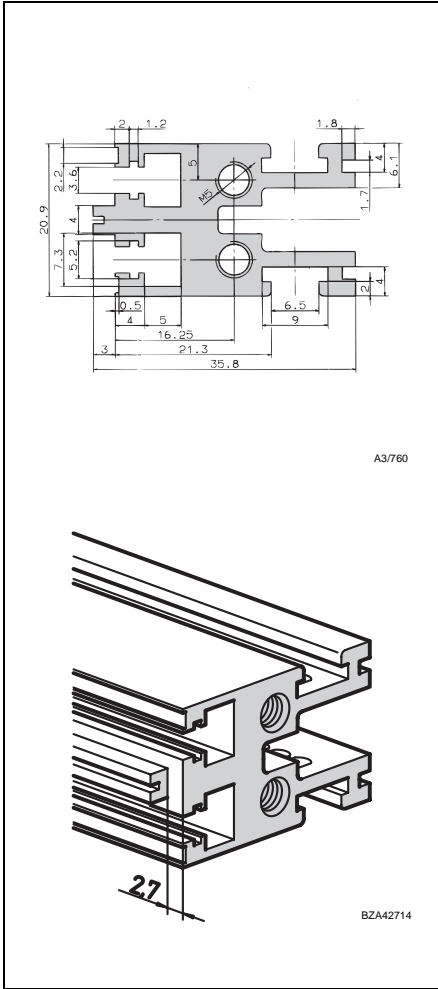
■ Lightweight version, with lip  
 ■ Only for cardpac, compac, propac and ratiopac cases  
 ■ With notches on both sides

Usable HP	Length (mm)	Order No. (1 piece)	
		clear chromated	
42	218,44	<b>30837-292</b>	
63	325,12	<b>30837-313</b>	
84	431,80	<b>30837-334</b>	

### B - Horizontal rail, without lip

■ Lightweight version  
 ■ In the cardpac, compac and propac system cases  
 Version 84 HP is printed with HP details

Usable HP	Length (mm)	Order No. (1 piece)	
		anodised	clear chromated
28	147,32	<b>30818-059</b>	<b>30837-010</b>
42	218,44	<b>30818-073</b>	<b>30837-024</b>
63	325,12	<b>30818-094</b>	<b>30837-045</b>
84	431,80	<b>30818-115</b>	<b>30837-066</b>
1 metre		<b>30818-119</b>	<b>30837-067</b>



## C - Double horizontal rail

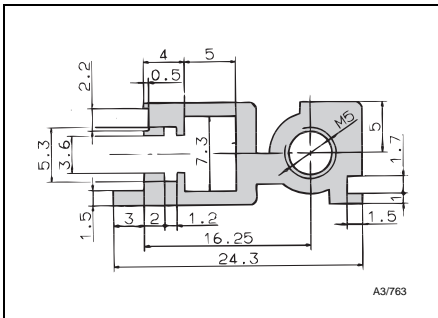
- Standard version, with top cover

Usable HP	Length (mm)	Order No. (1 piece)	
		anodised	clear chromated
20	106,68	<b>30825-011</b>	<b>30825-825</b>
21	111,76	<b>30825-012</b>	<b>30825-826</b>
40	208,28	<b>30825-032</b>	<b>30825-845</b>
42	218,44	<b>30825-034</b>	<b>30825-847</b>
60	309,88	<b>30825-052</b>	<b>30825-865</b>
63	325,12	<b>30825-055</b>	<b>30825-868</b>
84	431,80	<b>30825-076</b>	<b>30825-889</b>
1 metre		<b>30825-080</b>	<b>30825-755</b>

## D - Double horizontal rail, with notch

- With lip
- Only for europac lab HF and lab special subracks as well as cardpac, compac, ratiopac and propac cases
- With notches on both sides

Usable HP	Length (mm)	Order No. (1 piece)	
		anodised	clear chromated
42	218,44	<b>30825-637</b>	<b>30825-708</b>
63	352,12	<b>30825-658</b>	<b>30825-729</b>
84	431,80	<b>30825-679</b>	<b>30825-750</b>



## Horizontal rail front

- With lip, lightweight version
- Application as for horizontal rail type A, if guide rails have not been mounted

Usable HP	Length (mm)	Order No. (1 piece)
		anodised
84	431,80	<b>30820-285</b>
1 metre		<b>30820-296</b>

- Horizontal Rails Information .....2.36.0
- Horizontal Rails Front .....2.36.4
- Horizontal rail for HL handle .....2.36.6
- Horizontal Rails Rear/Central.....2.36.6
- Z and perforated rails .....2.36.11
- T - Insulation Strip .....2.36.12
- Threaded inserts. 2.36.13
- Board locking.....2.36.14
- Cable channel .....2.36.14
- Identification strip 84 HP .....2.36.14
- Identification holder .....2.36.14
- Adapter brackets 2.36.15
- Device handle .....2.36.15
- Universal handle .2.36.15
- Subrack conversion kit.....2.36.16
- Subrack conversion kit 6 U/84 HP .....2.36.17
- 6 U/2 HP partial width front panel .....2.36.17
- Subdivide Mounting Height 6 U or 9 U .2.36.18
- Notch.....2.36.21
- Shielding panel ...2.36.22
- Chassis plate .....2.36.22
- Cover plate 84 HP .....2.36.23
- Covers on the rear side .....2.36.24
- Guide rails.....2.36.26
- Printed circuit board accessories .....2.36.30
- Slide nut.....2.36.32



# europac accessories

Case ..... 2.10.0

Subrack ..... 2.20.0

europacPRO ..... 2.21.0

europacPRO

integral ..... 2.22.0

europac ..... 2.30.0

europac rational ..... 2.31.0

europac lab ..... 2.32.0

europac mobile ..... 2.33.0

europac special ..... 2.34.0

europac lab HF ..... 2.35.0

europac

accessories ..... 2.36.0

metripac ..... 2.40.0

19" chassis ..... 2.50.0

Modules ..... 2.60.0

Accessories ..... 2.70.0

Appendix ..... 2.80.0

## Horizontal rail for HL handle

### Delivery comprises

Qty	Description	Material	Surface
1	Horizontal rail IE	Aluminium extrusion	clear chromated

Usable HP	Length (mm)	Order No. (1 piece)
42	218,44	<b>30846-423</b>
63	325,12	<b>30846-444</b>
84	431,80	<b>30846-465</b>

## Horizontal Rails Rear/Centre

### F - Double module rail

Usable HP	Length (mm)	Order No. (1 piece) anodised
20	106,68	<b>30825-082</b>
21	111,76	<b>30825-083</b>
40	208,28	<b>30825-102</b>
42	218,44	<b>30825-104</b>
60	309,88	<b>30825-122</b>
63	325,12	<b>30825-125</b>
84	431,80	<b>30825-146</b>
1 metre		<b>30825-150</b>

## G - Horizontal Rail, Standard

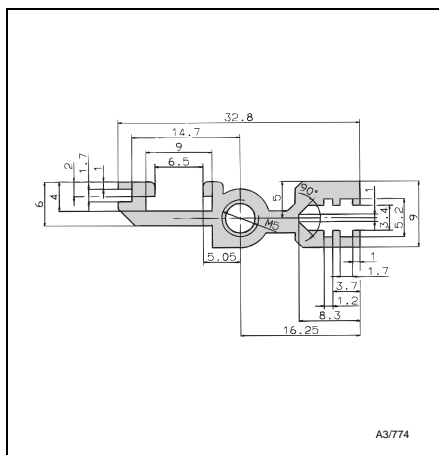
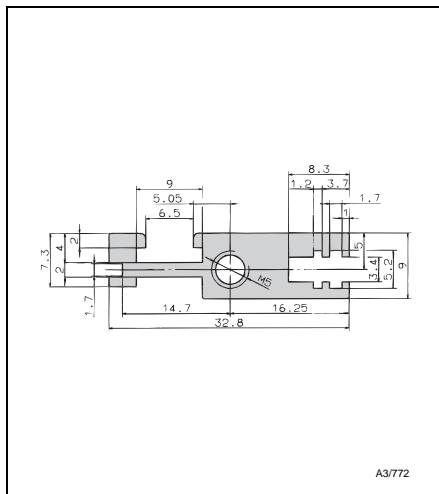
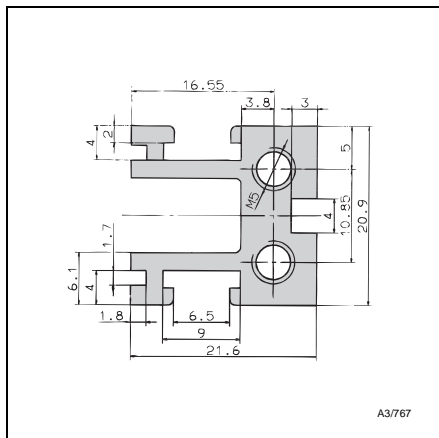
- For separate assembly of backplanes
- Standard version

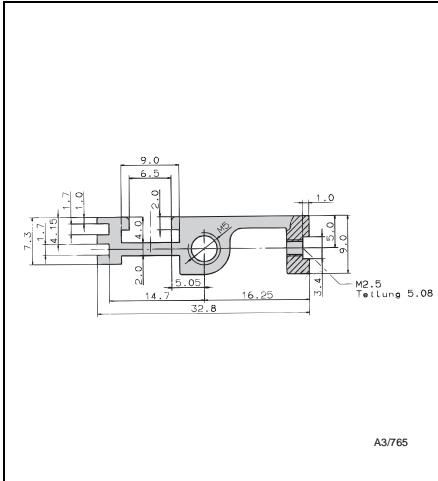
Usable HP	Length (mm)	Order No. (1 piece)	
		anodised	clear chromated
20	106,68	<b>30819-177</b>	<b>30837-555</b>
21	111,76	<b>30819-178</b>	<b>30837-556</b>
40	208,28	<b>30819-197</b>	<b>30837-575</b>
42	218,44	<b>30819-199</b>	<b>30837-577</b>
60	309,88	<b>30819-217</b>	<b>30837-595</b>
63	325,12	<b>30819-220</b>	<b>30837-598</b>
84	431,80	<b>30819-241</b>	<b>30837-619</b>
1 metre		<b>30819-332</b>	<b>30837-625</b>

## G - Horizontal Rail, lightweight

- For separate assembly of backplanes
- Lightweight version

Usable HP	Length (mm)	Order No. (1 piece)	
		anodised	clear chromated
42	218,44	<b>30818-143</b>	<b>30837-434</b>
63	325,12	<b>30818-164</b>	<b>30837-455</b>
84	431,80	<b>30818-185</b>	<b>30837-476</b>



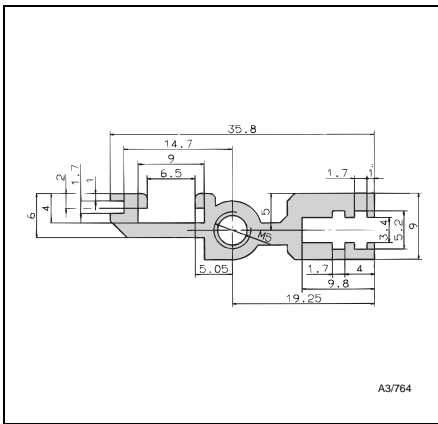


A3/765

## G - Horizontal rail with integrated M-2.5 threads

- For separate assembly of backplanes
- Lightweight version
- Saves having to use threaded inserts

Usable HP	Length (mm)	Order No. (1 unit) clear chromated
20	106,68	<b>30838-346</b>
21	111,76	<b>30838-347</b>
42	218,44	<b>30838-368</b>
63	325,12	<b>30838-389</b>
84	431,80	<b>30838-410</b>

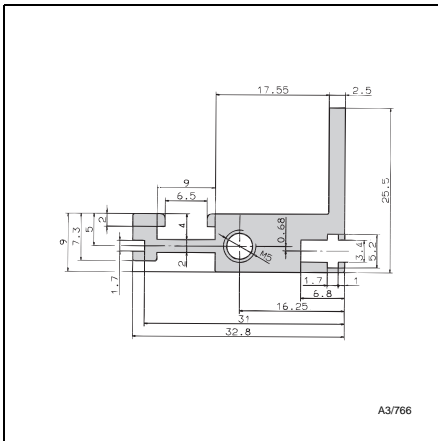


A3/764

## H - Horizontal rail with + 3 mm

- For direct mounting of backplanes
- Lightweight version

Usable HP	Length (mm)	Order No. (1 piece)	
		anodised	clear chromated
42	218,44	<b>30818-780</b>	<b>30837-927</b>
63	325,12	<b>30818-801</b>	<b>30837-928</b>
84	431,80	<b>30818-822</b>	<b>30837-929</b>



A3/766

## I - Horizontal rail with flange

- With integrated mounting for 31-pin connectors according to DIN 41617

Usable HP	Length (mm)	Order No. (1 piece) anodised
42	218,44	<b>30819-363</b>
60	309,88	<b>30819-381</b>
84	431,80	<b>30819-405</b>

- Horizontal Rails Information .....2.36.0
- Horizontal Rails Front .....2.36.4
- Horizontal rail for HL handle .....2.36.6
- Horizontal Rails Rear/Central.....2.36.6
- Z and perforated rails .....2.36.11
- T - Insulation Strip .....2.36.12
- Threaded inserts .2.36.13
- Board locking.....2.36.14
- Cable channel .....2.36.14
- Identification strip 84 HP .....2.36.14
- Identification holder .....2.36.14
- Adapter brackets .2.36.15
- Device handle .....2.36.15
- Universal handle .2.36.15
- Subrack conversion kit.....2.36.16
- Subrack conversion kit 6 U/84 HP .....2.36.17
- 6 U/2 HP partial width front panel .....2.36.17
- Subdivide Mounting Height 6 U or 9 U .2.36.18
- Notch.....2.36.21
- Shielding panel ...2.36.22
- Chassis plate .....2.36.22
- Cover plate 84 HP .....2.36.23
- Covers on the rear side .....2.36.24
- Guide rails.....2.36.26
- Printed circuit board accessories .....2.36.30
- Slide nut.....2.36.32





# europac accessories

Case ..... 2.10.0

Subrack ..... 2.20.0

europacPRO ..... 2.21.0

europacPRO integral ..... 2.22.0

europac ..... 2.30.0

europac rational ..... 2.31.0

europac lab ..... 2.32.0

europac mobile ..... 2.33.0

europac special ..... 2.34.0

europac lab HF ..... 2.35.0

europac accessories ..... 2.36.0

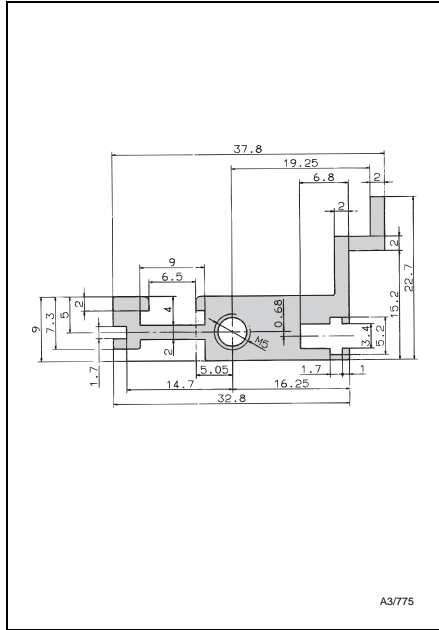
metripac ..... 2.40.0

19" chassis ..... 2.50.0

Modules ..... 2.60.0

Accessories .... 2.70.0

Appendix ..... 2.80.0

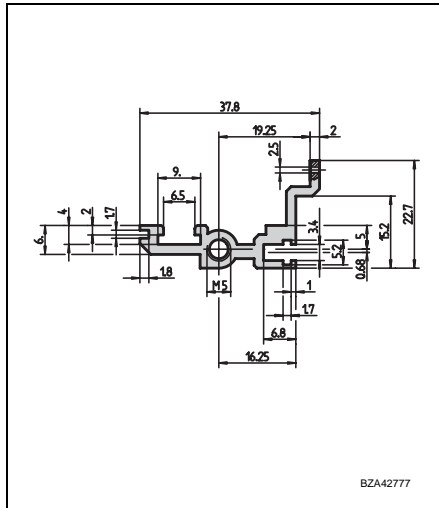


## K - Horizontal rail with Z, standard

- With integrated mounting for connectors according to EN 60603 (DIN 41612)
- Standard version

Version 84 HP is printed with HP details

Usable HP	Length (mm)	Order No. (1 piece)	
		anodised	clear chromated
20	106,68	<b>30819-024</b>	<b>30837-627</b>
21	111,76	<b>30819-025</b>	<b>30837-628</b>
28	147,32	<b>30819-032</b>	-
40	208,28	<b>30819-044</b>	<b>30837-647</b>
42	218,44	<b>30819-046</b>	<b>30837-649</b>
60	309,88	<b>30819-064</b>	<b>30837-667</b>
63	325,12	<b>30819-067</b>	<b>30837-670</b>
84	431,80	<b>30819-088</b>	<b>30837-691</b>
1 metre		<b>30819-334</b>	<b>30837-697</b>



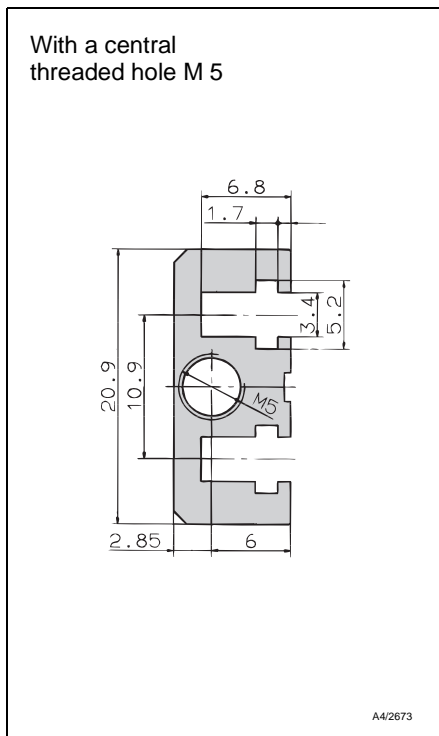
## K - Horizontal rail with Z, lightweight

- With integrated mounting for connectors according to EN 60603 (DIN 41612)
- Lightweight version

Version 84 HP is printed with HP details

Usable HP	Length (mm)	Order No. (1 piece)	
		anodised	clear chromated
28	147,32	<b>30819-469</b>	<b>30837-077</b>
42	218,44	<b>30819-483</b>	<b>30837-091</b>
63	325,12	<b>30819-504</b>	<b>30837-112</b>
84	431,80	<b>30819-525</b>	<b>30837-133</b>
1 metre		-	<b>30837-134</b>

With a central threaded hole M 5



## L - Horizontal Rail, centre

- For separate assembly of backplanes

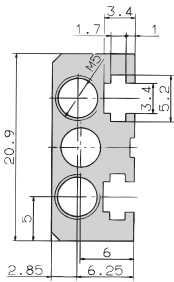
### Version 1, anodised finish

- for subracks
- europac rational
  - europac mobile
  - europac special

Usable HP	Length (mm)	Order No. (1 piece)
20	106,68	<b>30817-518</b>
21	111,76	<b>30817-519</b>
40	208,28	<b>30817-181</b>
42	218,44	<b>30817-076</b>
60	309,88	<b>30817-554</b>
63	325,12	<b>30817-556</b>
84	431,80	<b>30817-074</b>
1 metre		<b>30817-087</b>

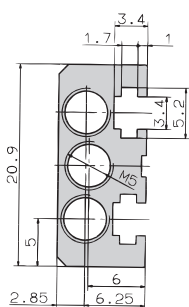


With two threaded holes M 5



AA/2675

With three threaded holes M 5



AA/2674

### Version 2, anodised finish

for all cases  
for subracks  
– europac lab  
– europac lab HF

Usable HP	Length (mm)	Order No. (1 piece)
84	431,80	<b>30825-356</b>

### Version 3, clear chromated finish

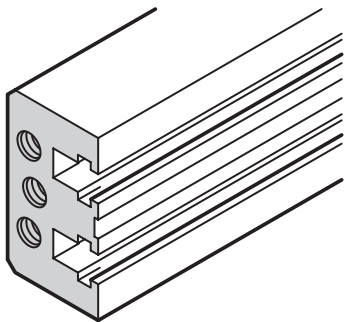
for all cases  
for subracks

Usable HP	Length (mm)	Order No. (1 piece)
20	106,68	<b>30837-136</b>
21	111,76	<b>30837-137</b>
40	208,28	<b>30837-156</b>
42	218,44	<b>30837-158</b>
60	309,88	<b>30837-176</b>
63	325,12	<b>30837-179</b>
84	431,80	<b>30837-200</b>
1 metre		<b>30837-201</b>

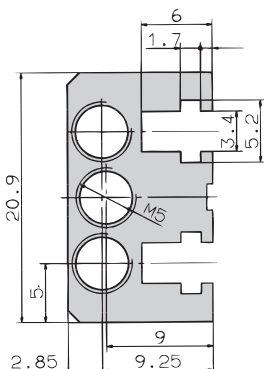
## M - Horizontal rail centre, with + 3 mm

■ For direct mounting of backplanes  
for all cases  
for subracks

Usable HP	Length (mm)	Order No. (1 piece)	
		anodised	clear chromated
84	431,80	<b>30818-958</b>	<b>30837-915</b>



BZA45064



AA/2676

- Horizontal Rails Information .....2.36.0
- Horizontal Rails Front .....2.36.4
- Horizontal rail for HL handle .....2.36.6
- Horizontal Rails Rear/Central.....2.36.6
- Z and perforated rails .....2.36.11
- T – Insulation Strip .....2.36.12
- Threaded inserts. 2.36.13
- Board locking.....2.36.14
- Cable channel .....2.36.14
- Identification strip 84 HP .....2.36.14
- Identification holder .....2.36.14
- Adapter brackets 2.36.15
- Device handle .....2.36.15
- Universal handle .2.36.15
- Subrack conversion kit.....2.36.16
- Subrack conversion kit 6 U/84 HP .....2.36.17
- 6 U/2 HP partial width front panel .....2.36.17
- Subdivide Mounting Height 6 U or 9 U.2.36.18
- Notch.....2.36.21
- Shielding panel ...2.36.22
- Chassis plate .....2.36.22
- Cover plate 84 HP .....2.36.23
- Covers on the rear side .....2.36.24
- Guide rails.....2.36.26
- Printed circuit board accessories .....2.36.30
- Slide nut.....2.36.32



Case ..... 2.10.0

Subrack ..... 2.20.0

europacPRO ..... 2.21.0

europacPRO

integral ..... 2.22.0

europac ..... 2.30.0

europac rational ..... 2.31.0

europac lab ..... 2.32.0

europac mobile ..... 2.33.0

europac special ..... 2.34.0

europac lab HF ..... 2.35.0

europac accessories ..... 2.36.0

metripac ..... 2.40.0

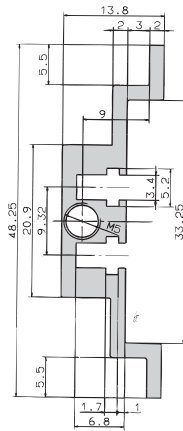
19" chassis ..... 2.50.0

Modules ..... 2.60.0

Accessories .... 2.70.0

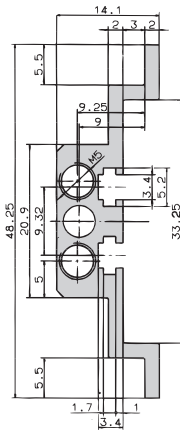
Appendix ..... 2.80.0

With a central threaded hole M 5



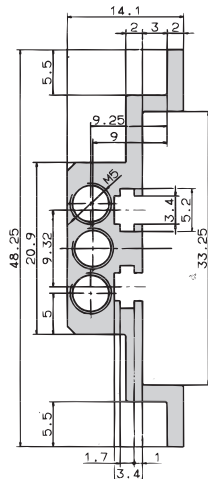
A3/768

With two central threaded holes M 5



A3/770

With three central threaded holes M 5



A3/769

## N - Horizontal rail, with Z

- With integrated mounting for connectors according to EN 60603 (DIN 41612)

### Version 1, anodised finish

- for subracks
- europac rational
  - europac mobile
  - europac special

Usable HP	Length (mm)	Order No. (1 piece)
20	106,68	<b>30819-247</b>
21	111,76	<b>30819-248</b>
40	208,28	<b>30819-267</b>
42	218,44	<b>30819-269</b>
60	309,88	<b>30819-288</b>
63	325,12	<b>30819-291</b>
84	431,80	<b>30819-312</b>
1 metre		<b>30817-091</b>

### Version 2, anodised finish

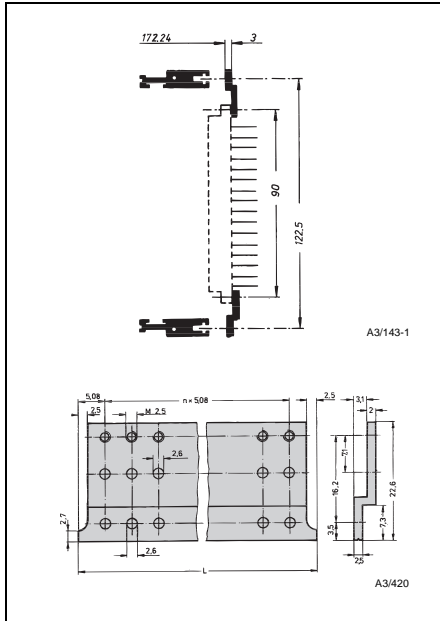
- for all cases  
for subracks
- europac lab
  - europac lab HF

Usable HP	Length (mm)	Order No. (1 piece)
84	431,80	<b>30825-216</b>

### Version 3, clear chromated finish

- for all cases  
for subracks

Usable HP	Length (mm)	Order No. (1 piece)
21	111,76	<b>30837-204</b>
40	208,28	<b>30837-223</b>
42	218,44	<b>30837-225</b>
63	325,12	<b>30837-246</b>
84	431,80	<b>30837-267</b>
1 metre		<b>30837-268</b>



## Z and perforated rails

For mounting of connectors complying with

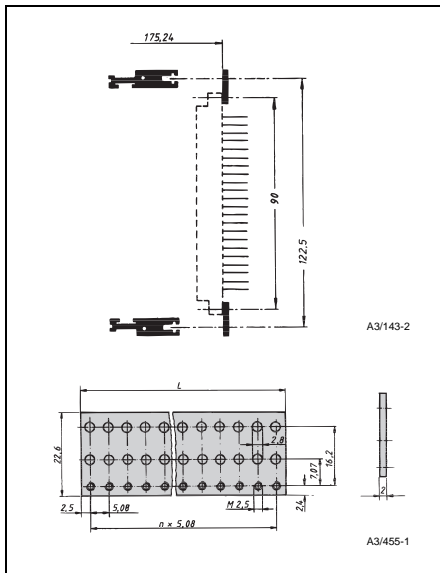
- EN 60603 (DIN 41612)
- DIN 41617

## Q - Z-rails for connectors according to EN 60603 (DIN 41612)

Usable HP	Length (mm)	Order no.
40	203,2	<b>30822-045</b>
60	304,8	<b>30822-065</b>
80	426,7	<b>30822-089</b>

### Delivery comprises

Qty	Description	Material	Surface
1	Z-rails	Al	anodised



## R - Perforated rails for connectors according to EN 60603 (DIN 41612)

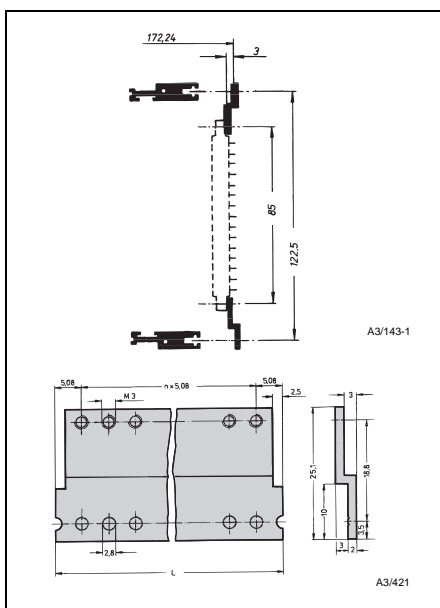
Usable HP	Length (mm)	Order no.
30	152,4	<b>30822-201</b>
40	203,2	<b>30822-202</b>
60	304,8	<b>30822-204</b>
84	426,7	<b>30822-206</b>

### Delivery comprises

Qty	Description	Material	Surface
1	Perforated rail	Al	clear chromated

### Note

Standardised space only together with (rear) horizontal rail with recessed mounting plane



## S - Z-rails for connectors according to DIN 41617

Usable HP	Length (mm)	Order no.
40	203,2	<b>30819-763</b>
60	304,8	<b>30819-783</b>
84	426,7	<b>30819-808</b>

### Delivery comprises

Qty	Description	Material	Surface
1	Z-rails	Al	anodised

- Horizontal Rails Information .....2.36.0
- Horizontal Rails Front .....2.36.4
- Horizontal rail for HL handle .....2.36.6
- Horizontal Rails Rear/Central.....2.36.6
- Z and perforated rails .....2.36.11
- T - Insulation Strip .....2.36.12
- Threaded inserts .2.36.13
- Board locking.....2.36.14
- Cable channel .....2.36.14
- Identification strip 84 HP .....2.36.14
- Identification holder .....2.36.14
- Adapter brackets .2.36.15
- Device handle .....2.36.15
- Universal handle .2.36.15
- Subrack conversion kit.....2.36.16
- Subrack conversion kit 6 U/84 HP .....2.36.17
- 6 U/2 HP partial width front panel .....2.36.17
- Subdivide Mounting Height 6 U or 9 U .2.36.18
- Notch.....2.36.21
- Shielding panel ...2.36.22
- Chassis plate .....2.36.22
- Cover plate 84 HP .....2.36.23
- Covers on the rear side .....2.36.24
- Guide rails.....2.36.26
- Printed circuit board accessories .....2.36.30
- Slide nut.....2.36.32



# europac accessories

Case ..... 2.10.0

Subrack ..... 2.20.0

europacPRO ..... 2.21.0

europacPRO

integral ..... 2.22.0

europac ..... 2.30.0

europac rational ..... 2.31.0

europac lab ..... 2.32.0

europac mobile ..... 2.33.0

europac special ..... 2.34.0

europac lab HF ..... 2.35.0

europac

accessories ..... 2.36.0

metripac ..... 2.40.0

19" chassis ..... 2.50.0

Modules ..... 2.60.0

Accessories .... 2.70.0

Appendix ..... 2.80.0

## Assembly kit for Z- and perforated rails

■ Mounting is by means of threaded inserts or slide nuts

Item	Description	Comment	Order no.
1	Square nut with slide M 2.5; SW 5 DIN 562		<b>21100-425</b> 100 pieces
2	Threaded strip M 2.5; 84 HP		<b>30819-594</b> 1 piece
3	Pan head screw with slot M 2.5 × 6 DIN 85	for "central rail" with Z	<b>21100-146</b> 100 pieces
	M 2.5 × 5 DIN 85	for "horizontal rail with Z- or perforated rail for connectors as per DIN 41612,41617	<b>21100-624</b> 100 pieces

## T - Insulation Strip

■ For insulated mounting of backplanes or mounting metal plates as holders for connectors

■ Setting up standardised mounting depth for plug-in units in the subrack

Usable HP	Length (mm)	Order no.
20	101,5	<b>30835-109</b>
28	144,2	<b>30835-110</b>
42	210,2	<b>60817-118</b>
84	428,6	<b>60817-061</b>

### Delivery comprises

Item	Qty	Description	Material	Colour
1	1	Insulation strip	PBTPUL 94 V-0	grey

## Clips

Clips for fixing the insulation strip (item 1) to the threaded insert (item 3).

Order no. **21100-824**

### Delivery comprises

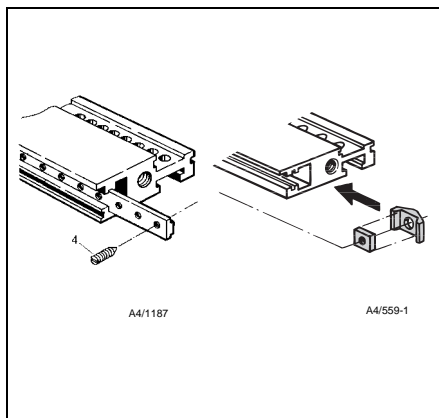
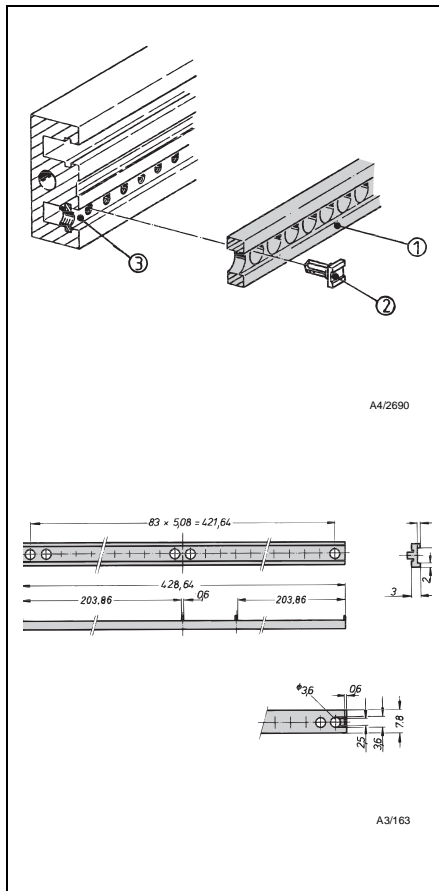
Item	Qty	Description	Material	Colour
2	1 Kit (100 pieces)	Clips	PPO UL 94 V-0	red

## Grub screw

■ For fixing the threaded insert

■ Required for conductive connections in the case of anodised horizontal rails

Description	Thread	Order no.	
		1 kit (20 units)	1 kit (100 pieces)
Grub screw DIN 553	M 2.5	<b>21100-275</b>	<b>21100-276</b>
	M 3	-	<b>21100-646</b>

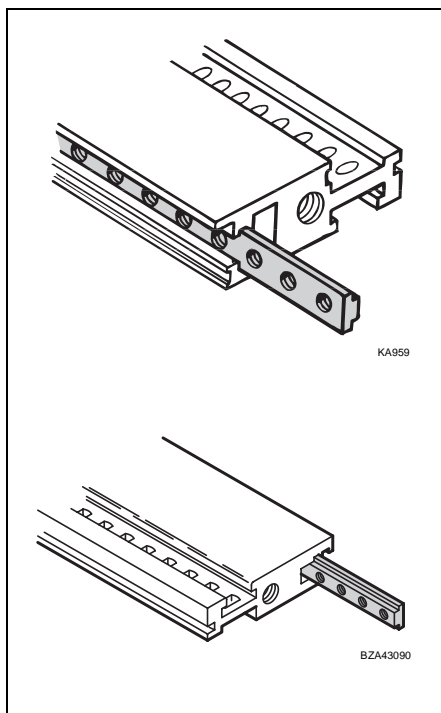




## Threaded inserts

### Threaded insert, standard, M 2.5

Can be used for all horizontal rails.



Usable HP	Length (mm)	Order no.
9	50,3	<b>30819-669</b>
20	106,2	<b>30819-658</b>
28	146,8	<b>30819-650</b>
40	207,8	<b>30819-638</b>
42	217,9	<b>30819-636</b>
60	309,4	<b>30819-618</b>
63	324,6	<b>30819-615</b>
84	431,3	<b>30819-594</b>

#### Delivery comprises

Qty	Description	Material	Surface
1	Threaded strip	Steel extrusion	zinc-plated

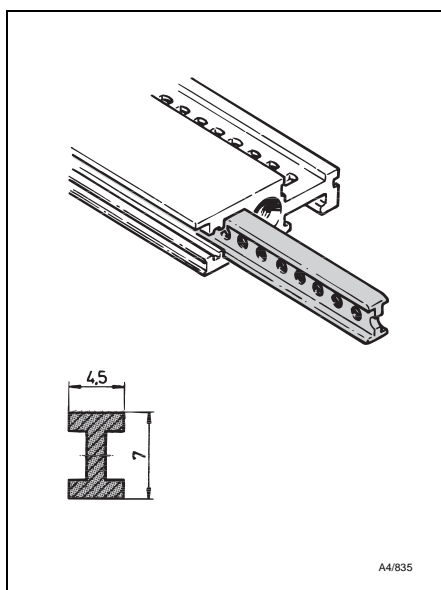
#### Note

The collar screws for mounting partial width front panels must be 11.0 mm long.

Thread spacing: 1 HP (5.08 mm).

### Threaded insert, double T, M 2.5

Can be used for front horizontal rails.  
Extended mounting possibility for other assemblies.



Usable HP	Length (mm)	Order no.
28	146,8	<b>30829-035</b>
42	217,9	<b>30829-049</b>
63	324,6	<b>30829-070</b>
84	431,3	<b>30829-091</b>

#### Delivery comprises

Qty	Description	Material	Surface
1	Threaded strip	Steel section	zinc-plated

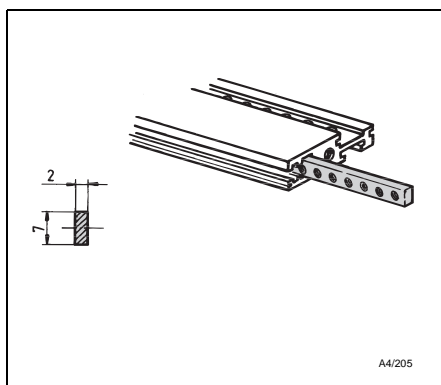
#### Note

The collar screws for mounting partial width front panels must be 12.3 mm long.

Thread spacing: 1 HP (5.08 mm).

### Threaded insert, M 3

Can only be used for front horizontal rails.  
M 3 conforms to the 19" standard



Usable HP	Length (mm)	Order no.
84	431,3	<b>30821-589</b>

#### Delivery comprises

Qty	Description	Material	Surface
1	Threaded strip	Steel extrusion	zinc-plated

Thread spacing: 1 HP (5.08 mm).

- Horizontal Rails Information .....2.36.0
- Horizontal Rails Front .....2.36.4
- Horizontal rail for HL handle .....2.36.6
- Horizontal Rails Rear/Central.....2.36.6
- Z and perforated rails .....2.36.11
- T – Insulation Strip .....2.36.12
- Threaded inserts. 2.36.13
- Board locking.....2.36.14
- Cable channel .....2.36.14
- Identification strip 84 HP .....2.36.14
- Identification holder .....2.36.14
- Adapter brackets 2.36.15
- Device handle .....2.36.15
- Universal handle .2.36.15
- Subrack conversion kit.....2.36.16
- Subrack conversion kit 6 U/84 HP .....2.36.17
- 6 U/2 HP partial width front panel .....2.36.17
- Subdivide Mounting Height 6 U or 9 U .2.36.18
- Notch.....2.36.21
- Shielding panel ...2.36.22
- Chassis plate .....2.36.22
- Cover plate 84 HP .....2.36.23
- Covers on the rear side .....2.36.24
- Guide rails.....2.36.26
- Printed circuit board accessories .....2.36.30
- Slide nut.....2.36.32



# europac accessories

Case ..... 2.10.0

Subrack ..... 2.20.0

europacPRO ..... 2.21.0

europacPRO

integral ..... 2.22.0

europac ..... 2.30.0

europac rational ..... 2.31.0

europac lab ..... 2.32.0

europac mobile ..... 2.33.0

europac special ..... 2.34.0

europac lab HF ..... 2.35.0

europac accessories ..... 2.36.0

metripac ..... 2.40.0

19" chassis ..... 2.50.0

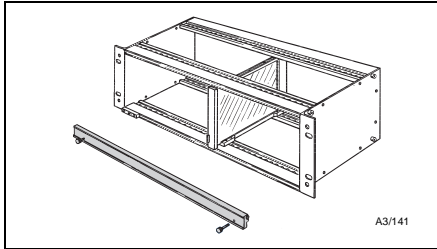
Modules ..... 2.60.0

Accessories .... 2.70.0

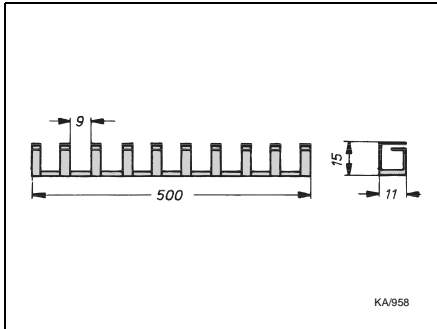
Appendix ..... 2.80.0



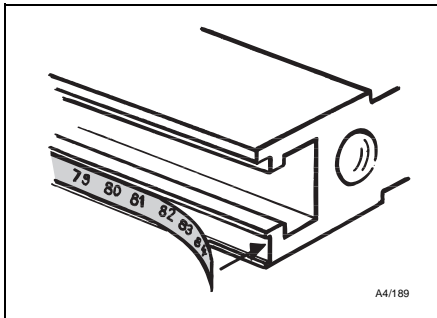
04492017



A3/141



KA/958



A4/189



04492018

## Board locking

- For europac subracks 84 HP.
- The aluminium extrusion retaining rail locks the printed boards as well as carrying identification marking.

### Delivery comprises

Aluminium rail, anodised, with ID label, transparent cover strip, 2 knurled screws and 2 slide nuts.

Order no. **20817-182**

## Cable ducting

Order no. **69000-507**

### Delivery comprises

Item	Qty	Description	Material	Colour
1	1	Cable	PP UL 94 V-2	grey-white

Can be mounted on threaded inserts or slide nuts.

## Identification strip 84 HP

- For identification of slots and mounting positions
- self-adhesive

Number grid	Lettering	Order no.1 Kit (18 piece)
1 HP	for front (1,2,3 ... 84)	<b>60807-076</b>
	for rear (84, 83, 82 ... 1)	<b>60807-077</b>
4 HP	for front (1,2,3 ... 21)	<b>60819-007</b>

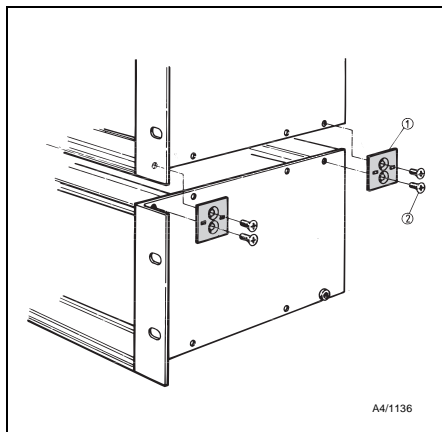
## Identification holder

The acrylic glass identification holder can be snapped into place in the front horizontal rail without using tools. The rail shape facilitates pushing in a label strips.

### Note

The identification holder precludes attaching front panels.

Qty	Description	Material/finish	Length (mm)	Order no.
1	Identification holder	Acrylic glass, PMMA/transparent	426	<b>60807-028</b>
1	Label strips	Thin card stock/white	1000	<b>60807-026</b>
20 pieces	Label strips	Thin card stock/white	426	<b>69000-934</b>



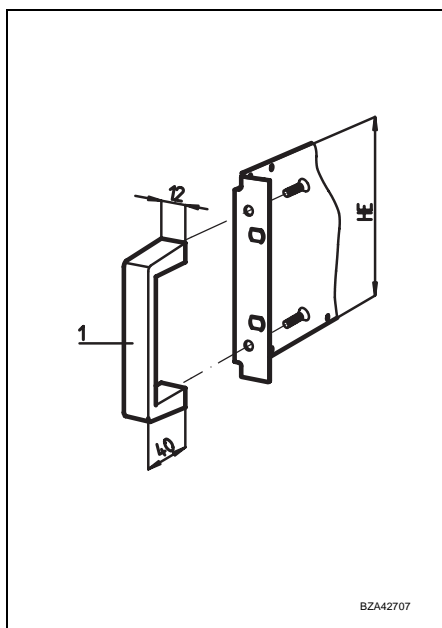
## Adapter brackets

- For assembling subracks above one another
- Assembly is carried out by exchanging the horizontal rail fixing screws for the screws supplied.

Order no. **20822-045**

### Delivery comprises

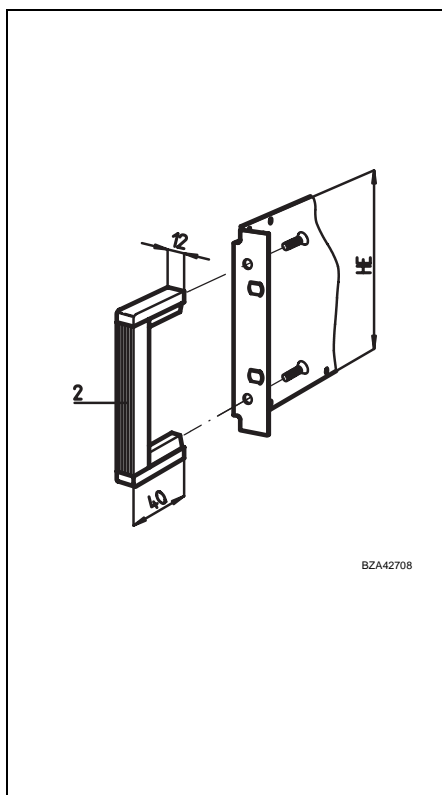
Item	Qty	Description	Material	Surface
1	4	Clips	Diecast aluminium	
2	8	Screw, countersunk	steel	zinc-plated



## Device handle

- For all subracks
- Made from aluminium profile
- Load-carrying capacity: 30 kg per handle

Description	U	Finish, anodised	Order no. for 1 unit
Handle	3	clear	<b>10501-005</b>
		black	<b>10501-026</b>
	4	clear	<b>10501-018</b>
		black	<b>10501-028</b>
	5	clear	<b>10501-007</b>
		black	<b>10501-028</b>
6	clear	<b>10501-008</b>	
	black	<b>10501-029</b>	
Countersunk screw M 5 × 12			<b>21100-234</b> 100 pieces



## Universal handle

- For all subracks
- In three parts; 2 end pieces made from fibreglass reinforced polyamide, intermediate plate made from aluminium profile
- Load-carrying capacity: 10 kg per handle

Description	U	Order no. for 1 unit
Universal handle	3	<b>10502-057</b>
	5	<b>10502-063</b>
	6	<b>10502-065</b>
Countersunk screw M 5 / 12		<b>21100-234</b> 100 pieces

### Delivery comprises

Qty	Description	Material	Surface
2	End piece	PA, UL 94 HB	Dark grey
1	Intermediate bar	Aluminium extrusion	anodised, clear

Horizontal Rails Information .....	2.36.0
Horizontal Rails Front .....	2.36.4
Horizontal rail for HL handle .....	2.36.6
Horizontal Rails Rear/Central .....	2.36.6
Z and perforated rails .....	2.36.11
T – Insulation Strip .....	2.36.12
Threaded inserts .....	2.36.13
Board locking .....	2.36.14
Cable channel .....	2.36.14
Identification strip 84 HP .....	2.36.14
Identification holder .....	2.36.14
Adapter brackets .....	2.36.15
Device handle .....	2.36.15
Universal handle .....	2.36.15
Subrack conversion kit .....	2.36.16
Subrack conversion kit 6 U/84 HP .....	2.36.17
6 U/2 HP partial width front panel .....	2.36.17
Subdivide Mounting Height 6 U or 9 U .....	2.36.18
Notch .....	2.36.21
Shielding panel .....	2.36.22
Chassis plate .....	2.36.22
Cover plate 84 HP .....	2.36.23
Covers on the rear side .....	2.36.24
Guide rails .....	2.36.26
Printed circuit board accessories .....	2.36.30
Slide nut .....	2.36.32





# europac accessories

Case ..... 2.10.0

Subrack ..... 2.20.0

europacPRO ..... 2.21.0

europacPRO integral ..... 2.22.0

europac ..... 2.30.0

europac rational ..... 2.31.0

europac lab ..... 2.32.0

europac mobile ..... 2.33.0

europac special ..... 2.34.0

europac lab HF ..... 2.35.0

europac accessories ..... 2.36.0

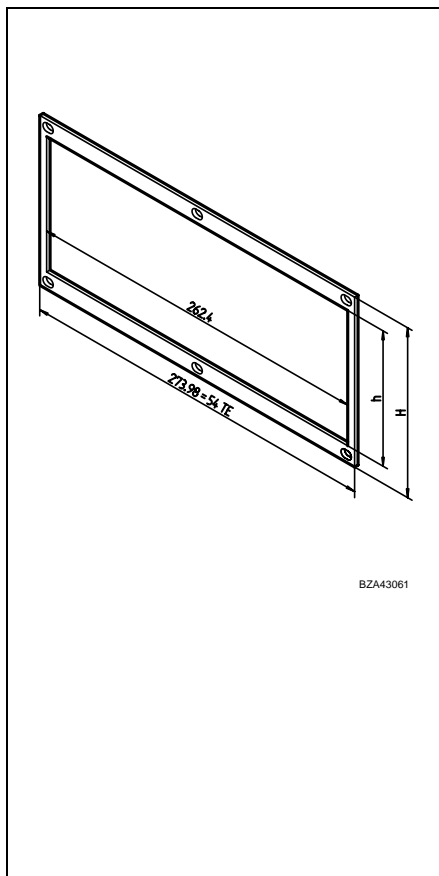
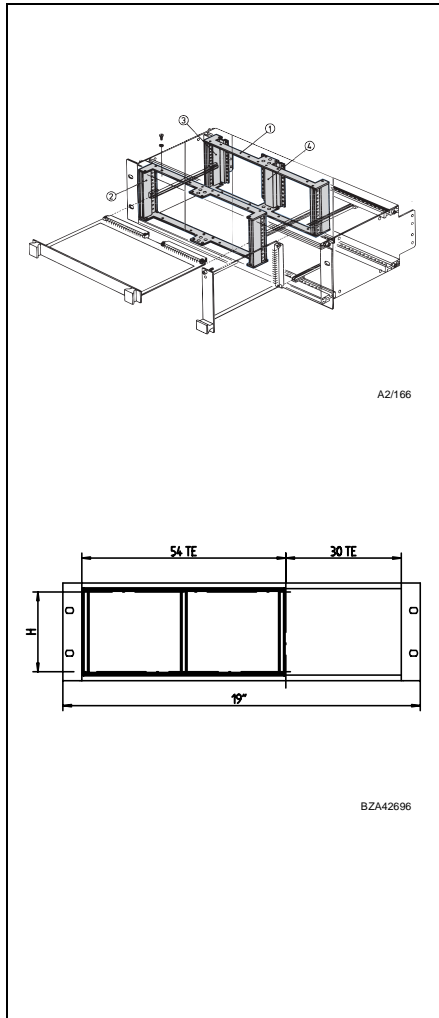
metripac ..... 2.40.0

19" chassis ..... 2.50.0

Modules ..... 2.60.0

Accessories .... 2.70.0

Appendix ..... 2.80.0



## Subrack conversion kit

For mixed card installation, i. e. horizontal installation of single or double-height euroboard in a subrack/case with 3 U or 4 U height and at least 53 HP (269.24 mm) mounting width.

### Note

Space requirement 53 HP. No horizontal rails may be used with Z at the rear of a subrack/case.

Description	Usable width	Order No. (1 piece)	
		Surface anodised	Surface clear chromated
<b>Subrack conversion kit for 3 U</b>	20 HP	<b>20819-091</b>	*
-Rear horizontal rail with Z		<b>20819-090</b>	<b>20837-003</b>
-Rear horizontal rail without Z			
<b>Subrack conversion kit for 4 U</b>	28 HP	<b>20819-097</b>	*
-Rear horizontal rail without Z			

\* Available on request

### Delivery comprises

Item	Qty	Description	Material	Surface
1	4	Mounting plates	Zinc die-cast	
2	2	Front horizontal rails, without lip	Aluminium extrusion	See table
3	2	Rear horizontal rails, with/without Z	Aluminium extrusion	See table
4	1	Centre horizontal rail, with/without Z	Aluminium extrusion	See table
5	1 Set	Mounting parts		

Delivery: In kit form

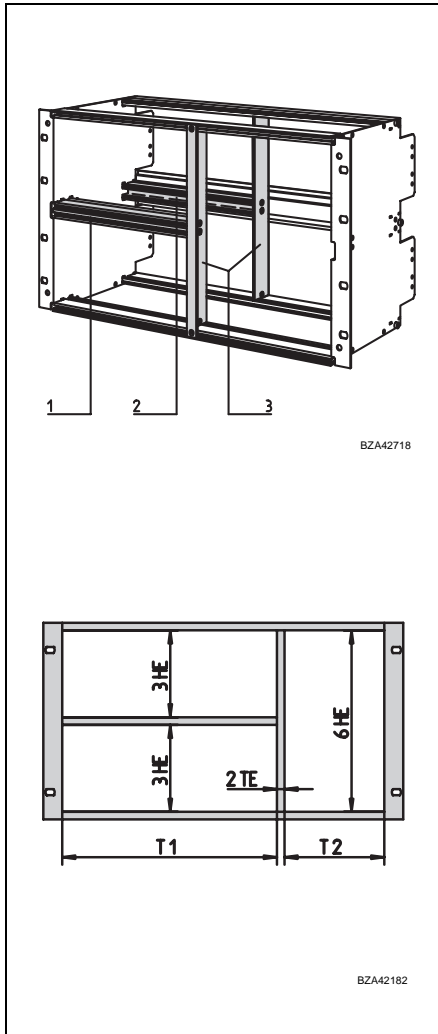
## Front frame for subrack conversion kit

The front frame locks the partial width front panels flush with the plug-in units that are installed in the mounting kit.

For subrack conversion kit	Dimensions in mm		Order no.
	H	H	
3 U	128,4	102,0	<b>30835-162</b>
4 U	168,8	142,6	<b>30838-949</b>

### Delivery comprises

Item	Qty	Description	Material	Surface	Comments
1	1	Front frame	Al 2.5 mm	clear anodised	Partial width front panel with cut-out



## Subrack conversion kit 6 U/84 HP

- Type A for all europac subracks except for europac lab special and europac lab HF
- Type B with notch for subracks europac lab special and europac lab HF
- Subdivision of the mounting height into
  - 2 × 3 U areas and
  - 1 × 6 U areas
- For single-height euroboard 100 mm high and double-height euroboard 233.4 mm high
- Suitable partial width front panel 6 U/2 HP for covering the splitting extrusion

Pitch T1 : T2 in HP	Order no.	
	anodised 6 U/84 HP	clear chromated 6 U/84 HP
20 : 62	<b>20819-085</b>	<b>20819-110</b>
21 : 61	<b>20819-049</b>	*
40 : 42	<b>20819-086</b>	<b>20819-112</b>
42 : 40	<b>20819-050</b>	<b>20819-113</b>
60 : 22	<b>20819-045</b>	<b>20819-114</b>
63 : 19	<b>20819-051</b>	*

\* Available on request

### Delivery comprises

Item	Qty	Description	Material	Surface
1	1	Double rail front, centre	Aluminium extrusion	See table
2	1	Double rail rear, centre	Aluminium extrusion	anodised
3	2	Support members	Diecast aluminium	
4	1 Set	Mounting parts		

Delivery: In kit form

## 6 U/2 HP partial width front panel

- For covering the support member
- Material: Al 2.5 mm

Surface	Order No. (1 piece) (with notch)
anodised, clear	<b>30817-034</b>
anodised, clear, cut edge, clean	<b>30818-701</b>

See also partial width front panel 6 U/2 HP for europac lab HF

## Assembly part kit for partial width front panels 6 U/2 HP

Description	Finish/material	Order no. 100 pieces
Collar screw with slot M 2.5 × 11	nickel-plated	<b>21100-379</b>
	black	<b>21100-590</b>
Pozidrive collar screw M 2.5 × 11	nickel-plated	<b>21100-748</b>
	black	<b>21100-749</b>
Washer 2.7	PA-6	<b>21101-121</b>

Note: Please order threaded inserts separately

Horizontal Rails	
Information .....	2.36.0
Horizontal Rails	
Front .....	2.36.4
Horizontal rail for HL handle .....	2.36.6
Horizontal Rails	
Rear/Central .....	2.36.6
Z and perforated rails .....	2.36.11
T – Insulation	
Strip .....	2.36.12
Threaded inserts .....	2.36.13
Board locking .....	2.36.14
Cable channel .....	2.36.14
Identification strip 84 HP .....	2.36.14
Identification holder .....	2.36.14
Adapter brackets .....	2.36.15
Device handle .....	2.36.15
Universal handle .....	2.36.15
Subrack conversion kit .....	2.36.16
Subrack conversion kit 6 U/84 HP .....	2.36.17
6 U/2 HP partial width front panel .....	2.36.17
Subdivide Mounting Height 6 U or 9 U .....	2.36.18
Notch .....	2.36.21
Shielding panel ... ..	2.36.22
Chassis plate .....	2.36.22
Cover plate 84 HP .....	2.36.23
Covers on the rear side .....	2.36.24
Guide rails .....	2.36.26
Printed circuit board accessories .....	2.36.30
Slide nut .....	2.36.32



# europac accessories

Case ..... 2.10.0

Subrack ..... 2.20.0

europacPRO ..... 2.21.0

europacPRO integral ..... 2.22.0

europac ..... 2.30.0

europac rational ..... 2.31.0

europac lab ..... 2.32.0

europac mobile ..... 2.33.0

europac special ..... 2.34.0

europac lab HF ..... 2.35.0

europac accessories ..... 2.36.0

metripac ..... 2.40.0

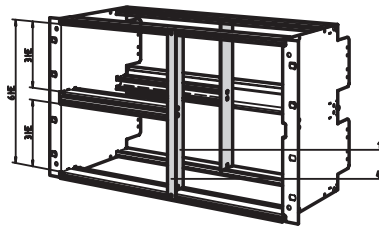
19" chassis ..... 2.50.0

Modules ..... 2.60.0

Accessories .... 2.70.0

Appendix ..... 2.80.0

**Example:** Mounting height 6 U subdivided



BZA42774

## Subdivide Mounting Height 6 U or 9 U

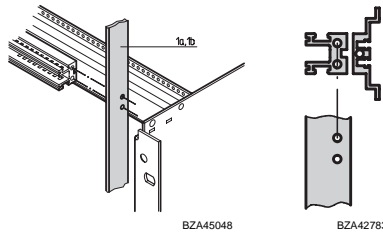
The mounting height of subracks and system cases can be subdivided into several mounting areas. To achieve this, two support members (1) are incorporated as a "divider plate".

Assembly points in the 3-U-increment allow installation of shortened horizontal rails. A 2 HP wide partial width front panel (4) covers the support member.

## Select the front support member

All support member versions (1a, 1b, 1c) may be used.

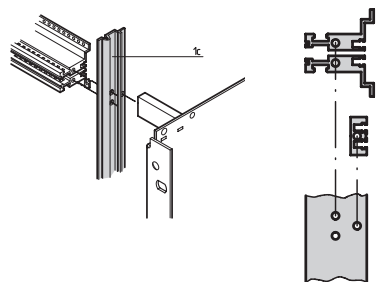
### Rear installation conditions (support member)



BZA45048

BZA42783

### Rear installation conditions (support member depth)



BZA45061

BZA42782

## Select the rear support member

Two different types of support members may be mounted at the rear.

### ■ Standard support member

#### – with cut-out for horizontal rail mounting (1a, 1b)

For assembly of shortened rear horizontal rails.

Central rails can not be bolted onto the support member. When "rear double rails" are used the central rails can be routed behind the support member.

### ■ Support member, depth

#### – with cut-out for fixing horizontal and central rails (1c)

For assembly of shortened rear horizontal rails as well as central rails.

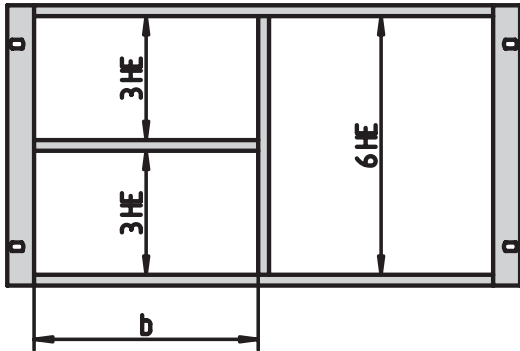
Central rails cannot be routed behind this support member.



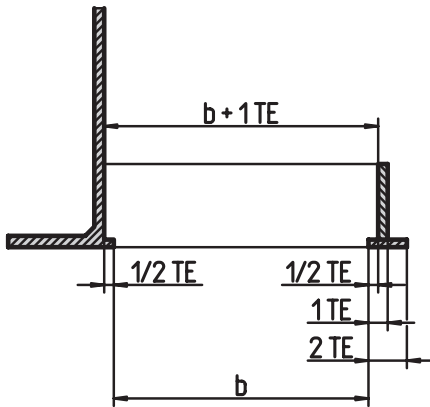
## Individual parts 6 U

Shortened horizontal, double horizontal and central rails ("rails" length = required mounting width  $w + 1$  HP) see overview  
Please order threaded inserts separately

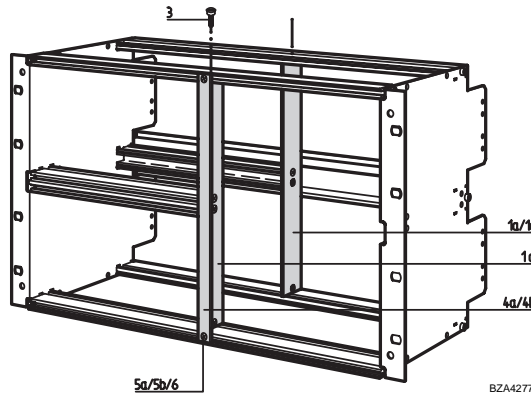
Mounting height 6 U combined



BZA42772



BZA42776



BZA42773

Item	Qty	Description	Material/finish	Comments	Order no.
1a	1	Standard support member 6 U	Diecast aluminium	2 support members necessary per subrack	<b>60819-006</b>
1c	1	Support member, depth	Aluminium extrusion, clear chromated		<b>30819-321</b>
2a	100	Pozidrive countersunk screw M 5 × 12	St, zinc-plated	for horizontal rails to support member (item 1a)	<b>21100-234</b>
2c	100	Cheesehead screws with hexagon socket M 5 × 12	St, nickel-plated	for horizontal rails to support member (Pos. 1c)	<b>21100-575</b>
3	100	Cheesehead screws with slot M 2.5 × 12	St, nickel-plated	2 pieces required per support member	<b>21100-148</b>
4a	1	Partial width front panel 6 U/ 2 HP without notch <sup>1)</sup>	Al, anodised Aluminium anodised, clear, cut edges plain	Further description see under plug-in units/partial width front panels	<b>30818-741</b>
4b	1	Partial width front panel 6 U/ 2 HP with notch <sup>1)</sup>	Al, anodised		<b>30818-747</b>
			Aluminium anodised, clear, cut edges plain		<b>30817-034</b>
			Al/painted, RAL 7032		<b>30818-701</b>
5a	100	Collar screws with slot M 2.5 × 11	nickel-plated black	for mounting partial width front panels (item 4)	<b>30817-033</b> <b>21100-379</b> <b>21100-590</b>
5b	100	Pozidrive collar screws M 2.5 × 11	nickel-plated	<b>21100-748</b>	
			black	<b>21100-749</b>	
6	100	Washers 2.7	PA-6		<b>21101-121</b>

<sup>1)</sup> For further information see notch

- Horizontal Rails Information .....2.36.0
- Horizontal Rails Front .....2.36.4
- Horizontal rail for HL handle .....2.36.6
- Horizontal Rails Rear/Central.....2.36.6
- Z and perforated rails .....2.36.11
- T – Insulation Strip .....2.36.12
- Threaded inserts. 2.36.13
- Board locking.....2.36.14
- Cable channel .....2.36.14
- Identification strip 84 HP .....2.36.14
- Identification holder .....2.36.14
- Adapter brackets 2.36.15
- Device handle .....2.36.15
- Universal handle .2.36.15
- Subrack conversion kit.....2.36.16
- Subrack conversion kit 6 U/84 HP .....2.36.17
- 6 U/2 HP partial width front panel .....2.36.17
- Subdivide Mounting Height 6 U or 9 U. 2.36.18
- Notch.....2.36.21
- Shielding panel ...2.36.22
- Chassis plate .....2.36.22
- Cover plate 84 HP .....2.36.23
- Covers on the rear side .....2.36.24
- Guide rails.....2.36.26
- Printed circuit board accessories .....2.36.30
- Slide nut.....2.36.32



# europac accessories

Case ..... 2.10.0

Subrack ..... 2.20.0

europacPRO ..... 2.21.0

europacPRO integral ..... 2.22.0

europac ..... 2.30.0

europac rational ..... 2.31.0

europac lab ..... 2.32.0

europac mobile ..... 2.33.0

europac special ..... 2.34.0

europac lab HF ..... 2.35.0

europac accessories ..... 2.36.0

metripac ..... 2.40.0

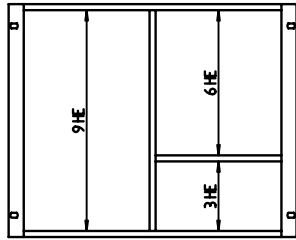
19" chassis ..... 2.50.0

Modules ..... 2.60.0

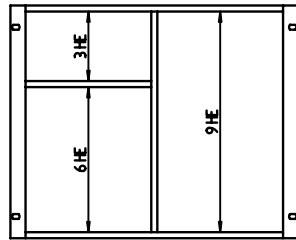
Accessories .... 2.70.0

Appendix ..... 2.80.0

Mounting height 9 U subdivided  
Version 1

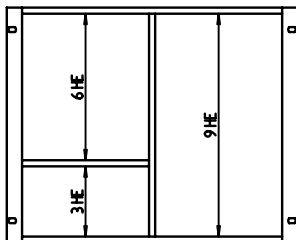


BZA42768

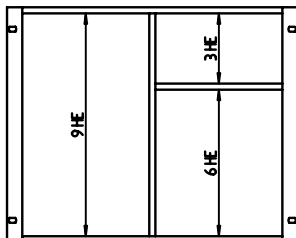


BZA42769

Version 2



BZA42770



BZA42771

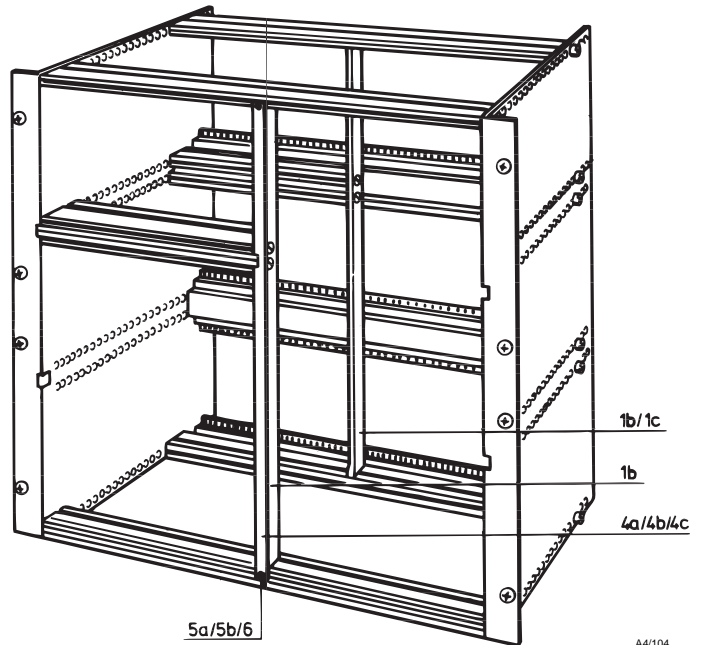
## Individual parts 9 U

Shortened horizontal rails ("rails" length = required mounting width  $w + 1$  HP) see overview

Please order threaded inserts separately

### Note

Select the "partial width front panel 2 HP with notch" version appropriate for the location of the mounting height 3 U (see drawing).

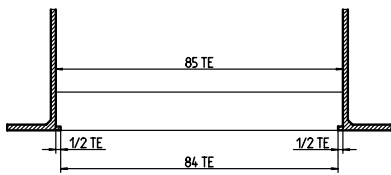


A4/104

Item	Qty	Description	Material/finish	Remarks	Order no.
1b	1	Standard support member 9 U	Aluminium extrusion, clear chromated	2 support members necessary per subrack	<b>30897-203</b>
1c	1	Support member 9 U	Aluminium extrusion, clear chromated		<b>30819-988</b>
2c	1 kit (100 pieces)	Cheesehead screws with hexagon socket M 5 × 12	St, zinc-plated	For horizontal rail to support member (item 1b)	<b>21100-575</b>
3	1 kit (100 pieces)	Pozidrive c/sk screws, M 2.5 × 12	St, zinc-plated	For horizontal rails to support member, depth (1c), 2 pieces required per support member	<b>21100-234</b>
5a	1 kit (100 pieces)	Collar screws with slot M 2.5 × 11	nickel-plated black	For mounting partial width front panels (item 4)	<b>21100-379</b>
5b	1 kit (100 pieces)	Pozidrive collar screws M 2.5 × 11	nickel-plated black		<b>21100-590</b>
					<b>21100-748</b>
6	1 kit (100 pieces)	Washers 2.7 × 5 × 1	PA-6		<b>21100-749</b>
					<b>21101-121</b>

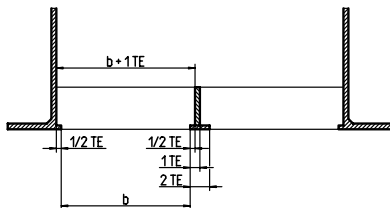


Usable width 19" = 84 HP



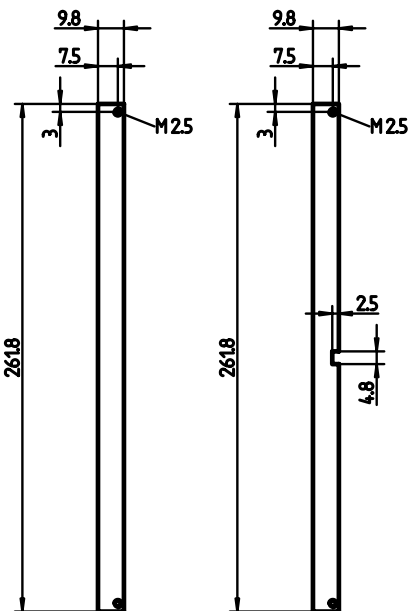
BZA42747

Usable width = w



BZA42748

Partial width front panels 2 HP



6 U  
without notch

with notch

BZA42745

## Notch

The 19" standard specifies the mounting width on the front of a subrack must be clear. E. g. at 19" width 84 HP (84 × 5.08 mm).

In order to adhere to the minimum distances specified in the Standard (e. g. for air gaps and creepage distances) ½ HP has to be kept free between the opening and side panels.

If the mounting width is subdivided the same conditions also apply for the support member and partial width front panel 2 HP for covering the support member.

As the horizontal rails run right up to the side panel (support member) either the "lip" of the front horizontal rails or the ½ HP wide cover must be "notched".

Horizontal Rails	
Information .....	2.36.0
Horizontal Rails	
Front .....	2.36.4
Horizontal rail for HL	
handle .....	2.36.6
Horizontal Rails	
Rear/Central .....	2.36.6
Z and perforated	
rails .....	2.36.11
T – Insulation	
Strip .....	2.36.12
Threaded inserts .....	2.36.13
Board locking .....	2.36.14
Cable channel .....	2.36.14
Identification strip	
84 HP .....	2.36.14
Identification	
holder .....	2.36.14
Adapter brackets .....	2.36.15
Device handle .....	2.36.15
Universal handle .....	2.36.15
Subrack conversion	
kit .....	2.36.16
Subrack conversion kit	
6 U/84 HP .....	2.36.17
6 U/2 HP partial width	
front panel .....	2.36.17
Subdivide Mounting	
Height 6 U or 9 U .....	2.36.18
Notch .....	2.36.21
Shielding panel .....	2.36.22
Chassis plate .....	2.36.22
Cover plate	
84 HP .....	2.36.23
Covers on the rear	
side .....	2.36.24
Guide rails .....	2.36.26
Printed circuit board	
accessories .....	2.36.30
Slide nut .....	2.36.32



# europac accessories

Case ..... 2.10.0

Subrack ..... 2.20.0

europacPRO ..... 2.21.0

europacPRO

integral ..... 2.22.0

europac ..... 2.30.0

europac rational ..... 2.31.0

europac lab ..... 2.32.0

europac mobile ..... 2.33.0

europac special ..... 2.34.0

europac lab HF ..... 2.35.0

europac

accessories ..... 2.36.0

metripac ..... 2.40.0

19" chassis ..... 2.50.0

Modules ..... 2.60.0

Accessories .... 2.70.0

Appendix ..... 2.80.0

A2/2787

KAA43107

Dimensions in mm				
	for board-depth	H	t	D
3 U	160	112,5	123,4	162,5
3 U	220	112,5	183,4	222,5
6 U	160	245,9	123,4	162,5
6 U	220	245,9	183,4	222,5

## Shielding panel

- Increase in electromagnetic shielding
- Assembly to horizontal rails (4 screws, 4 shakeproof washers)
- Space requirement on the component side 1 mm
- For separation within the subrack

### Note

Steel plate, 1 mm

### Surface

Zinc-plated, white

Item	Qty	Description	Board depth mm	Order no.
1	1	Shielding panel 3 U	160	<b>30820-099</b>
			220	<b>30820-100</b>
		Shielding panel 6 U	160	<b>30820-101</b>
			220	<b>30820-102</b>
2	100 units	Cheesehead screw M 2.5 × 8		<b>21100-140</b>
3	100 units	Shakeproof washer		<b>21100-142</b>

A4/2073

BZA42763

## Chassis plate

- For mounting heavy components

### Usable in the following products:

- Subrack europac lab
- compac case
- cardpac case
- ratiopac case
- propac case

Chassis plates are mounted to the side panel 10x grid holes. They can also be mounted under guide rails (non-reinforced version), so that, for instance, it is possible to have a card subrack and the mounting for a transformer next to one another. Board retainers may be used without any limitations.

**Material:** Al 2 mm.

Width W		For board height	Depth	Order no. for 1 unit
42 HP	218 mm	160 mm	93 mm	<b>30821-611</b>
		220 mm	153 mm	<b>30821-612</b>
		340 mm	273 mm	<b>30821-614</b>
84 HP	431.4 mm	160 mm	93 mm	<b>30821-619</b>
		220 mm	153 mm	<b>30821-620</b>
		340 mm	273 mm	<b>30821-622</b>

## Mounting parts

Qty	Description	Material	Surface
100 pieces in each case	Pozidrive flathead screw M 4 × 6 with cross recess;	steel	nickel-plated
	Shakeproof washer	steel	zinc-plated

Order no. **21100-952**



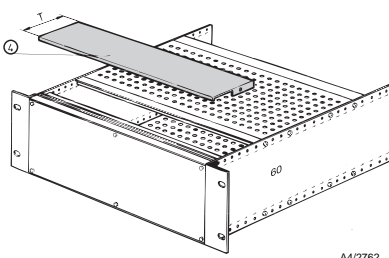
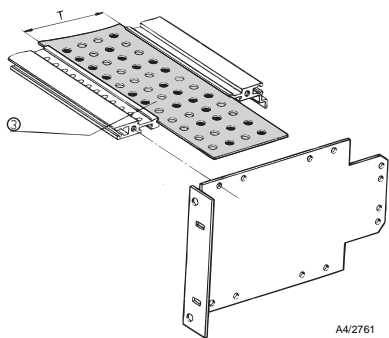
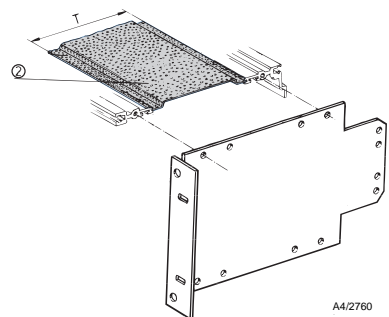
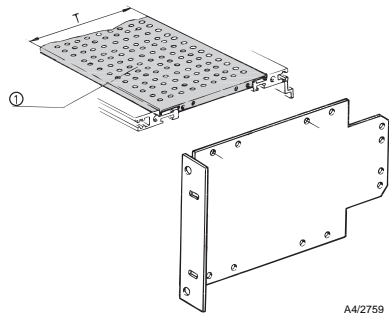
## Cover plate 84 HP

Cover plates provide mechanical protection

- ① For all subracks
  - mounting to the side panel
  - can be mounted subsequently; without disassembling the subrack
- ② For subracks with horizontal rails in lightweight versions
  - Mounting in the horizontal rail grooves
  - not usable with guide rails for board height 4.4" (111.7 mm)
- ③ For subracks
  - Mounting in the horizontal rail grooves <sup>1)</sup>
  - not usable with guide rails for board height 4.4" (111.7 mm) or reinforced versions
- ④ Only for europac lab with 60 mm recessed installation
  - Mounting to the side panel
  - can be mounted subsequently; without disassembling the subrack

### 1) Note

Same horizontal rail version necessary  
(e. g. "lightweight version" front and rear)



Item	Description	Board height (mm)	D mm	Material	Finish	Order no. (1 piece)
1	Cover plate to screw on (incl. assembly part kit)	160	131,4	Al 1 mm	clear chromated	<b>20817-334</b>
		220	191,4			<b>20817-336</b>
2	Cover plate for sliding in	160	110,0	Al perforated plate 1.2 mm		<b>30818-742</b>
		220	170,0			<b>30818-744</b>
3	Cover plate for sliding in	160	110,0	Al perforated plate 1.2 mm		<b>30819-323</b>
		180	130,0			<b>30819-441</b>
		220	170,0			<b>30819-324</b>
4	Cover plate for europac lab/lab special, with 60 mm recessed installation		38,7	Al 1 mm	clear chromated	<b>30826-287</b>
5	Assembly kit for cover plate (4) Cross recess screws M 4 x 6 with shakeproof washers					<b>21100-952</b> 100 pieces in each case

- Horizontal Rails Information .....2.36.0
- Horizontal Rails Front .....2.36.4
- Horizontal rail for HL handle .....2.36.6
- Horizontal Rails Rear/Central.....2.36.6
- Z and perforated rails .....2.36.11
- T – Insulation Strip .....2.36.12
- Threaded inserts. 2.36.13
- Board locking.....2.36.14
- Cable channel .....2.36.14
- Identification strip 84 HP .....2.36.14
- Identification holder .....2.36.14
- Adapter brackets 2.36.15
- Device handle .....2.36.15
- Universal handle .2.36.15
- Subrack conversion kit.....2.36.16
- Subrack conversion kit 6 U/84 HP .....2.36.17
- 6 U/2 HP partial width front panel .....2.36.17
- Subdivide Mounting Height 6 U or 9 U. 2.36.18
- Notch.....2.36.21
- Shielding panel ...2.36.22
- Chassis plate .....2.36.22
- Cover plate 84 HP .....2.36.23
- Covers on the rear side .....2.36.24
- Guide rails.....2.36.26
- Printed circuit board accessories .....2.36.30
- Slide nut.....2.36.32





# europac accessories

Case ..... 2.10.0

Subrack ..... 2.20.0

europacPRO ..... 2.21.0

europacPRO

integral ..... 2.22.0

europac ..... 2.30.0

europac rational ..... 2.31.0

europac lab ..... 2.32.0

europac mobile ..... 2.33.0

europac special ..... 2.34.0

europac lab HF ..... 2.35.0

europac accessories ..... 2.36.0

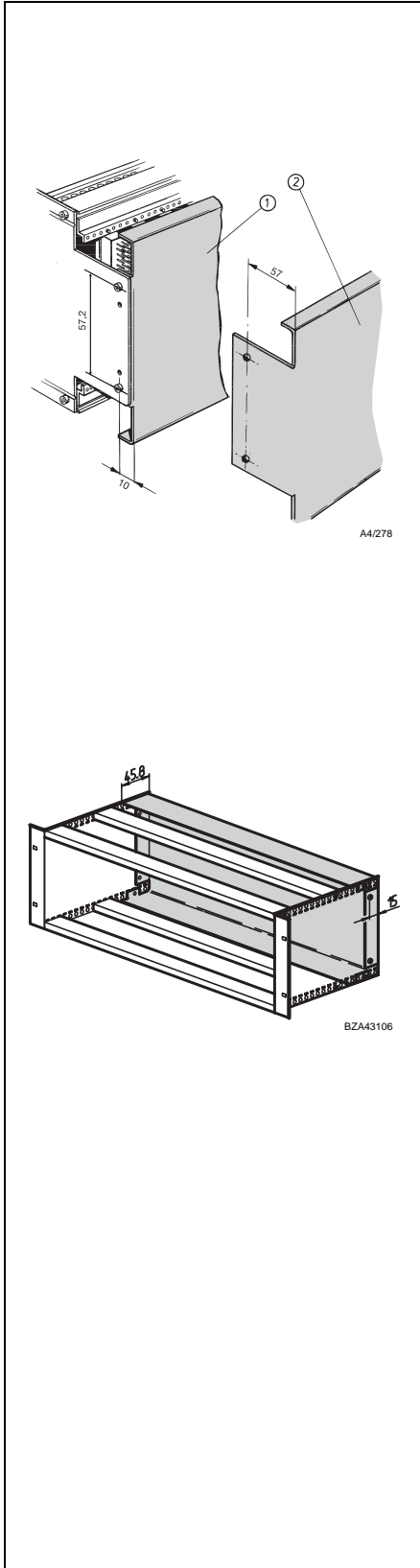
metripac ..... 2.40.0

19" chassis ..... 2.50.0

Modules ..... 2.60.0

Accessories .... 2.70.0

Appendix ..... 2.80.0



## Covers on the rear side

Covers on the rear side function as mechanical protection to the wiring side and for mounting periphery connectors.

The following covers are available:

- Protective hood for assembly to side panels for subracks: europac rational and europac lab
- Rear panel for assembly with mounting bracket on subracks: europac lab
- Hinged rear panels for assembly to extension plates or horizontal rails on subracks: europac rational and europac lab

## Protective hood 3 U for europac rational

Item	Description	Order no.
1	Protective hood	<b>20817-077</b>
2	Protective hood recessed	<b>20817-185</b>

### Delivery comprises

Qty	Description	Material	Surface
1	Protective hood	Al 1.5 mm; recessed: Al 2.5 mm	clear chromated
1 Set	Mounting parts		

## Protective hood 3 U for europac lab

Please order assembly kit separately.

Order No. 3 U **30826-288**

### Delivery comprises

Qty	Description	Material	Surface
1	Protective hood	Al plate 1 mm	clear chromated
1 Set	Mounting parts		

Qty	Description	Material	Surface
100	Cross recess screw M 4 x 6	steel	zinc-plated
	Shakeproof washer	steel	zinc-plated

Order no. **21100-952**

### Note

4 screws are required for the 3-U rear hood, 8 screws are required for the 6-U rear hood.





# europac accessories

Case ..... 2.10.0

Subrack ..... 2.20.0

europacPRO ..... 2.21.0

europacPRO integral ..... 2.22.0

europac ..... 2.30.0

europac rational ..... 2.31.0

europac lab ..... 2.32.0

europac mobile ..... 2.33.0

europac special ..... 2.34.0

europac lab HF ..... 2.35.0

europac accessories ..... 2.36.0

metripac ..... 2.40.0

19" chassis ..... 2.50.0

Modules ..... 2.60.0

Accessories .... 2.70.0

Appendix ..... 2.80.0



04292012

## Guide rails

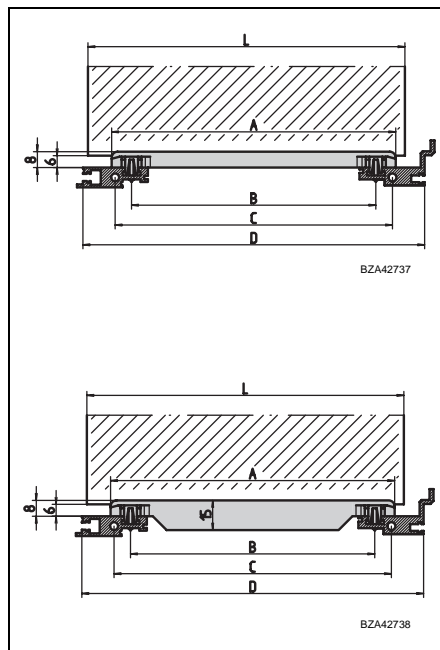
- Single guide rails
- Guide rails with integrated connector mounting according to EN 60603 (DIN 41612)
- guide rails for board height 4.4" (111.7 mm)
- Guide block with fixed board pitch (3 HP and 4 HP)
- Universal guide rails for individual board depth

## Single guide rails

Board depth (mm)	Groove width (mm)	Version		Version with board fixing		Version for high loading capability	Version with ESD clip	Version universal with AI middle part bolt-on
		lightweight	Standard	snap-in	bolt-on			
100	2	-	<b>60817-015</b>	-	-	-	-	-
160	2	<b>60817-064</b>	<b>60817-103</b>	<b>60817-001</b>	<b>60817-053</b>	<b>60817-102</b>	<b>20817-368</b>	-
	2,5	-	<b>60817-076</b>	-	-	-	-	-
180	2	-	-	<b>60817-026</b>	-	-	-	-
220	2	-	<b>60817-149</b>	<b>60817-016</b>	<b>60817-083</b>	<b>60817-085</b>	<b>20817-369</b>	-
	2,5	-	-	-	-	<b>60817-098</b>	-	-
280	2	-	-	-	-	<b>60817-080</b>	-	-
340	2	-	-	-	-	-	-	<b>20825-120</b>
400	2	-	-	-	-	-	-	<b>20825-121</b>

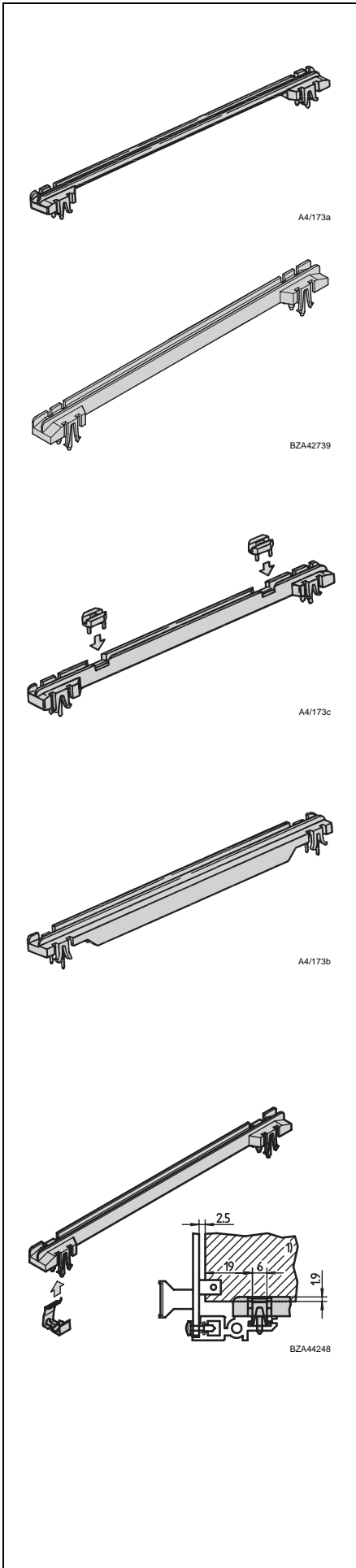
### Note

The required accessories and detailed description of the guide rails are given on the following pages.



## Guide rail dimensions

Board depth L	Dimensions (mm)			
	A	W	C	D
100	83,4	63,4	80	112,24
160	143,4	123,4	140	172,24
180	163,4	143,4	160	192,24
220	203,4	183,4	200	232,24
280	263,4	243,4	260	292,24
340	323,4	303,4	320	352,24
400	383,4	363,4	380	412,24



## Guide Rail

### ■ Guide rail (lightweight version)

Board depth (mm)	Groove width (mm)	Material	Colour	Order no. (1 piece)
160	2	PPO UL 94 V-0	black	<b>60817-064</b>

### ■ Guide rail (standard version)

Board depth (mm)	Groove width (mm)	Material	Colour	Order no. (1 piece)
100	2	PBTPUL 94 V-0	black	<b>60817-015</b>
160	2	PBTPUL 94 V-0	grey	<b>60817-103</b>
	2,5	PPO UL 94 V-0	black	<b>60817-076</b>
220	2	PBTPUL 94 V-0	grey	<b>60817-149</b>

### ■ Guide rail (with brackets for anti-vibration clips)

- Anti-vibration clip for enhanced fixing of plug-in units
- Groove width 2 mm

Item	Qty	Description	Board height (mm)	Material	Colour	Order no. (1 piece)
1	1	Guide rail	160	PPO UL 94 V-0	black	<b>60817-001</b>
			180			<b>60817-026</b>
			220			<b>60817-016</b>
2	10	Anti-vibration clip		PPO UL 94 V-0	red	<b>21100-553</b>
	100		<b>21100-554</b>			

### ■ Guide rail (reinforced version) **Note**

- for heavy plug-in units
- Groove width 2 mm
- Assembly of horizontal rails under guide rails is not possible.

Board depth (mm)	Groove width (mm)	Material	Colour	Order no. (1 piece)
160	2	PBTPUL 94 V-0	black	<b>60817-102</b>
220				<b>60817-085</b>
280				<b>60817-080</b>
220	2,5	PPO UL 94 V-0		<b>60817-098</b>

### ■ Guide rail (with ESD clip)

- For conducting static charges **Note** whilst the board is being pushed in Horizontal rails with a conductive finish must be used.
- Low-ohmic and lowinductive earth connection during operation **Delivery:** assembled
- Contact in board margin (see diagram)

Board depth (mm)	Groove width (mm)	Material	Colour	Order no. (1 piece)
160	2	PBTP UL 94 V-0/ St tin-plated	grey	<b>20817-368</b>
220	2	PPO UL 94 V-0/ St tin-plated	grey	<b>20817-369</b>

All other single guide rails including with an ESD-Clip are available upon request.

- Horizontal Rails Information .....2.36.0
- Horizontal Rails Front .....2.36.4
- Horizontal rail for HL handle .....2.36.6
- Horizontal Rails Rear/Central.....2.36.6
- Z and perforated rails .....2.36.11
- T – Insulation Strip .....2.36.12
- Threaded inserts. 2.36.13
- Board locking.....2.36.14
- Cable channel .....2.36.14
- Identification strip 84 HP .....2.36.14
- Identification holder .....2.36.14
- Adapter brackets 2.36.15
- Device handle .....2.36.15
- Universal handle .2.36.15
- Subrack conversion kit.....2.36.16
- Subrack conversion kit 6 U/84 HP .....2.36.17
- 6 U/2 HP partial width front panel .....2.36.17
- Subdivide Mounting Height 6 U or 9 U .2.36.18
- Notch.....2.36.21
- Shielding panel ...2.36.22
- Chassis plate .....2.36.22
- Cover plate 84 HP .....2.36.23
- Covers on the rear side .....2.36.24
- Guide rails .....2.36.26
- Printed circuit board accessories .....2.36.30
- Slide nut.....2.36.32



# europac accessories

Case ..... 2.10.0

Subrack ..... 2.20.0

europacPRO ..... 2.21.0

europacPRO

integral ..... 2.22.0

europac ..... 2.30.0

europac rational ..... 2.31.0

europac lab ..... 2.32.0

europac mobile ..... 2.33.0

europac special ..... 2.34.0

europac lab HF ..... 2.35.0

europac

accessories ..... 2.36.0

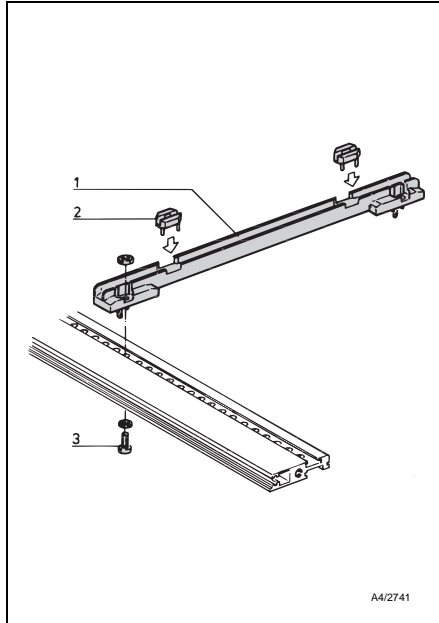
metripac ..... 2.40.0

19" chassis ..... 2.50.0

Modules ..... 2.60.0

Accessories .... 2.70.0

Appendix ..... 2.80.0

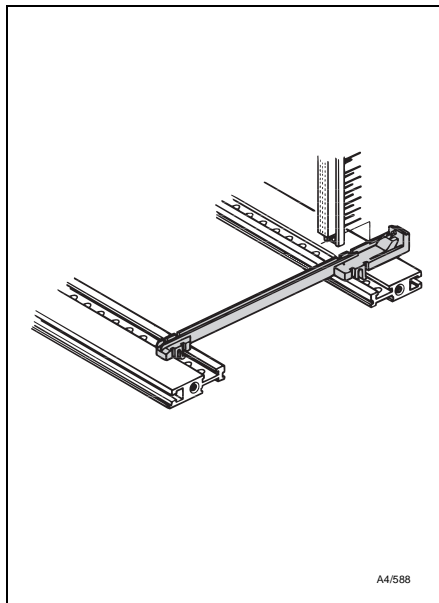


A4/2741

## Guide rail, screw on

- Anti-vibration clips for increased fixing of plug-in units
- Groove width 2 mm

Item	Qty	Description	Board height (mm)	Material	Colour	Order no.
1	1	Guide rail to screw on	160	PPO UL 94 V-0	black	<b>60817-053</b>
			220			<b>60817-083</b>
2	10	Anti-vibration clip		PPO UL 94 V-0	red	<b>21100-553</b>
	100					<b>21100-554</b>
3	1 kit (50 guide rails)	Mounting parts				<b>21100-158</b>

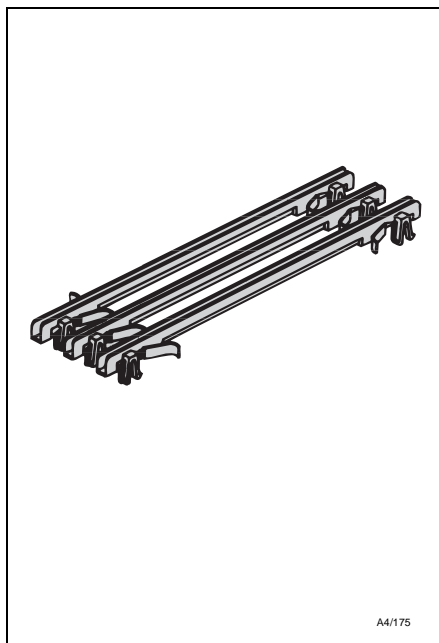


A4/588

## Guide rail with integrated connector mounting according to EN 60603

- As replacement for Z-rails or horizontal rails with Z
- for single euroboard format 100 × 160 mm or 100 × 220 mm; not suitable for double euroboard format
- Simple female connector assembly with catches
- Delivery in pairs as the top/bottom versions differ
- Groove width mm 2

Board depth (mm)	Material	Colour	Order no. (1 pair)
160	PBTB UL 94 V-0	red	<b>60817-078</b>
220			<b>60817-079</b>

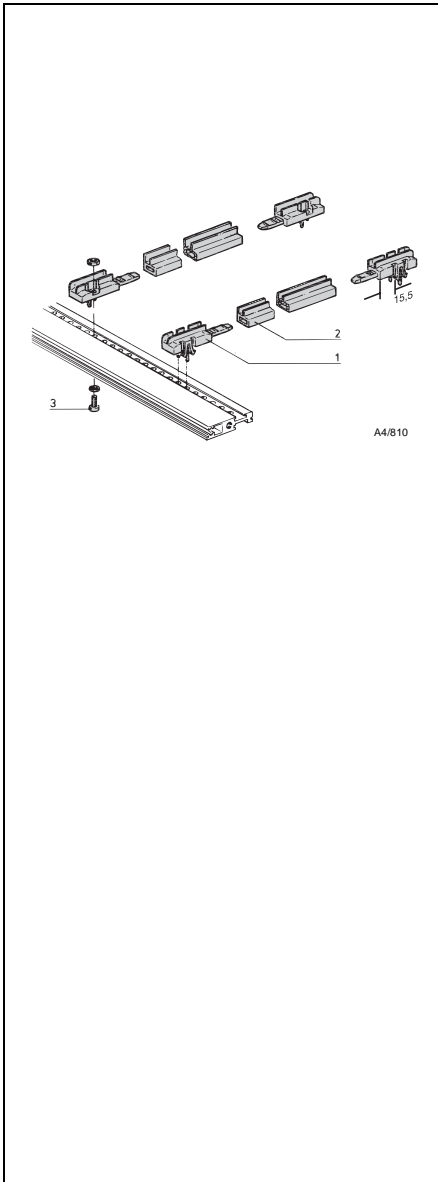


A4/175

## Guide block for 84 HP

- 3-HP grid with 28 pin positions
- 4-HP grid with 21 pin positions
- Groove width mm 2

Pitch	Board depth (mm)	Material	Colour	Order no. (1 piece)
3 HP (28)	160	PPO UL 94 V-0	grey	<b>60817-057</b>
	220			<b>60817-043</b>
4 HP (21)	220	PBTB UL 94 V-0		<b>60817-105</b>



## Universal guide rail

- 1 pair end pieces and 1 rail piece
- End pieces for engaging or screwing to the horizontal rail

Item	Qty	Description	Length (mm)	Groove width (mm)	Material/finish	Order no.
1	1 pair	End piece		2	PPO UL 94 V-0 black	<b>60817-139</b>
				2,5		<b>60817-140</b>
	End piece to screw on	2	<b>60817-091</b>			
2	1	Profile	1000	2	PPO UL 94 V-0 Aluminium extrusion anodised	<b>60817-193</b>
				2		<b>30817-446</b>
				2,5		<b>30817-001</b>
	1	Profile, prepared for board depth 160 mm	92.4	2	Aluminium extrusion, anodised	<b>30825-608</b>
1	Profile, prepared for board depth 220 mm	152,4	2	Aluminium extrusion, anodised	<b>30825-607</b>	
3	1 kit (for 50 guide rails)	Assembly part kit to screw on				<b>21100-158</b>

## Assembled universal guide rail to screw on

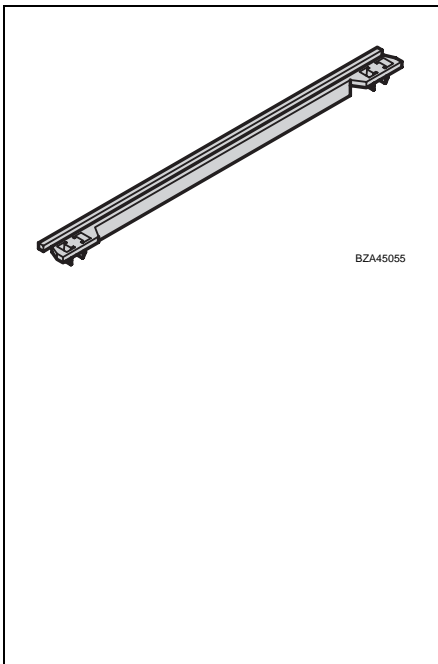
- Completely assembled for board depth 340 mm and 400 mm to screw on

Length (mm)	Groove width (mm)	Material	Order no. (1 piece)
340	2	End piece: PPO UL 94 V-0, black Middle part: Aluminium extrusion, anodised	<b>20825-120</b>
400			<b>20825-121</b>

## Guide Rail for Board Height 4.4" (111.7 mm)

### Delivery comprises

Board depth (mm)	Groove width (mm)	Material	Order no. (1 piece)
160	2	PPO UL 94 V-0, black	<b>60817-038</b>



- Horizontal Rails Information .....2.36.0
- Horizontal Rails Front .....2.36.4
- Horizontal rail for HL handle .....2.36.6
- Horizontal Rails Rear/Central.....2.36.6
- Z and perforated rails .....2.36.11
- T – Insulation Strip .....2.36.12
- Threaded inserts. 2.36.13
- Board locking.....2.36.14
- Cable channel .....2.36.14
- Identification strip 84 HP .....2.36.14
- Identification holder .....2.36.14
- Adapter brackets 2.36.15
- Device handle .....2.36.15
- Universal handle .2.36.15
- Subrack conversion kit.....2.36.16
- Subrack conversion kit 6 U/84 HP .....2.36.17
- 6 U/2 HP partial width front panel .....2.36.17
- Subdivide Mounting Height 6 U or 9 U .2.36.18
- Notch.....2.36.21
- Shielding panel ...2.36.22
- Chassis plate .....2.36.22
- Cover plate 84 HP .....2.36.23
- Covers on the rear side .....2.36.24
- Guide rails .....2.36.26
- Printed circuit board accessories .....2.36.30
- Slide nut.....2.36.32



# europac accessories

Case ..... 2.10.0

Subrack ..... 2.20.0

europacPRO ..... 2.21.0

europacPRO

integral ..... 2.22.0

europac ..... 2.30.0

europac rational ..... 2.31.0

europac lab ..... 2.32.0

europac mobile ..... 2.33.0

europac special ..... 2.34.0

europac lab HF ..... 2.35.0

europac accessories ..... 2.36.0

metripac ..... 2.40.0

19" chassis ..... 2.50.0

Modules ..... 2.60.0

Accessories .... 2.70.0

Appendix ..... 2.80.0

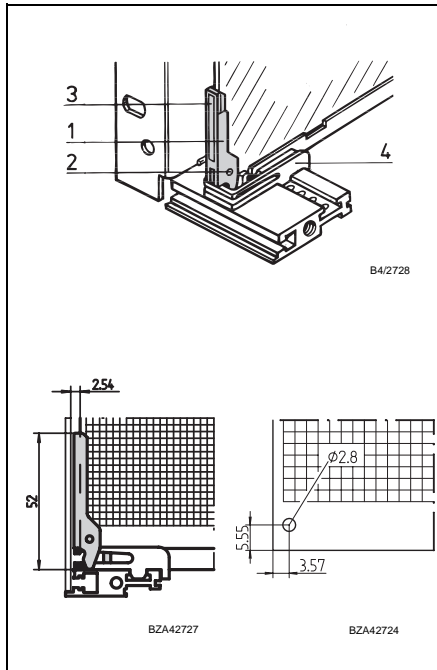
## Printed circuit board accessories

- Handles
- Retainers
- Mounting parts

## Printed circuit board handle

- For assembly to printed circuit boards only together with printed circuit board retainer A
- Insert/extraction function only together with printed circuit board retainer A
- Assembly behind front panels

Item	Qty (Piece)	Description	Material	Colour	Order no.
1	1	Printed circuit board handle	PBTP UL 94 V-0	red	<b>60817-096</b>
2	100	Assembly pin	Stainless Steel		<b>21100-671</b>
3	100	Label strips	Polyester film self-adhesive	mat silver	<b>21100-672</b>



## printed circuit board retainer A

- Assembled to upper and lower horizontal rail
- printed circuit board retainer only together with printed circuit board handle order no. **60817-096**

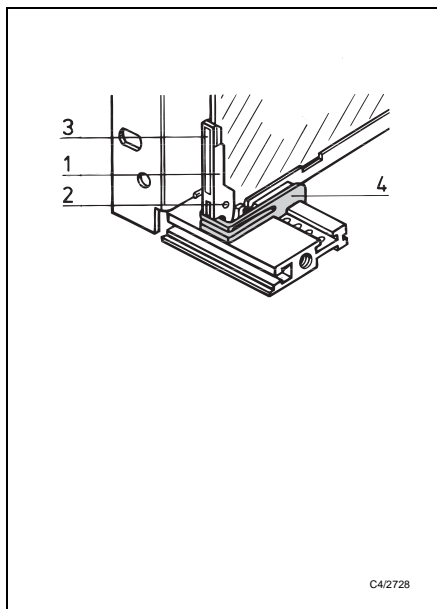
Item	Description	Material	Colour	Order No. (1 piece)
4	printed circuit board retainer A for top and bottom	PPO UL 94 V-0	red	<b>60817-097</b>

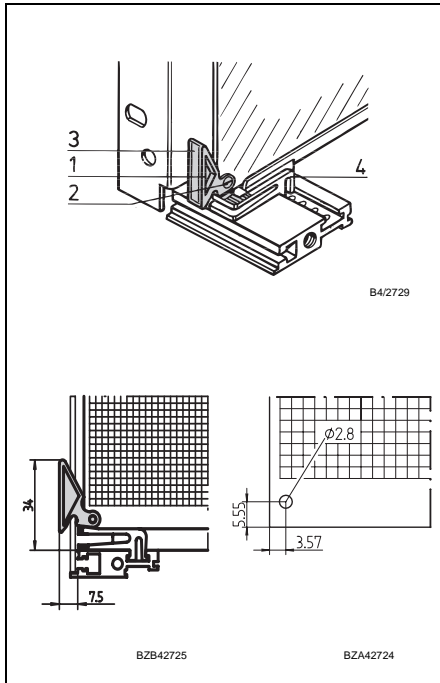
### Note

Not usable:

- with europac PRO
- for guide rails with screw connection
- with guide blocks
- with front lightweight horizontal rails with slide in cover plate

Minimum distance of guide rails 3 HP.

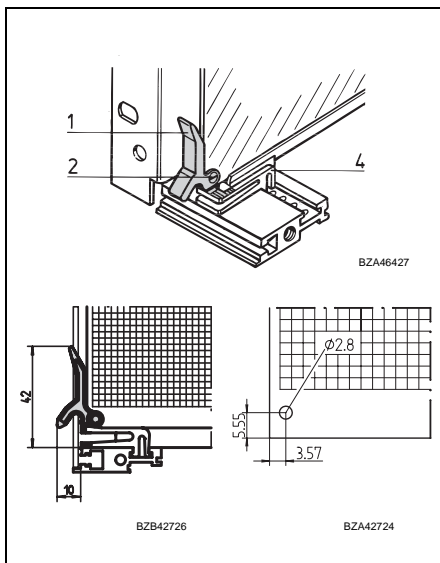




## Printed circuit board handle

- To screw on or rivet to printed circuit boards together with printed circuit board retainer B
- Only used as an extraction function, the printed circuit board retainer is also opened when the handle is operated
- Labeling option

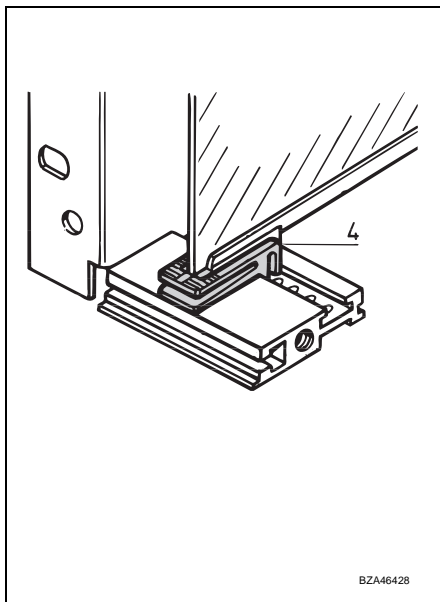
Item	Description	Material	Colour	Qty (Piece)	Order no.
1	Printed circuit board handle to screw on	PBTPUL 94 V-0	red	1	<b>60817-067</b>
	Printed circuit board handle to rivet on				<b>60817-072</b>
2	Countersunk screw M 2.5 × 6	Steel, nickel-plated DIN 965		100	<b>21100-515</b>
	Rivet A 2.5 × 7	Brass, DIN 7340			<b>21100-076</b>
3	Label strips	Polyester film self-adhesive	white	100	<b>21100-569</b>



## Printed circuit board handle

- To rivet on to printed circuit boards together with printed circuit board retainer B. Can only be used on the lower horizontal rail.
- Version only used as an extraction function, the printed circuit board retainer is also opened when the handle is operated.
- Labeling option

Item	Description	Material	Colour	Qty (Piece)	Order no.
1	Printed circuit board handle	PBTPUL 94 V-0	red	1	<b>60817-055</b>
2	Cheesehead screw with slot M 2.5 × 6	Steel, nickel-plated DIN 84		100	<b>21100-146</b>



## Printed circuit board retainer B

- Assembled to upper and lower horizontal rail
- Can also be used without a printed circuit board handle
- Can also be used with guide blocks

Item	Description	Material	Colour	Order No. (1 piece)
4	Printed circuit board retainer B bottom	PPO UL 94 V-0	red	<b>60817-054</b>
	Printed circuit board retainer B top		black	<b>60817-071</b>

**Note**  
Not usable with europac PRO.

- Horizontal Rails Information .....2.36.0
- Horizontal Rails Front .....2.36.4
- Horizontal rail for HL handle .....2.36.6
- Horizontal Rails Rear/Central.....2.36.6
- Z and perforated rails .....2.36.11
- T – Insulation Strip .....2.36.12
- Threaded inserts. 2.36.13
- Board locking.....2.36.14
- Cable channel .....2.36.14
- Identification strip 84 HP .....2.36.14
- Identification holder .....2.36.14
- Adapter brackets 2.36.15
- Device handle .....2.36.15
- Universal handle .2.36.15
- Subrack conversion kit.....2.36.16
- Subrack conversion kit 6 U/84 HP .....2.36.17
- 6 U/2 HP partial width front panel .....2.36.17
- Subdivide Mounting Height 6 U or 9 U .2.36.18
- Notch.....2.36.21
- Shielding panel ...2.36.22
- Chassis plate .....2.36.22
- Cover plate 84 HP .....2.36.23
- Covers on the rear side .....2.36.24
- Guide rails.....2.36.26
- Printed circuit board accessories .....2.36.30
- Slide nut.....2.36.32





# europac accessories

Case ..... 2.10.0

Subrack ..... 2.20.0

europacPRO ..... 2.21.0

europacPRO

integral ..... 2.22.0

europac ..... 2.30.0

europac rational ..... 2.31.0

europac lab ..... 2.32.0

europac mobile ..... 2.33.0

europac special ..... 2.34.0

europac lab HF ..... 2.35.0

europac accessories ..... 2.36.0

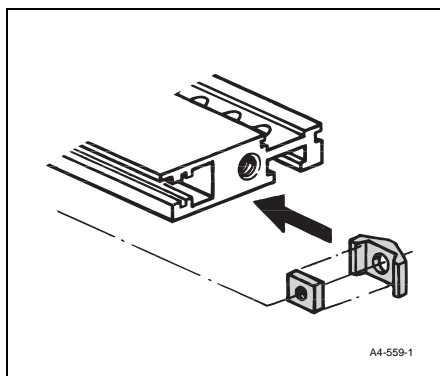
metripac ..... 2.40.0

19" chassis ..... 2.50.0

Modules ..... 2.60.0

Accessories .... 2.70.0

Appendix ..... 2.80.0


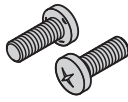









## Slide nut

Flexible mounting possibility on horizontal rail

Material: Square nut made of steel; slide made of polyamide

Dimension		Surface	Square nut with slide	
			1 kit =	Order no.
M 2.5	SW 5	nickel-plated	100	<b>21100-425</b>
	SW 7	zinc-plated	100	<b>21100-112</b>
M 3	SW 7	zinc-plated	100	<b>21100-289</b>
			100	<b>21100-087</b>
M 4	SW 7	nickel-plated	20	<b>21100-083</b>

Description	Use	Dimensions	Surface	Order no.1 kit (100 pieces)
Cheesehead screw with hexagon socket and low profile, head  AZA45184	Horizontal rails to the side panel	M 5 × 12	zinc-plated	<b>21101-057</b>
Taptite screw pozidrive, selflocking  AZA45183	Horizontal rails to the side panel	M 5 × 12	zinc-plated	<b>21100-788</b>
Taptite screw with hexagon socket  AZA45184	Horizontal rails to the side panel			<b>21100-457</b>
Grub screw, DIN 553  AZA45181	Threaded inserts on horizontal rails	M 2.5 × 8	nickel-plated	<b>21100-276</b>
Hexagon nut, DIN 934  AZA43239		M 3	zinc-plated	<b>21100-219</b>
		M 4	zinc-plated	<b>21100-211</b>
Plastic washer (ABS) M 6  AZA43666	19"-chassis	M 6	Colour: black	<b>21100-016</b>
	19" front panel			
Washer, plain  AZA45178	19"-chassis	A 6.4	nickel-plated	<b>21100-008</b>
	19" front panel			
Washer, bevel  AZA43666	19"-chassis	B 6.4	bright chrome (acrolite method)	<b>21100-104</b>
	19" front panel			
Shakeproof washer  AZA45180		A 3	zinc-plated	<b>21100-206</b>
		A 4	zinc-plated	<b>21100-207</b>