

RC element 48...127 V AC, 70...150 V DC Surge suppressor For mounting onto contactors Size S00 !!!  
 Phased-out product !!! Successor is SIRIUS 3RT2  
 Preferred successor type is >>3RT2916-1CC00<<



Figure similar

General technical data:		
Product brand name		SIRIUS
Product designation		surge suppressor
Design of the surge suppressor		with RC elements
Control circuit/ Control:		
Type of voltage of the control supply voltage		AC/DC
Control supply voltage frequency		
• 1 rated value	Hz	50
• 2 rated value	Hz	60
Control supply voltage 1		
• at DC		
— Initial rated value	V	70
— Final rated value	V	150
• at AC		
— at 50 Hz Initial rated value	V	48
— at 50 Hz Final rated value	V	127
— at 60 Hz Final rated value	V	127

— at 60 Hz Initial rated value

V

48

Certificates/ approvals:

General Product Approval	EMC	Functional Safety/Safety of Machinery	Declaration of Conformity
--------------------------	-----	---------------------------------------	---------------------------



[Type Examination Certificate](#)



Declaration of Conformity	Test Certificates	Shipping Approval
---------------------------	-------------------	-------------------

[Miscellaneous](#)

[Special Test Certificate](#)



other	Railway
-------	---------

[Confirmation](#)

[Miscellaneous](#)

[Special Test Certificate](#)

Further information

**Information- and Downloadcenter (Catalogs, Brochures,...)**

<http://www.siemens.com/industrial-controls/catalogs>

**Industry Mall (Online ordering system)**

<http://www.siemens.com/industrymall>

**Cax online generator**

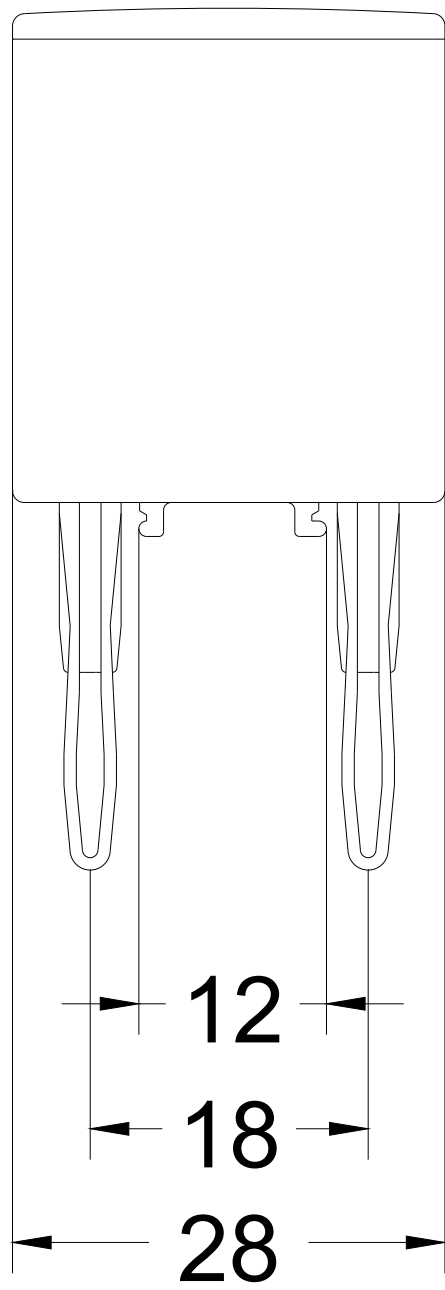
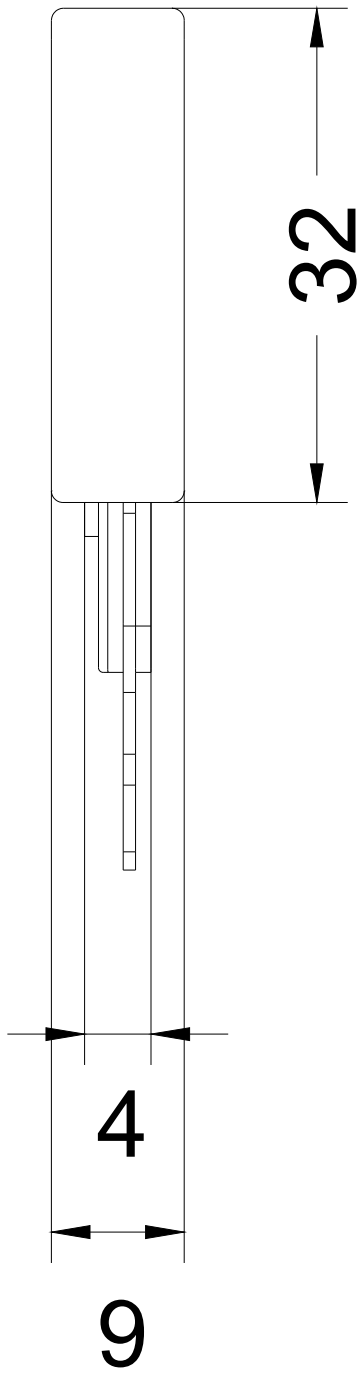
<http://support.automation.siemens.com/WW/CAXorder/default.aspx?lang=en&mfb=3RT1916-1CC00>

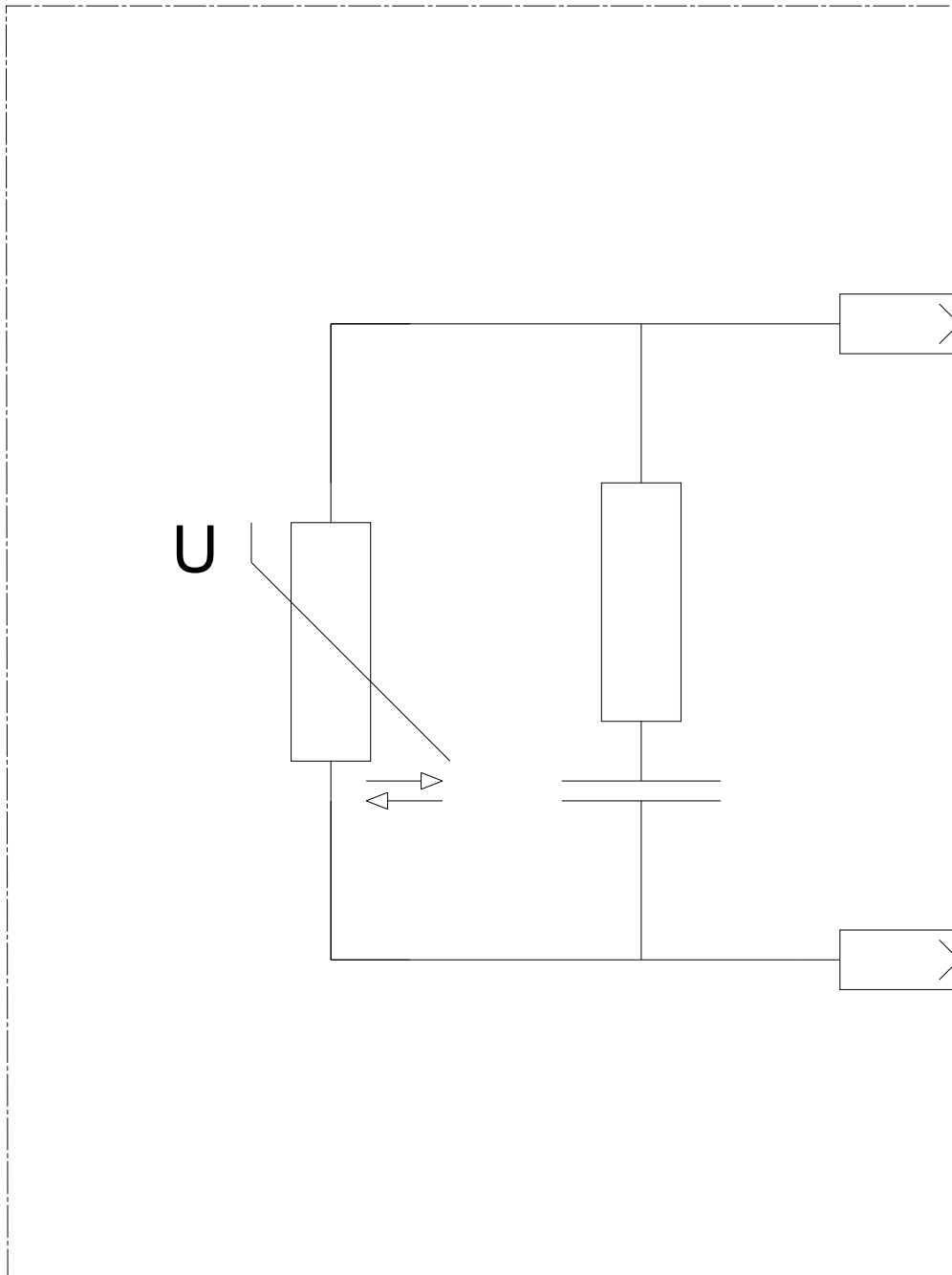
**Service&Support (Manuals, Certificates, Characteristics, FAQs,...)**

<https://support.industry.siemens.com/cs/ww/en/ps/3RT1916-1CC00>

**Image database (product images, 2D dimension drawings, 3D models, device circuit diagrams, EPLAN macros, ...)**

[http://www.automation.siemens.com/bilddb/cax\\_de.aspx?mfb=3RT1916-1CC00&lang=en](http://www.automation.siemens.com/bilddb/cax_de.aspx?mfb=3RT1916-1CC00&lang=en)





last modified:

09/17/2019