



- Wide-Angle Visibility
- UL Recognized
- Phenolic Cases with Clear Acrylic Windows
- Distinctive Case Styles
- Three Popular Sizes: 2-1/2", 3-1/2", and 4-1/2"
- Optional Bezel and Illumination Kits



Model Number	Size	Meter Movement
1257	2-1/2"	Iron-Vane
1357	3-1/2"	Iron-Vane
1359	4-1/2"	Iron-Vane

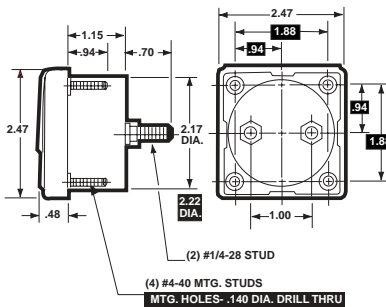
Molded in a black phenolic case, this distinctive style meter with clear acrylic window provides wide angle visibility and can either be surface mounted or bezel mounted (semi-flush mount) with one of Simpson's Wide-Vue bezel kits. Available in three standard sizes of 2-1/2", 3-1/2", and 4-1/2", the Wide-Vue is ideal for reliable measurement of AC current ranges between 1 and 300 amps or 10 and 500 milliamps. In addition, Simpson offers dual range units in 3-1/2

and 4-1/2" sizes that measure both 0-150 volts and 0-5 amps on one dial. AC meters measuring current inputs between 5 and 50 amps can be ordered as self-contained units or as 5 amp panel meters to be used with an optional external transformer. Current inputs above 75 amps must be used with an external transformer. All units are guaranteed to  $\pm 2\%$  full scale (F.S.) accuracy and meet American National Standards Institute specification ANSI C39.1.

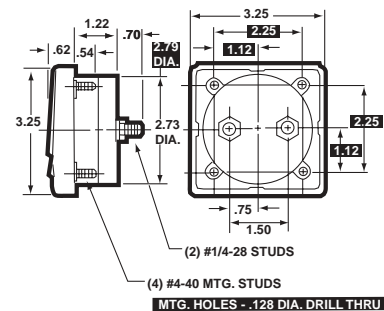
### Dimensions and Compatibility

1 = Panel Meter Cut-out Dimensions

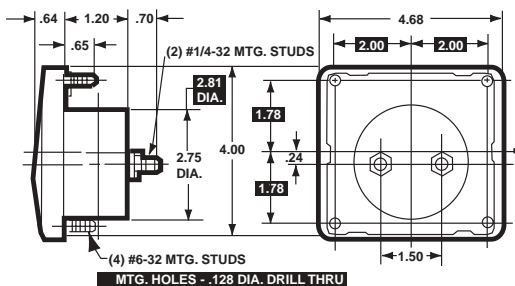
2-1/2"-Model 1257



3-1/2"-Model 1357



4-1/2"-Model 1359



### Compatibility Reference Table

Manufacturer	Size/Model		
	2-1/2"	3-1/2"	4-1/2"
Crompton			
Celebrity	223	225	227
Challenge	362	363	364
Clearvu	233	235	237
Hoyt 3100	3125	3135	3145
Modutec			
S Series	2S-	3S-	4S-
PB Series	2PB*	3PB*	4PB
Triplett G Series	220-G	320-G	420-G
Weston 2000 Series	2021	2031	2041
Yokogawa			
Big Look	250-2 OPT.	250-3 OPT.	250-4 OPT. 1
Horizon	251-210	251-310	251-410

\*Modutec uses a three-stud mount.

## Specifications

<b>Accuracy:</b>	±2% F.S.
<b>Movement:</b>	Iron-vane, magnetically damped
<b>Suspension:</b>	Pivot and jewel
<b>Tracking:</b>	±3%
<b>Shielding:</b>	Calibration is unaffected by magnetic panel mounting.
<b>Response Time:</b>	1.5 seconds maximum
<b>Overload (1 sec.):</b>	10 times F.S.
<b>Overload (Continuous):</b>	1.5 times F.S.
<b>Repeatability:</b>	2%

<b>Dial:</b>	Sharp clear scale. Each dial arc is calibrated to track the specific type of movement used.
<b>Resistance:</b>	±15%
<b>Operating Temperature:</b>	-4°F to +149°F (-20°C to +65°C)
<b>Case:</b>	High density black phenolic
<b>Pointer:</b>	Spade Pointer, with black matte finish
<b>Scale Length:</b>	Model 1257: 2.30" (58.4mm); Model 1357: 3.14" (79.9mm) Model 1359: 3.93" (100mm)
<b>Net Weight:</b>	Model 1257: 4oz (0.11kg); Model 1357: 8oz (0.14kg) Model 1359: 8oz (0.14kg)

## Ordering Information

### AC Milliammeters Iron-Vane Type Movement

Range	Approx. Impedance (ohms) @ 60Hz	Model/Size and Catalog Number		
		2-1/2" Model 1257	3-1/2" Model 1357	4-1/2" Model 1359
0-10	1,650	06294	06625	06665
0-50	80	06295	06630	06670
0-100	17.2	06296	06640	06680
0-250	3.15	06297	06650	06690
0-500	0.9	06300	06660	06699

### AC Current Meters Iron-Vane Type Movement

Range	Approx. Impedance (ohms) @ 60Hz	Model/Size and Catalog Number		
		2-1/2" Model 1257	3-1/2" Model 1357	4-1/2" Model 1359
0-1	.213	02560	03130	03260
0-1.5	.105	02570	03140	03270
0-2	.065	<>	03150	03280
0-3	.028	02575	03160	03290
0-5	.008	02580	03170	03300
0-10	.004	02590	03180	03310
0-10	.008	<>	35073†	35077†
0-15	.0025	02599	03190	03320
0-25	.002	02609	03200	03330
0-25	.008	<>	35074†	35078†
0-30	.0015	02615	03205	03335
0-50	.001	02619	03210	03340
0-50	.008	<>	35075†	35079†
0-75	.0002	<>	03215	03345
0-75	.008	<>	35076†	35080†
0-100	.008	02622†	03220†	03350†
0-150	.008	02624†	03230†	03360†
0-200	.008	02626†	03240†	03370†
0-300	.008	02627†	03250†	03380†

### AC Dual Range Ammeter/Voltmeter

Range	Approx. Impedance (ohms) @ 60Hz	Model/Size and Catalog Number		
		2-1/2" Model 1257	3-1/2" Model 1357	4-1/2" Model 1359
0-150V and 0-5A	15030 and .021	—	03129	03259

†These meters are 5 amp meters to be used with an external current transformer. See accessory panel to the right. Additional current transformer ranges can be achieved through wrapping the primary and secondary wires. (See page E23 in the accessory section for details.) <> Available on special order.

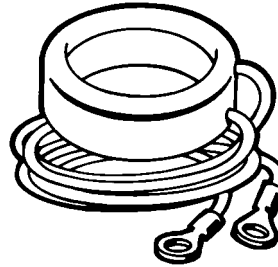
## Function Reference Table

For your convenience, the table below lists Wide-Vue models for other electrical monitoring functions and page reference.

Function	Section	Page
AC Voltage	E	31
DC Current	E	51
DC Voltage	E	71
Watts	E	105

## Accessories

### Donut Transformer

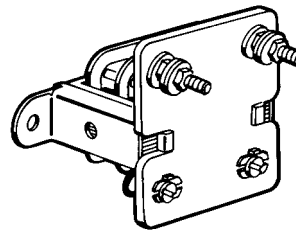


### Ordering Information

Range/Amps		Number
Catalog Primary	Secondary	
50	5	01293
75	5	01306
100	5	01297
150	5	01298
200	5	01299
250	5	01313
300	5	01300
400	5	01305
500	5	01301
600	5	02303
750	5	02459
1000	5	02304

A Donut Current Transformer enables current meters to monitor AC Current up to 1000 amps. The Donut (also known as a "Toroid") is placed around one of the legs of the device being monitored, and emits up to a 5 amp signal. Each Donut Transformer, rated at 2 volt amps, comes with 2' long secondary leads.

### Model 186 Current Transformer



### Ordering Information

Range	VA	Catalog Number
0-5 amp	0.75	01312
0-10 amp	1.45	01314
0-15 amp	1.05	01315
0-20 amp	1.04	01316
0-25 amp	1.50	01317
0-30 amp	1.10	01318
0-40 amp	1.09	01319
0-50 amp	1.90	01321
0-100mA	0.50	01295
0-500mA	0.53	01304

Model 186 Current Transformers easily convert a current signal (up to 50 A) into a 0-10 AC volt signal and transmit the signal over a long distance. This allows remote monitoring of a process or application. These units can be coupled with a Donut Current Transformer if a high current rating (up to 1000 amps) is to be monitored at a remote location.

### Wide-Vue Bezel and Illumination Kits

Bezels are available for Wide-Vue style meters to give your equipment a modern appearance. Bezels are die cast with an attractive black satin finish and are designed for behind panel mounting on material thickness of 1/8" to 3/16". Bezel kits include all mounting hardware and can be ordered with meters or separately. Illumination Kits are available for the 4-1/2" meters. The kit includes a pair of 6.3 volt bulbs, .25 amps. The bulbs are mounted above the meter, and are designed to be used with the bezel kits. The kit illuminates the meter for ease of reading in dark areas. For more Detailed Information see the Accessory section.

Model Number	Catalog Number
1357 (3-1/2") Bezel	01253
1359 (4-1/2") Bezel	01123
1359 Illumination Kit	01165