

4

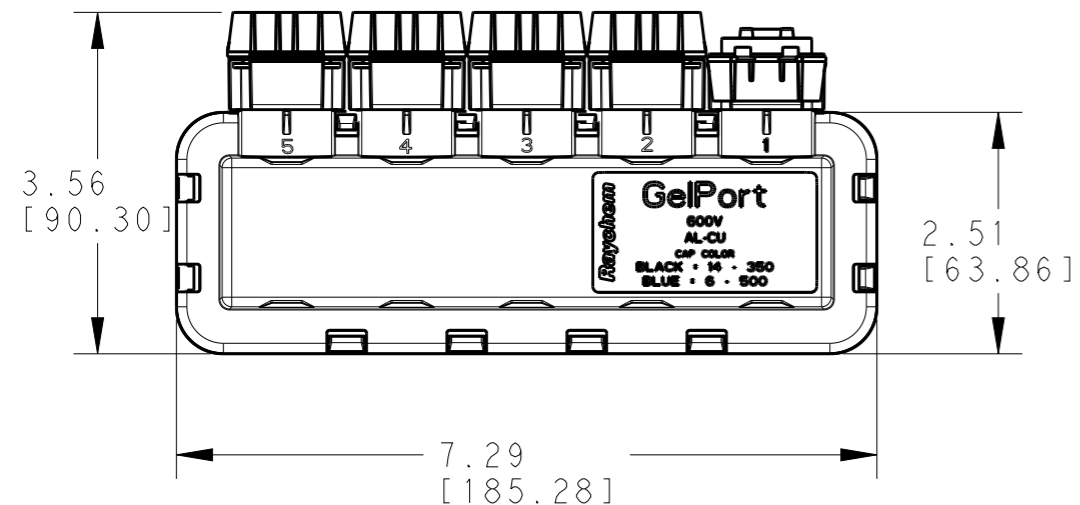
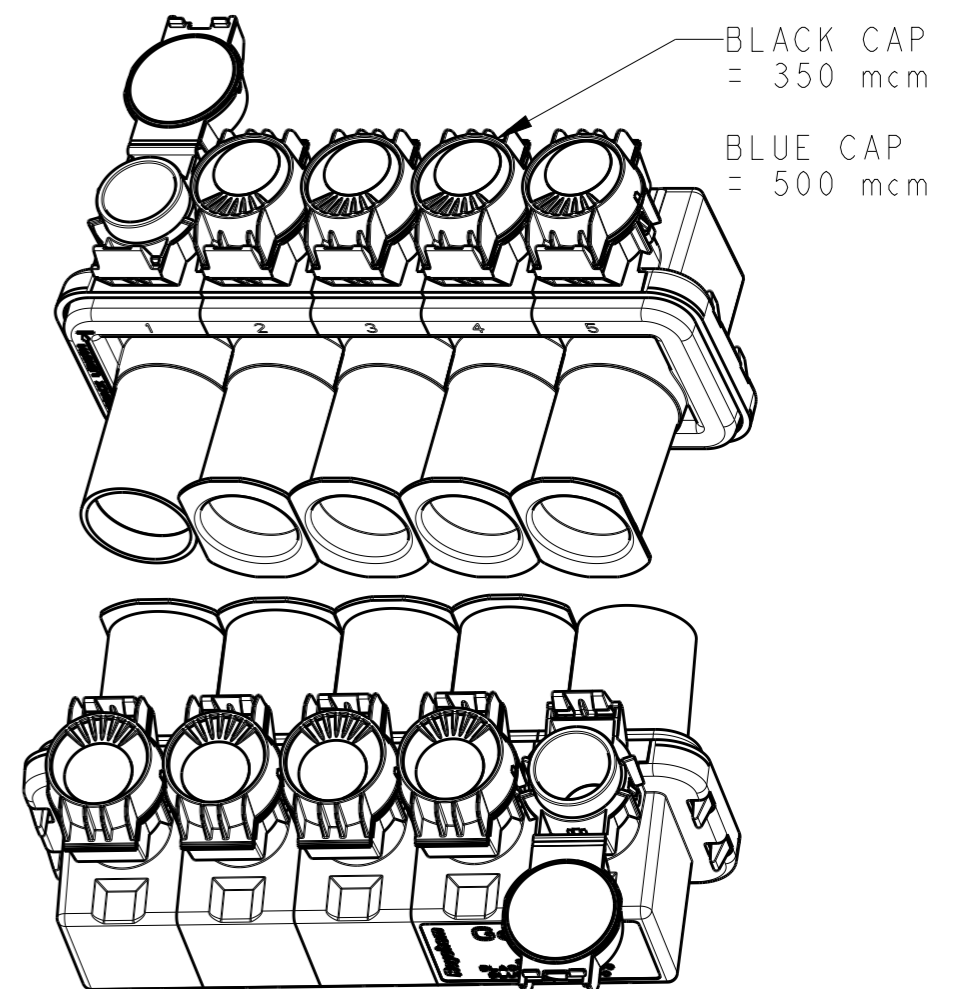
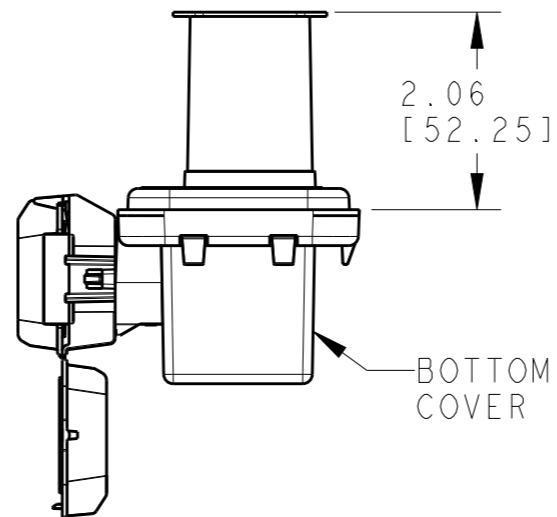
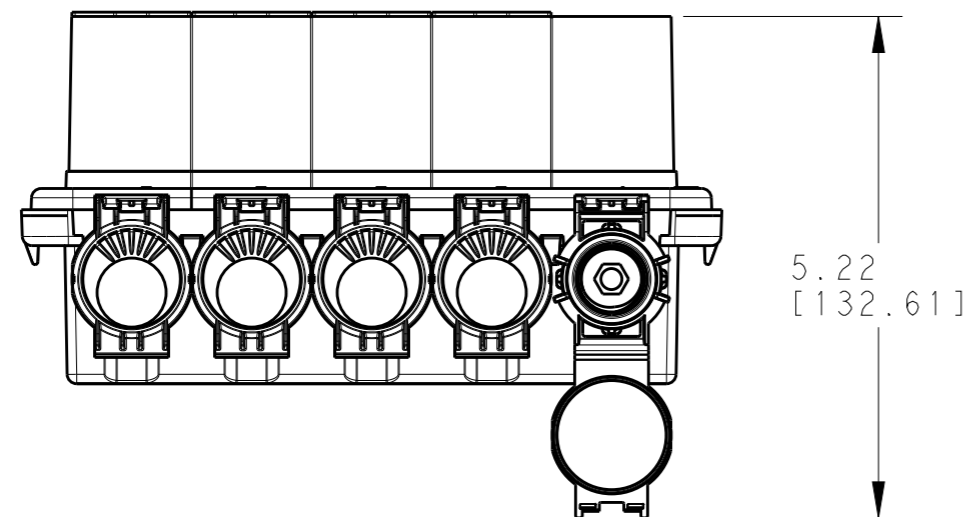
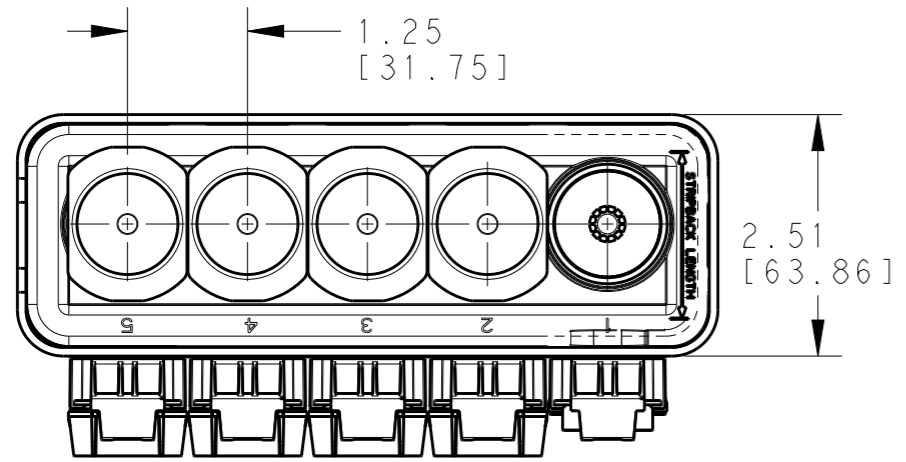
3

2

1

THIS DRAWING IS UNPUBLISHED. RELEASED FOR PUBLICATION 20  
 © COPYRIGHT 20 BY - ALL RIGHTS RESERVED.

LOC	DIST	REVISIONS			
P	LTR	DESCRIPTION	DATE	DWN	APVD
-	-	A	RELEASE PER RTS# 793000	13MAY2013	SW JN GP



RAYCHEM P/N	DESCRIPTION	BOTTOM COVER	NO. of PORTS
E17231-000	GPRT-350-5P(B6)	BLACK	5 (350 mcm)
CA1258-000	GPRT-350-5P-C(B6)	CLEAR (C)	5 (350 mcm)
C14728-000	GPRT-350/4P-500/1P(B6)	BLACK	4 (350 mcm) 1 (500 mcm)
CA1261-000	GPRT-350/4P-500/1P-C-B6	CLEAR (C)	4 (350 mcm) 1 (500 mcm)
CU3981-000	GPRT-350/4P-5001PC-ES-B6	CLEAR/EXTRA PLATE (ES)	4 (350 mcm) 1 (500 mcm)

THIS DRAWING IS A CONTROLLED DOCUMENT.		DWN YASHKUMAR 18APR2013		
DIMENSIONS: INCHES [mm]		CHK J. NEWMAN 18APR2013		
TOLERANCES UNLESS OTHERWISE SPECIFIED:		APVD G. PULLIUM 18APR2013	NAME GELPORT 5 PORT	
0 PLC ±- 1 PLC ±0.1 2 PLC ±0.01 3 PLC ±0.005 4 PLC ± ANGLES ±-		PRODUCT SPEC -	RESTRICTED TO -	
MATERIAL -		APPLICATION SPEC -	SIZE A3	CAGE CODE 00779
FINISH -		WEIGHT -	DRAWING NO C-SCD-N919	
		CUSTOMER DRAWING	SCALE 1:2	SHEET 1 OF 1 REV A