

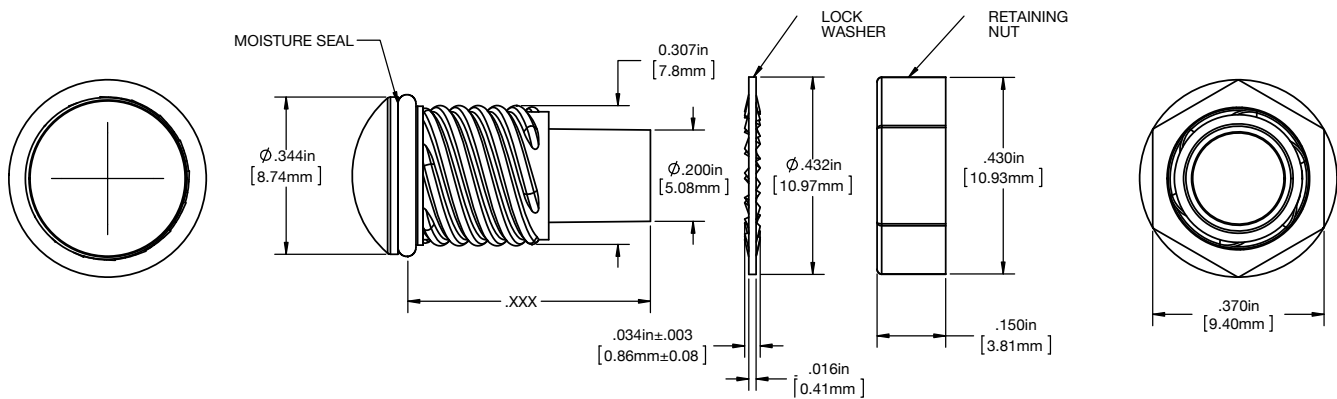


LCS Series 0.500" (12.7mm) 5mm Threaded Moisture Sealed Rigid Light Pipe



Notes

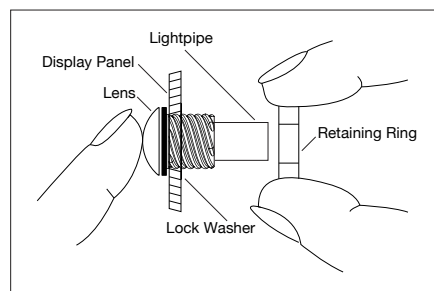
1. Mounting: Mounts in a $\text{Ø } .312" \pm .002"$ ($\text{Ø } 7.92\text{mm} \pm 0.051$) panel hole on $.500"$ (12.7mm) centers. Panel thickness $.031"$ (.8mm) to $.125"$ (3.18mm). Panel hole shall be deburred, but not chamfered.
2. Assembly: Insert lightpipe through the panel hole, slide lock washer onto lens barrel on lightpipe and twist on retaining ring. Slide PCB into position aligning LED with the end of the lightpipe unit.
3. Material: Lightpipe - Acrylic (Clear optical grade) UL 94-HB
 Lens - Polycarbonate UL 94-V2
 Seal - EPDM
 Lock Washer - FH Steel, Nickel Plate
 Retaining Nut - Thermoplastic (white) UL 94-V0
4. Meets NEMA 6P/IP 67 standards



Ordering Code: LCS

Lightpipe	
	Length
032	.320"
052	.520"
072	.720"
092	.920"
112	1.12"
132	1.32"
177	1.77"

Lens	
	Color
RTP	Red Transparent
ATP	Amber Transparent
GTP	Green Transparent
BTP	Blue Transparent
YTP	Yellow Transparent
CTP	Clear Transparent



Dimensions Style Inches [mm] General Tolerances Unless Otherwise Specified		
	Inches	mm
.X	$\pm .020$	$\pm .508$
.XX	$\pm .015$	$\pm .381$
.XXX	$\pm .005$	$\pm .127$
Angle $\pm 1^\circ$		
Break All Corners And Sharp Edges .030 max.		
 Third Angle Projection		