

## SAI-M23-BE-6

Weidmüller Interface GmbH &amp; Co. KG

Klingenbergstraße 26

D-32758 Detmold

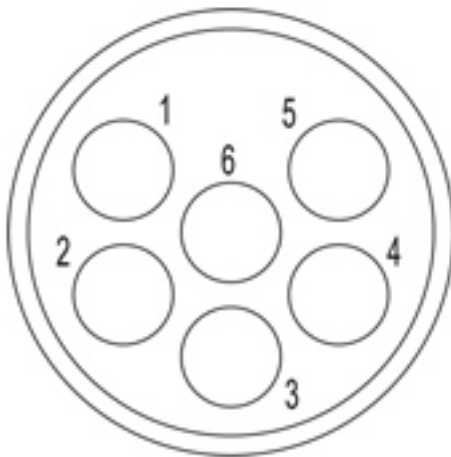
Germany

Fon: +49 5231 14-0

Fax: +49 5231 14-292083

www.weidmueller.com

## Pinning



The M23 round plug-in connectors offer a high number of mating cycles, high current-carrying capacity and high contact-density coupled with minimum dimensions. Enclosures, inserts and crimp contacts need to be ordered separately.

## General ordering data

Type	SAI-M23-BE-6
Order No.	<a href="#">1170020000</a>
Version	Sensor/Actuator plug-in connector, Insert
GTIN (EAN)	4032248962020
Qty.	1 pc(s).

**Data sheet**

**SAI-M23-BE-6**

**Weidmüller Interface GmbH & Co. KG**  
 Klingenbergstraße 26  
 D-32758 Detmold  
 Germany  
 Fon: +49 5231 14-0  
 Fax: +49 5231 14-292083  
 www.weidmueller.com

**Technical data**

**Dimensions and weights**

Net weight 5 g

**Temperatures**

Operating temperature, max. 125 °C      Operating temperature, min. -40 °C

**Standards**

Certificate No. (UR) E344862

**General data**

Coding	none	Conductor O.D.	-
Connection thread	M23	Contact number / diameter	6 x 2 mm
Design	Female	Fire behaviour	V-0
Housing main material	Thermoplastic polyamide PA 6, PBT	Insulation strength	> 10 <sup>10</sup> Ω
Number of poles	6	Plugging cycles	> 1000
Rated current	2 mm contact= 20 A	Rated voltage (text)	2 mm contact= 300 V
Type of connection	Crimp connection		

**Classifications**

ETIM 6.0	EC000438	ETIM 7.0	EC000438
eClass 9.1	27-44-02-05	eClass 10.0	27-44-02-23

**Product information**

Product information Enclosures, inserts and crimp contacts need to be ordered separately.

**Approvals**

Approvals



ROHS Conform

**Downloads**

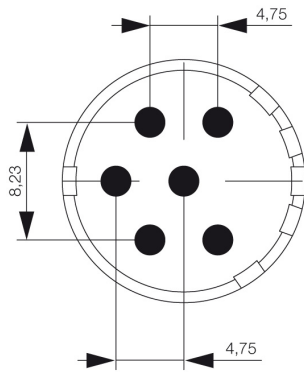
Brochure/Catalogue [CAT 8 SAI 15/16 EN](#)  
[FL FIELDWIRING EN](#)

**SAI-M23-BE-6**

**Weidmüller Interface GmbH & Co. KG**  
 Klingenbergstraße 26  
 D-32758 Detmold  
 Germany  
 Fon: +49 5231 14-0  
 Fax: +49 5231 14-292083  
 www.weidmueller.com

**Drawings**

**Dimensioned drawing**



Technical data

Number of positions	6	7	9	12	16	17	19		
Number of contacts	6	7	8	1	12	16	17	16	3
Contact	mm	2	2	1	2	1	1	1	1,5