

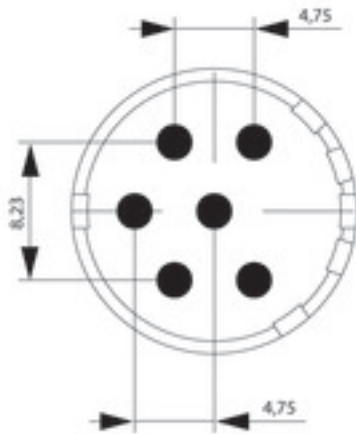
SAI-M23-SE-6-F**Weidmüller Interface GmbH & Co. KG**

Klingenbergstraße 26

D-32758 Detmold

Germany

www.weidmueller.com



The M23 round plug-in connectors offer a high number of mating cycles, high current-carrying capacity and high contact-density coupled with minimum dimensions. Enclosures, inserts and crimp contacts need to be ordered separately.

General ordering data

Version	Sensor/Actuator plug-in connector
Order No.	1224000000
Type	SAI-M23-SE-6-F
GTIN (EAN)	4050118007978
Qty.	1 pc(s).

Creation date December 5, 2023 9:55:30 AM CET

Catalogue status 24.11.2023 / We reserve the right to make technical changes.

SAI-M23-SE-6-F

Weidmüller Interface GmbH & Co. KG

Klingenbergstraße 26

D-32758 Detmold

Germany

www.weidmueller.com

Technical data

Dimensions and weights

Net weight 8 g

Technical data customisable plug-in connectors

Coding	none	Contact material	Copper-Zinc alloy
Contact surface	Gold-plated	Housing main material	Thermoplastic polyamide PA 6, PBT
Number of poles	6	Plugging cycles	> 1000
Pollution severity	3	Rated current	20 A
Rated voltage	300 V	Type of connection	Solder cups

Classifications

ETIM 6.0	EC000438	ETIM 7.0	EC003557
ETIM 8.0	EC003557	ETIM 9.0	EC003557
ECLASS 9.1	27-44-02-05	ECLASS 10.0	27-44-02-23
ECLASS 11.0	27-44-02-23	ECLASS 12.0	27-44-02-23
ECLASS 13.0	27440223		

Environmental Product Compliance

REACH SVHC Lead 7439-92-1

Approvals

Approvals



ROHS	Conform
UL File Number Search	UL Website
Certificate No. (UR)	E344862

Downloads

Catalogues	Catalogues in PDF-format
Brochures	FL FIELDWIRING EN FL FIELDWIRING EN

Data sheet

SAI-M23-SE-6-F

Weidmüller Interface GmbH & Co. KG
Klingenbergstraße 26
D-32758 Detmold
Germany

www.weidmueller.com

Drawings

